

# *The Ultra<sup>TM</sup> Enterprise<sup>TM</sup> 10000 Server*

---

*Technical White Paper*



© 1997 Sun Microsystems, Inc.—Printed in the United States of America.  
2550 Garcia Avenue, Mountain View, California 94043-1100 U.S.A

All rights reserved. This product and related documentation is protected by copyright and distributed under licenses restricting its use, copying, distribution and decompilation. No part of this product or related documentation may be reproduced in any form by any means without prior written authorization of Sun and its licensors, if any.

Portions of this product may be derived from the UNIX<sup>®</sup> and Berkeley 4.3 BSD systems, licensed from UNIX<sup>®</sup> Systems Laboratories, Inc. and the University of California, respectively. Third party font software in this product is protected by copyright and licensed from Sun's Font Suppliers.

RESTRICTED RIGHTS LEGEND: Use, duplication, or disclosure by the government is subject to restrictions as set forth in subparagraph (c)(1)(ii) of the Rights in Technical Data and Computer Software clause at DFARS 252.227-7013 and FAR 52.227-19.

The product described in this manual may be protected by one or more U.S. patents, foreign patents, or pending applications.

#### TRADEMARKS

Sun, Sun Microsystems, the Sun logo, SunService, Solstice, Solstice DiskSuite, SyMON, SunTrust, SBus, OpenWindows, Ultra, Ultra Enterprise, Gigaplane, and Gigaplane-XB are trademarks or registered trademarks of Sun Microsystems, Inc. in the United States and other countries. All SPARC trademarks are used under license and are trademarks or registered trademarks of SPARC International, Inc. in the United States and other countries. Products bearing SPARC trademarks are based upon an architecture developed by Sun Microsystems, Inc. UNIX is a registered trademark in the United States and other countries, exclusively licensed through X/Open Company, Ltd. X/Open is a registered trademark, and the "X" device is a trademark, of the X/Open Company, Ltd.

THIS PUBLICATION IS PROVIDED "AS IS" WITHOUT WARRANTY OF ANY KIND, EITHER EXPRESS OR IMPLIED, INCLUDING, BUT NOT LIMITED TO, THE IMPLIED WARRANTIES OF MERCHANTABILITY, FITNESS FOR A PARTICULAR PURPOSE, OR NON-INFRINGEMENT.

THIS PUBLICATION COULD INCLUDE TECHNICAL INACCURACIES OR TYPOGRAPHICAL ERRORS. CHANGES ARE PERIODICALLY ADDED TO THE INFORMATION HEREIN; THESE CHANGES WILL BE INCORPORATED IN NEW EDITIONS OF THE PUBLICATION. SUN MICROSYSTEMS, INC. MAY MAKE IMPROVEMENTS AND/OR CHANGES IN THE PRODUCT(S) AND/OR THE PROGRAM(S) DESCRIBED IN THIS PUBLICATION AT ANY TIME.



Please  
Recycle

# Contents

---

<b>1. Introduction</b> .....	<b>1</b>
<b>2. Hardware Architecture</b> .....	<b>5</b>
The Ultra Enterprise 10000 Server Features and Capabilities ..	5
Independently Configured System Boards .....	6
UltraSPARC™ Port Architecture and the Gigaplane-XB™ Interconnect .....	7
Data and Address Routing .....	9
Scalable Symmetric Multiprocessing .....	9
Mainframe-Style Partitioning via Dynamic System Domains ..	10
UltraSPARC Processors/Processor Modules .....	12
Power Supply Redundancy and Hot Swap .....	12
Memory System .....	13
Input/Output Modules and SBus .....	14
Network and Peripheral Connectivity With SBus .....	16
<b>3. Enterprise 10000 RAS Architecture</b> .....	<b>19</b>
System Service Processor (SSP) .....	19

---

Power On Self Test (POST) .....	20
Hostview .....	20
Dynamic Reconfiguration and System Board Hot Swap .....	21
SNMP Support and the Management Information Base (MIB) .	22
Network Console (NetCon) .....	22
SunTrust™ RAS Capabilities .....	23
<b>4. Ultra Enterprise 10000 Software Architecture .....</b>	<b>25</b>
System Software .....	25
Software Development .....	26
Application Software .....	27
Meeting the Requirements of Production Business Environments	27
<b>5. Summary .....</b>	<b>29</b>

# Introduction

---



Sun Microsystems leads the world in providing the powerful symmetric multiprocessing servers that form the heart of today's enterprise networks. Building on this tradition of excellence, Sun invests its next generation of servers with even more performance, plus innovations in reliability, availability, and serviceability.

The Ultra™ Enterprise™ 10000 server is at the head of Sun Microsystem's Ultra Enterprise X000 family of servers, a comprehensive series of powerful, expandable, highly reliable servers for network computing. Like its companions in the series, the Enterprise 10000 is built around an uncompromised scalable symmetric multiprocessing (SMP) architecture. It offers the highest CPU, memory, and interconnect performance in its class yet is fully compatible with all applications and software tools written for the Ultra Enterprise series.

The Ultra Enterprise servers extend the performance of traditional network servers using key technologies such as UltraSPARC™ processors, a new interconnect architecture, hot-swap components (including processor boards) and a host of other features that improve reliability, availability, and serviceability.

With up to 64 processors, 64 Gbytes of memory, over 20 Tbytes of online disk, and the widest range of UNIX® application software, the Enterprise 10000 server offers a straightforward path into client/server open systems. Importantly, it preserves existing investments in mainframe systems through a suite of connectivity and interoperability products.

The Enterprise 10000 provides scalable computing power for the vast range of existing applications for Solaris™ platforms, including the entire Ultra X000 Series.

The Ultra Enterprise 10000 server offers a cost-effective alternative to traditional mainframes for production data processing environments. It is an ideal application/data server for host-based or client/server applications like online transaction processing (OLTP), decision support systems (DSS), data warehousing, communications services, or multimedia services.

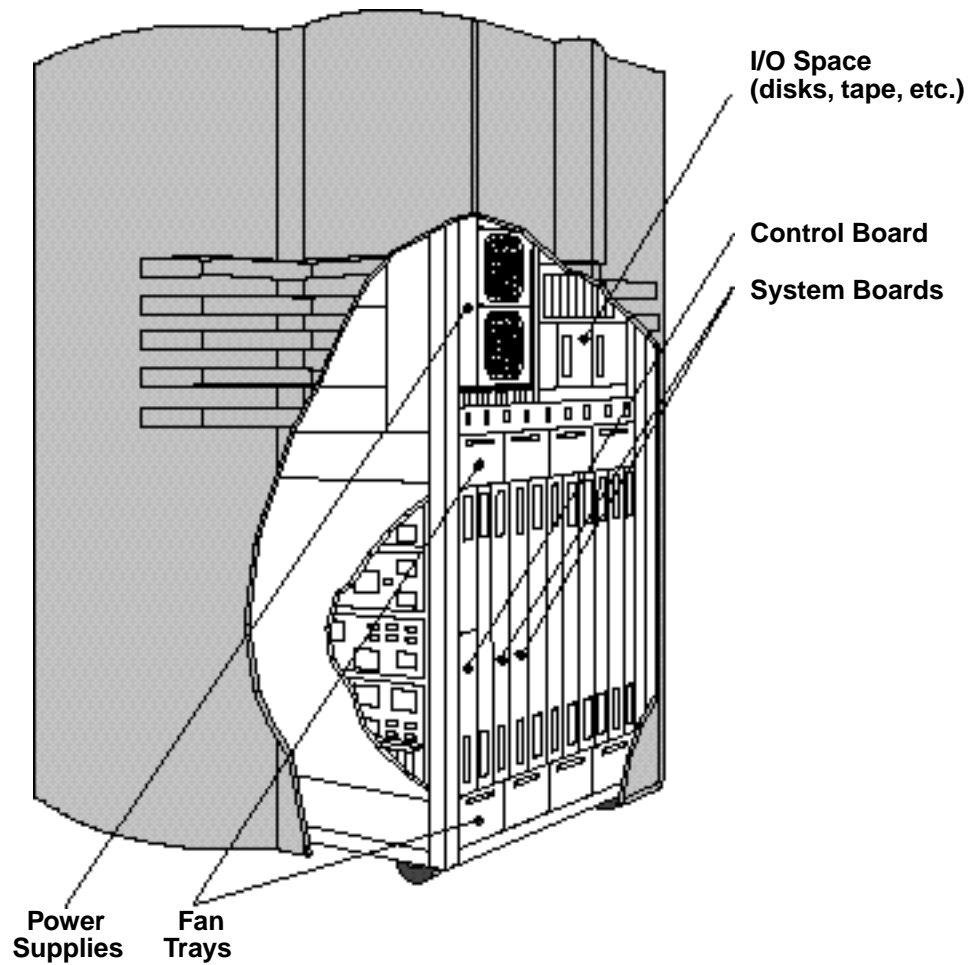


Figure 1-1 Ultra Enterprise 10000 Server

The Ultra Enterprise 10000 server combines the power of system partitioning (known as Dynamic System Domains) and Gigaplane-XB™ interconnect technologies, plus the cost-effectiveness of industry-standard SPARC™-based hardware and software. It offers a wide range of high availability features and fast, responsive solutions for the most data-intensive applications.

The system provides a system bandwidth of up to 12.8 Gbytes/sec using Sun Microsystems' Gigaplane-XB coherent scalable crossbar interconnect at the core of the system. The Enterprise 10000's UltraSPARC Port Architecture (UPA) works in conjunction with the crossbar interconnect to drastically reduce the number of cycles needed to transmit a standard data packet.

The computing power of the Enterprise 10000 server is complemented by up to 64 I/O channels for high-speed communications. Its storage capacity can exceed 20 Tbytes to support data warehousing, decision support systems, very large data bases, file serving, and other large scale data management applications.

In addition to a large system memory, each processor within the Enterprise 10000 server utilizes an efficient fully coherent local cache to deliver optimal performance for a wide variety of applications and to support scalable multiprocessing in an SMP environment. Performance is further enhanced by a highly sophisticated virtual memory management system.

Scalability is a core feature of the Ultra Enterprise 10000 server. The modular design of the Enterprise 10000 server makes it easy to purchase a modest system and upgrade it as capacity demands grow. There are no built-in barriers to expansion; the system can scale from minimum to maximum functionality in any axis without constraint. For example, the 16-processor entry-level configuration is easily expanded to the maximum capacity of 64 processors. Memory, and I/O channels are equally flexible. All functional areas of the Enterprise 10000 are field upgradable, and most upgrades can be performed without halting the system.

The physical package of the Enterprise 10000 server is a clean, modern single rack enclosure with access doors and detachable dress panels. The cabinet houses the system boards, the centerplane, the DC power supplies, and cooling fans. There is also room for more than 100 Gbytes of disk storage.

Each Enterprise 10000 server has an Ethernet-based external System Service Processor (SSP), an external Sun™ workstation that is the system's administration console. It also monitors the Enterprise 10000 server for problems and takes corrective actions.



### *The Ultra Enterprise 10000 Server Features and Capabilities*

- Internal frequency of up to 100 MHz with processors running at a clock frequency of 250 MHz. The system is designed to accept faster processors and interconnect components as a future enhancement.
- High interconnect bandwidth: up to 12.8 Gbytes/sec.
- Fast floating point performance: up to 25 Gflops/sec.
- Cost-effective interconnect: a new generation of interconnect ASICs significantly reduces the cost of the system's interconnect architecture.
- High I/O bandwidth: up to 6.4 Gbytes/sec maximum aggregate SBus bandwidth. The Enterprise 10000's individual SBuses can do 64-bit transfers, yielding a net data rate of 200 Mbytes/sec peak, 100 Mbytes/sec sustained per SBus.
- I/O flexibility: up to 32 independent SBuses.
- Error-correction interconnect: Data and address buses are protected by a combination of error correcting codes and parity.
- No single points of hardware failure: No single component will prevent a properly configured Enterprise 10000 server from automatically reconfiguring itself to resume execution after a failure. This is achieved through a combination of redundancy and alternate pathing architecture.

- **Multicomputing (Dynamic System Domains):** groups of system boards can be arranged in multi-processor Dynamic System Domains that can run independent copies of Solaris concurrently. Each domain is completely isolated from hardware or software errors that might occur in another domains.
- **Dynamic reconfiguration:** system components can be logically disabled or enabled during troubleshooting or prior to hot-swap operations.
- **Hot-swapping:** power supplies and most board-level system components—including the processor boards—can be exchanged while *hot*; that is, while the system is online.
- **Scalable configurations:** The Enterprise 10000 server can add memory and I/O slots without displacing processors.
- **Service/maintenance process flexibility:** the System Service Processor connects to the Enterprise 10000 server via conventional Ethernet, permitting system administration from a remote location.

## *Independently Configured System Boards*

The Enterprise 10000 server houses a group of system boards interconnected by a centerplane. A single cabinet holds up to 16 of these system boards, each of which can be independently configured with processors, memory and I/O channels, as follows:

Four 250 MHz UltraSPARC microprocessor modules with supporting two level/1 Mbyte cache per module (64 per Enterprise 10000 system).

Four memory banks with a capacity of up to 4 Gbytes per system board (64 Gbytes per Enterprise 10000 server).

Two SBuses per board, each with slots for up to two controllers for networking and I/O (32 SBuses or 64 slots per system).

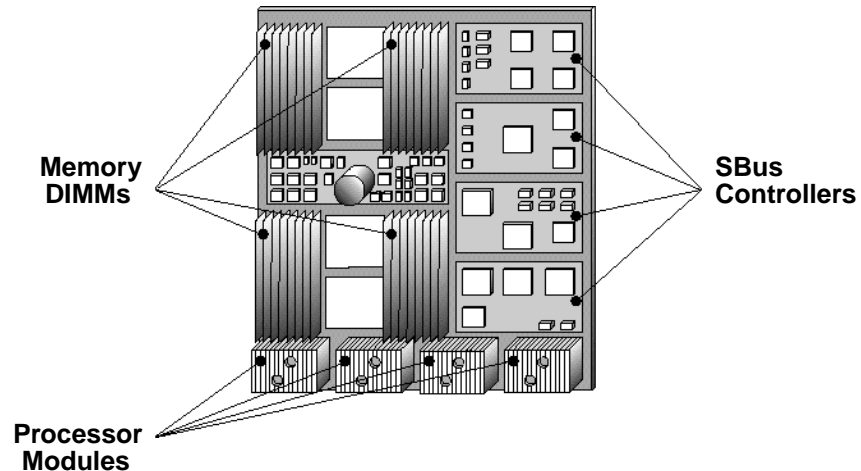


Figure 2-1 System Board

The Enterprise 10000 server has a control board that contains the system-level logic central to all system boards. This includes the system clock generator, temperature and airflow monitoring, and an interface for the System Service Processor, which handles diagnostics, boot, shutdown and environmental monitoring. An optional, redundant control board is available should higher levels of system availability be required.

## *UltraSPARC™ Port Architecture and the Gigaplane-XB™ Interconnect*

System architecture plays a dominant role in determining the performance, cost/performance, and scalability of today's high-end servers. Recognizing this, Sun Microsystems has incorporated an entirely new crossbar into the Enterprise 10000 server: the Gigaplane-XB interconnect. This new feature, in combination with the UltraSPARC processors, enables the Enterprise 10000 server to provide the highest overall performance available in its class.

Physically, the Gigaplane-XB Interconnect is the centerplane of the Enterprise 10000 server package. It is a circuit board with two symmetrical sides, each mounting up to eight system boards, a centerplane support board, and a control board.

The Ultra Enterprise 10000 server interconnect design capitalizes on inherent UltraSPARC Port Architecture advantages. UPA is Sun Microsystems' standard I/O definition for UltraSPARC processors. The Gigaplane-XB interconnect uses a packet switched scheme with separate address and data paths. The segregation of address and data lines allows specific interconnect characteristics for each of the two entities. Data normally needs to be moved from point to point, (commonly from one system board to another), while addresses often must be distributed simultaneously throughout the system. Therefore the Gigaplane-XB interconnect handles data transactions with a fast crossbar interconnect, and address distribution with a broadcast router.

The Ultra Enterprise 10000 server's UPA-mandated datapath width of 16 bytes halves the number of cycles needed to transmit a standard 64-bit data packet (when compared to previous architectures). The net outcome of this and all the innovations on the Enterprise 10000 server centerplane is the highest interconnect bandwidth among open system servers.

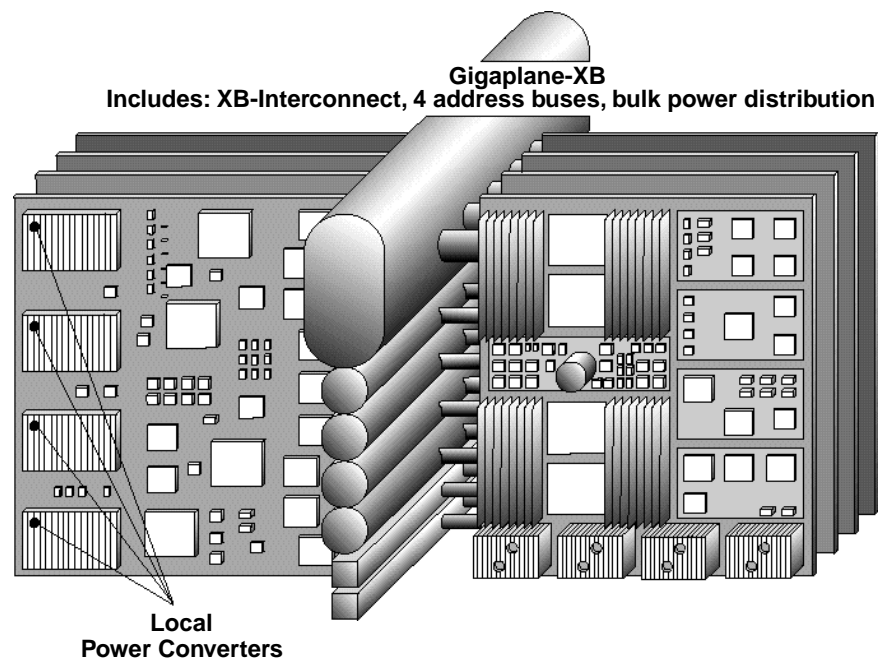


Figure 2-2 System Boards with the Gigaplane-XB Interconnect

## *Data and Address Routing*

Data routing in the Enterprise 10000 system is conducted at two levels: global and local.

The Global Data Router (GDR) is a 16 byte wide, 16 x 16 crossbar that steers data packets between the 16 system boards. From a hardware point of view, the GDR consists of 12 multiplexer ASICs situated on the centerplane board. Each ASIC is devoted to a 12-bit wide data slice. As a whole, the data is organized in 64-byte packets. The system requires four clock cycles to transmit each packet.

Data routing is carried out with a two-stage topology based on the Enterprise 10000 server's physical board partitioning. Local "many-to-one" routers on the system boards gather on-board requests and direct them to one port (per board). The global data crossbar connects the 16 system boards' ports together. With the 16 x 16 crossbar, any port can be connected to any other through the centerplane.

The Enterprise 10000 server's address routing is implemented over a separate set of four global address buses, one for each of the four memory banks that can be configured on a system board. The buses are 48 bits wide including error correcting code bits. Each bus is independent, meaning that there can be four distinct address transfers simultaneously. An address transfer takes 2 clock cycles, equivalent to a snoop rate of 250 MHz.

## *Scalable Symmetric Multiprocessing*

Widespread use of more powerful workstations and networked personal computers is creating an increased burden on servers. An effective solution is symmetric multiprocessing that commits additional system resources as needed.

The Ultra Enterprise 10000 system interconnect and cache coherency mechanism provide both the overall system performance and the throughput necessary to support a large number of processors, and to achieve near-linear scalability.

The Solaris™ operating system, too, scales proportionately with the other Enterprise 10000 server resources.

The combination of scalability, SMP, and SPARC/Solaris compatibility provides system performance, a large number of proven applications, and simplified capacity planning for new client/server applications or rehosted applications.

### Mainframe-Style Partitioning via Dynamic System Domains

An Enterprise 10000 server can be subdivided into multiple computers, known as Dynamic System Domains, each consisting of one or more system boards. Each of these domains is a separate shared-memory SMP system that runs its own local copy of the Solaris operating system. The domains share the Gigaplane-XB interconnect but are isolated from each other.

The use of a single server with multiple domains is far more efficient than using many smaller, discrete servers. The multi-domain server is easier to manage and more flexible thanks to its integrated software hierarchy and its single-console operation. It also offers improved reliability, availability, and serviceability. And significantly, the multi-domain solution reduces the total cost of ownership: just one “infrastructure” (particularly the centerplane) supports many domains, equivalent to many discrete servers.

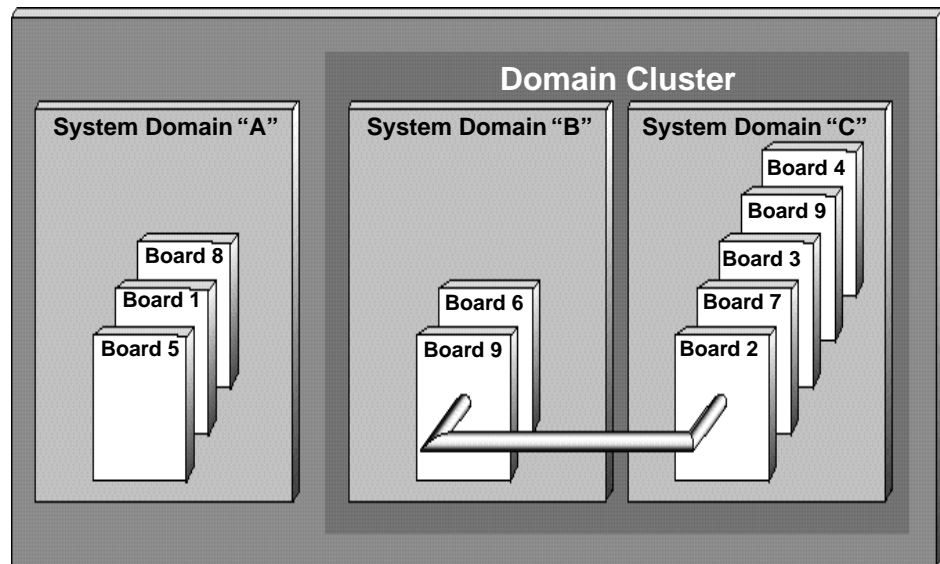


Figure 2-3 Dynamic System Domains

---

The Dynamic System Domain architecture supports a wealth of applications:

- **Server consolidation:** A single Enterprise 10000 server can carry out the duties of several smaller servers. It preserves the independence and isolation of the discrete servers but is easier to administer and offers the flexibility to freely shift resources from one “server” to another. This is a benefit as applications grow, or when demand reaches peak levels requiring rapid deployment of additional computing resources.
- **Simultaneous development, production, and test:** These three functions can safely coexist within a single Enterprise 10000 server. The Enterprise 10000 server obviates the need for separate hardware for development and test purposes; instead, they are parcelled out to separate domains. The innate isolation of the domains enables development and test work to continue, while assuring that those efforts do not impact production.
- **Software migration:** Dynamic System Domains may be used as a means of migrating systems or applications software to updated versions. This applies to the Solaris operating system, database applications, new administrative environments, or any type of application.
- **Special I/O or network functions:** A domain may be established to deal with specific I/O devices or functions. For example, a high-end tape device could be attached to a dedicated domain, which is alternately merged into other domains which need to make use of the device for backup or other purposes.
- **Departmental Systems:** One partitioned Enterprise 10000 server may be shared by multiple projects or departments, simplifying cost justification and cost accounting requirements.
- **Configuring for resource requirements:** Dynamic System Domains can be sized to match the needs of diverse applications. For example, projects with resource requirements that might overflow onto other applications can be isolated to their own domain. Conversely, for applications that can’t take advantage of all resources (i.e., those lacking scalability), multiple copies of the application can be run in separate domains.
- **Internet Firewall (*future capability*):** Most sites direct network traffic using a firewall system that protects the internal network against penetration from outside. A domain could be set aside for this purpose on an Enterprise 10000 platform.

- **Data Warehousing:** The normal configuration is to have a large data warehousing server, then a second tier of “data marts” on smaller servers, and finally the desktop tier. Using Dynamic System Domains, one Enterprise 10000 server with appropriately-allocated domains can be used as both the warehousing server *and* in place of all the discrete servers on the second tier. This adds flexibility in the administration of the data hierarchy.

## *UltraSPARC Processors/Processor Modules*

The Enterprise 10000 server can include up to 64 processors situated in groups of up to four per system board. The UltraSPARC processor itself is a superscalar microprocessor chip that can execute four instructions per clock cycle. Within the chip, Fetch and Prefetch units ensure that data for the chip's Floating Point and Integer units is always available without delay. A Data Cache holds results from floating point and integer calculations. Other on-chip elements include a Memory Management unit, a Load/Store unit, a Memory Interface unit, and a local Instruction Cache to store instructions prior to execution.

The processor mounts on a small daughter board, the UltraSPARC Module, which also houses the 1-MB Second-Level Cache and the UltraSPARC Data Buffer (UDB) circuitry. The Second Level Cache handles cache misses from the processor's on-chip cache memories. In total, the architectural elements on the processor chip and the module support the Enterprise 10000 server's ability to execute two floating point instructions, add or subtract, and two integer instructions during a single clock cycle.

Because processor technology continues to advance more rapidly than other system technologies, the Enterprise 10000 server is designed to be easily upgraded in the field by adding or replacing discrete processor modules.

## *Power Supply Redundancy and Hot Swap*

Because power fluctuations are among the most common causes of unscheduled service interruptions, the Enterprise 10000 server is designed for resiliency against such fluctuations. The system is configured to interface to standard uninterruptible power systems (UPS) that protect against line voltage variations and dropouts. Secondly, a non-maskable powerfail interrupt is



issued when internal voltages exceed pre-defined limits. As a final measure, the Enterprise 10000 server's own internal power supplies resist power variations.

Enterprise 10000 servers are outfitted with multiple modular bulk power supplies that convert the incoming 220-volt AC line voltage to +48 volts DC. The aggregate capacity of these bulk supplies offers plenty of headroom over and above the maximum power demands from the system; for example, a base system is equipped with five supplies but can run on four. If a supply fails, then the remaining supplies pick up the load without affecting system operation. This N+1 redundancy is common to all Enterprise 10000 server configurations. Eight supplies are used in the maximum configuration (64 processors). The modular power supplies can be hot-swapped while the system is running.

Each side of the centerplane has its own 48V distribution bus, and each system board develops its own low-voltage supplies locally with on-board regulators. Should a regulator fail, the system adapts automatically by reconfiguring itself to exclude the offending board.

The system's AC wiring provides further safeguards against outright failure. The base Enterprise 10000 server uses three line cords, each fed by a separate 220V single-phase 50/60 Hz AC circuit, to deliver the required input power to the bulk DC supplies. A fourth discrete line cord serves the system's I/O space. This level of redundancy ensures against a system-wide power loss and also reduces the current through any one circuit.

## Memory System

Large-scale systems must provide sufficient memory capacity to sustain high performance from the processors and I/O channels. Additionally, memory must be quickly accessible in order to avoid interfering with other subsystem activities. Finally, the large concentration of data in today's data center systems and production environments necessitates a highly reliable design.

The Enterprise 10000 server is designed to meet all of these requirements. By using 64 Mbit DRAM chips, a fully-configured system offers up to 64 Gbytes of system memory. The Solaris operating system provides scalability consistent with this memory capacity. Efficient memory interleaving provides the necessary access speeds. The entire memory data path is protected by error

correcting code (ECC) mechanisms, and SIMM organization is specifically designed such that each DRAM chip contributes only one bit to a byte of data. Thus the failure of a DRAM chip causes only correctable single-bit errors.

Main memory is configured in multiple logical units. All units—memory, processors, and I/O buses, are equidistant in the architecture and all memory modules comprise a single global shared memory. Each memory unit consists of four banks of physical memory connected to the memory data buffer and the local data router to the crossbar switch (the global data router). Memory addresses are assigned through software at boot time.

A memory module can do a cache-line read or a write every four system clocks (48 ns), a bandwidth of 1.3 Gbytes/sec. This matches both the Global Data Router port bandwidth, and that of the processor's UPA port.

## *Input/Output Modules and SBus*

The Ultra Enterprise 10000 I/O subsystem employs the standard SBus (IEEE 1496-1993) which has been the mainstay of Sun Microsystems' architecture for years and is supported by several system manufacturers and many peripherals vendors. SBus provides high throughput and minimum latency using optimized block transfer modes, a non-blocking I/O cache, and a low-contention design. It provides a 64-bit data path and fully supports parity protection. Moreover, I/O drivers are adapted to support the Enterprise 10000 dynamic reconfiguration capability.

The Enterprise 10000 I/O module is a mezzanine card that plugs into the system board and connects the UPA to a pair of SBuses. Each of these SBuses can in turn be populated with one or two single-width SBus controllers, or one double-width controller.

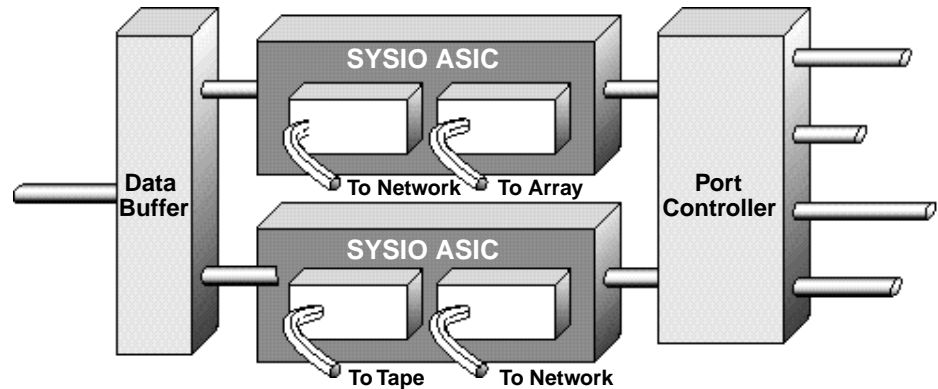


Figure 2-4 I/O Module

This allows the Enterprise 10000 server to offer incremental expandable I/O by configuring up to 64 SBus slots on 32 independent buses. Access latency for every SBus is the same. The SBus operates at 25 MHz and can deliver 100 Mbytes/sec sustained throughput with capable peripherals. This is as much bandwidth as some alternate systems provide for multiprocessor CPU-to-memory traffic. The system's overall I/O capacity approaches system memory bandwidth, rather than just peripheral bus bandwidth as in most other comparable systems.

All SBuses are connected through buffers to their respective local data routers and ultimately to the Global Data Router. The heart of the I/O module is the SYSIO ASIC, which oversees transactions between the Enterprise 10000 data routers and the SBus controllers.

By using virtual (rather than physical) addresses in its I/O scheme, the operating system gains a 64 Mbyte space for efficient management of I/O operations. Each SBus interface includes its own Memory Management Unit to translate between virtual and physical addresses.

The SBus provides three transfer modes: programmed I/O, consistent mode direct virtual memory access (DVMA), and stream mode DVMA. While programmed I/O requires direct CPU intervention, DVMA permits large amounts of data to be transferred between the SBus and memory without using the processor.

## Network and Peripheral Connectivity With SBus

The following controllers and peripherals are supported by the Enterprise 10000 server:

- **SCSI Controller:** A single-width SBus card with one fast-wide differential 16-bit SCSI-2 bus. This SCSI bus is used on the Enterprise 10000 server for connections to discrete disks or tape devices. The raw data transfer rate on the bus is 20 Mbytes/sec.
- **Fiber Controllers for the SPARCstorage™ Array:** This provides a point-to-point full duplex link to the array. The transfer rate on the fiber is 25 Mbytes/sec in each direction. The controller itself is single-width. 64-bit SBus data transfers are supported.
- **Ethernet Controller:** This is a single-width SBus card with four 10base-T ports. In conjunction with higher level protocols, it supports industry-standard twisted pair networking between the Enterprise 10000 server, workstations, and other systems. Raw data rate is 10 Mbits/sec.
- **Fast Ethernet Controller:** This is a single-width, single-port device that runs at 10 or 100 Mbits/sec with 64-bit data transfers.
- **FDDI:** A networking medium used when performance greater than Ethernet is required. Raw data transfer rate is 100 Mbits/sec over fiber cabling. There are two FDDI options available with the E10000: single attach (SAS) and dual attach (DAS). Both are single-width cards.
- **ATM:** This controller allows the Enterprise 10000 server to interface to Asynchronous Transfer Mode local or wide area networks over fiber or twisted pair cable. Supported network speed is 155 Mbits/sec. This is a single-width SBus card that supports 64-bit data transfers.
- **Token Ring:** This is a single width controller that provides 32-bit data transfers at 4 or 16 Mbits/sec. For connection to mainframe environments.

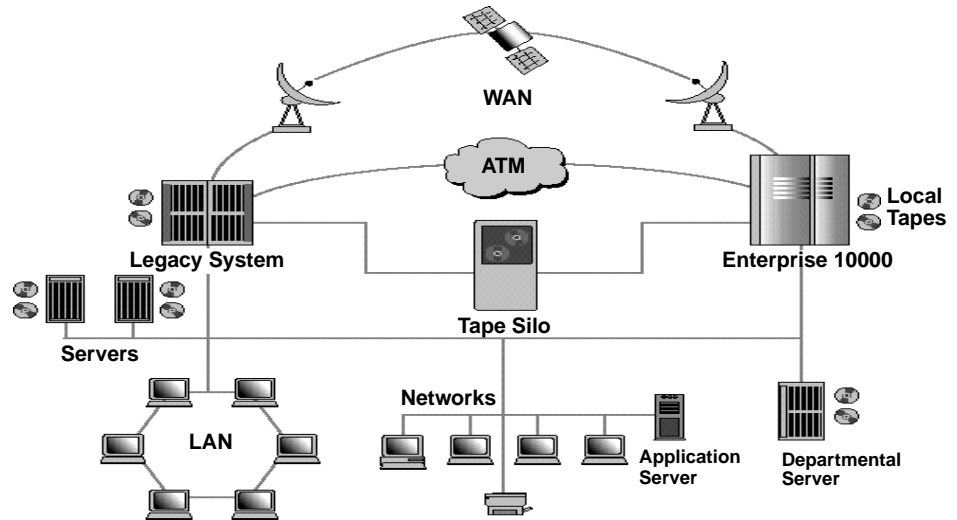


Figure 2-5 Networking

A wide range of peripheral options is available for the Enterprise 10000 server. These include:

- Discrete disks (3.5" devices with 4.2 GB capacity). Drives are installed in hot-swap trays for easy replacement in the event of failure. Drives are outfitted with redundant power and cooling.
- The Sun SPARCstorage Array (12.6 to 63 GB capacity, depending on configuration).
- Tape devices, including Exabyte 8mm, 3490E-compatible 1/2" cartridge, and digital linear tape (DLT) with autoloaders.
- The model 210 SPARCstorage Array controller. This allows connection of many SCSI disks to a single fiber interface, reducing the number of SBus ports needed to support a mass of 4.2 GB discrete disks.

The software complement to all these storage options is Solstice™ DiskSuite™, a tool that improves disk manageability, reliability, and performance. It supports disk striping (using multiple disk controllers to achieve higher I/O rates), disk mirroring (duplicating data on multiple disks and disk controllers to protect against disk or controller failures), RAID-5 (for economical disk redundancy), and concatenation of files across logical disks to support large file systems.



## *System Service Processor (SSP)*

The console functions for the Ultra Enterprise 10000 server are carried out by the System Service Processor. The SSP is a Solaris workstation especially configured to support the Enterprise 10000 server. It runs a suite of diagnostic and management programs, including POST and Hostview. These and other SSP-controlled programs are designed to minimize the need for active management by an operator while aiding that operator in supervising the system.

The SSP sequences the boot process, assists in configuration decisions at bootup, monitors environmental conditions, helps the Enterprise 10000 server recover from interrupts, and optionally sends information to SunService regarding interrupts. In addition, the SSP is the management station for dynamic reconfiguration activities (including hot swap) and Dynamic System Domains.

The SSP is the access port for administrators and service providers and provides intelligence separate from the host Enterprise 10000 server. The SSP is connected via an Ethernet network. Using the Network Console feature, virtually any workstation in the network can open a host console session. This provides several important capabilities, including remote administration of the Enterprise 10000 server and remote power control. The Enterprise 10000 server and SSP use Network Time Protocol (NTP) to maintain time synchronization. In the future, SSP functions will be augmented by Solstice™ SyMON™.

For redundancy, an Enterprise 10000 server can be provided with a second SSP that acts as hot spare.

## *Power On Self Test (POST)*

POST is the principal bring-up diagnostic program for the Enterprise 10000 server. It verifies that all components (memory, processors, I/O controllers, etc.) are functional before allowing them to be logically configured into the Ultra Enterprise 10000 server. Using POST ensures that the system can be brought up with confidence, even if there are hardware problems, and that those problems will not impact the availability of the system because they are configured out of the system.

POST begins by testing each component individually, and then tests the system as components are configured in. Based on the results of its testing and parameters entered by the systems administrator, POST creates a list of viable configurations and selects which of these configurations is to be booted.

The amount of testing done by POST is controlled by the “level” of testing requested. At higher levels, more tests are run, and POST thoroughly tests additional components—even those with little chance of failure. Levels range from “1” (basic initialization and minimal testing) to “17” (the minimum diagnostic level) to “128” (the maximum diagnostic level, including many components with little chance of failure).

## *Hostview*

Hostview is the graphical interface program that monitors system components and functions and interfaces with service and operator functions. Hostview simplifies monitoring and control of the Enterprise 10000 server by providing a series of easy-to-follow menus.

Hostview also provides for control of dynamic reconfiguration functions, including:

- Create independent Dynamic System Domains
- Dynamically detach system components for diagnosis or as a Dynamic System Domain
- Hot swap/hot plug
- Dynamically attach system components
- Alternate pathing setup and control of disks or networks



---

Hostview is able to make reasonable decisions about environmental problems, making the Enterprise 10000 server less susceptible to single-point failures. It enables the system administrator to monitor and respond to various system functions, such as:

- Hardware faults, e.g., over-voltage
- Environmental faults, e.g., excessive heating
- Loss of *heartbeat* from Enterprise 10000 server

## *Dynamic Reconfiguration and System Board Hot Swap*

Dynamic reconfiguration provides maximum flexibility for system configuration, upgrades, and quick recovery from failures. It also is essential to the Enterprise 10000 server's hot-swap processes, during which is used to logically deactivate affected components prior to removal. This capability is available to the system administrator during normal system operation, and to the system boot process for automatic logical removal of an unavailable or failed component. Moreover, dynamic reconfiguration can be driven remotely, via network connection to the System Service Processor. This is an important resource that helps service providers efficiently carry out maintenance, repairs, and updates.

At boot time, a comprehensive diagnostic software system determines which units in the Enterprise 10000 server are available and functioning. This software is collectively known as the Power-On Self Test (POST), although it is also run when recovering from errors as well as during each reboot. POST runs in several phases under the control of the SSP.

The POST software system enables automatic system recovery after a panic interrupt (UNIX system crash). To permit continued operation, the system immediately reboots and reconfigures itself. POST detects and isolates the failed component and logically disables it in anticipation of later removal.

There are many possible combinations to use in case of failures. A series of heuristics using site-specified parameters determines which configuration is to be used.

As part of the dynamic reconfiguration feature, the Ultra Enterprise 10000 server allows a system board to be inserted or removed without powering off the system. This hot-swap procedure is equally applicable to servicing failed boards or to upgrading memory, I/O, or processor configurations. Only the immediate system board and its components are affected.

Following the logical detachment, the designated system board is powered off and removed for service. A upgraded or replacement board is then inserted and powered on. The SSP runs the POST diagnostics on the new board, after which the system board is logically reattached to the operating system. During this period, the system continues to operate and user applications are unaffected.

### *SNMP Support and the Management Information Base (MIB)*

All events noted by Ultra Enterprise 10000 server's monitoring functions are broadcast to the network via SNMP messages. This means that, in addition to the hostview program, they may be trapped by any software package that processes SNMP messages. Thus, messages specific to Enterprise 10000 servers can be integrated conveniently into a site's existing systems and network management toolsets.

A Management Information Base has been defined for the Enterprise 10000 server family. This includes a wealth of information that can be used by third party system and network management products.

### *Network Console (NetCon)*

Network Console is the function that enables remote logins to the Enterprise 10000 System Service Processor. A system administrator can use Network Console to log in and operate an Enterprise 10000 server remotely, from anywhere there is a network connection, via an X-Window interface.

The administrator or service providers may attach to an SSP session, perform diagnostic work, and conclude their work, without disturbing the console session. Also, the system administrator can observe a service provider's commands, in order to understand what diagnostic and corrective steps are being taken.

## SunTrust™ RAS Capabilities

Reliability, availability, and serviceability features are essential to the Ultra Enterprise 10000 server concept. Collectively, these features are known as SunTrust™, and encompass RAS characteristics in three categories:

- Reliability features prevent failures from happening
- Availability features keep the system operating in spite of failures
- Serviceability features help correct failures quickly after they have occurred

A host of strategies has been applied to ensure that data is protected under all circumstances, and that recovery from any fault can occur with little or no interruption of system availability. Redundant buses, a programmable configurable address space, full ECC or parity data checking on data storage and data paths, and extensive built-in monitoring equipment all permit the Enterprise 10000 server to detect, avoid, and recover from most failures.

Following is an overview of some key RAS characteristics of the Enterprise 10000 server:

- The system detects data integrity problems and corrects them when it can. For example, a failed DRAM in a memory module manifests itself as a single failed bit in each of four different data words—each of which is correctable by error-correcting code bits in those words.
- The system can reconfigure automatically around a hard failure, resuming operation without the failed component after an automatic reboot.
- Redundant components can be added to augment the system's already high reliability and availability. All components in the system may be configured redundantly if the customer so desires.
- Most hardware maintenance can be performed via hot swap without powering down the system; only the components actually being worked on are taken out of service.
- Multiple operating system versions and/or diagnostics can be co-hosted by the hardware using several independent system Dynamic System Domains.
- The Enterprise 10000 server is fully compatible with commercially available battery backup systems.
- Temperature-controlled variable speed internal fans ensure that airflow adapts to the actual thermal conditions within the system.

- Connectors, cables, guides, etc. within the system are designed to withstand thousands of insertion/removal cycles.
- Power On Self Test software controlled from the System Service Processor tests logic blocks first in isolation, then in combination with others to locate any failing components. Then it removes them from the active system configuration.
- The Hostview program on the SSP enables administrators/operators to monitor the state of the system and take action, if needed, beyond the normal automated measures. SNMP messaging enables the Enterprise 10000 server to be managed by commercially available system management tools.

Redundancy options are available for disk mirroring, redundant controllers, and dual ported devices. In addition, the system supports alternate path connectivity to peripherals and networks from two system boards; this allows continued access in the event of a system or controller board failure. These options increase availability for mission-critical applications and meet high reliability requirements with no single point of hard failures.

# Ultra Enterprise 10000 Software Architecture

---



## System Software

The Ultra Enterprise 10000 system software environment is SunSoft's Solaris 2.5.1 operating system. Designed for enterprise-level integration, Solaris delivers a competitive advantage to business through networked computing, scalability, and multi-architecture support. It offers higher throughput, higher quality, and more productivity in applications that demand mission-critical reliability.

Solaris 2.5.1 is the first major symmetric multiprocessing implementation of UNIX System V Release 4, and conforms to all generally-accepted industry standards (such as the SVR4 interface definition, X/Open<sup>®</sup>, XPG4, and POSIX 1003.1). Solaris 2.x is of course backward-compatible with existing Solaris 1.x applications.

The Solaris operating system recognizes the Enterprise 10000 server's scalability and ensures that all resources can be fully utilized. It is enhanced regularly to further exploit that scalability and to better support mission critical applications and data center operations.

The Solaris kernel is fully multithreaded for maximum efficiency in taking advantage of all system resources. Multithreading allows system and user applications to be structured as several independent computational threads rather than as a single thread of control. Multiple independent threads execute more efficiently because they can use multiple processes at the same time or move among available processors.

The system operating environment includes the OpenWindows™ V3.3 graphical user interface, with its graphical workspace manager, Motif/X11R5 server and clients, Adobe Level II Display PostScript, and graphic libraries (XGL™, DirectXlib™, SunPEX™ and XIL™). It also includes DeskSet™ V3 productivity applications, such as AnswerBook™, Calendar Manager, Multimedia Mail, Network File Manager, and others.

The cost of managing a geographically distributed networked facility is reduced by a group of powerful automation and administration facilities known as Solstice AdminSuite. These tools enable efficient systems management with full network security. Among other capabilities, AdminSuite expedites addition of user accounts, connection of clients to the network, and more.

The Automated Security Enhancement Tool (ASET) controls system security, warns of potential security hazards via event logging, and checks system file integrity. Other security features include shadow password files, password aging and traditional UNIX authentication, secure RPC, Kerberos network authentication service, and Access Control Lists.

Solaris runs on SPARC-based systems, Intel X86 architectures, and the PowerPC platform. This provides a seamless path for expansion from, and seamless interoperability with, these platforms.

## *Software Development*

The Enterprise 10000 server supports a range of standards-based computer aided software engineering (CASE) applications, fourth generation languages (4GL), and standard compilers, libraries and tools developed by Sun Microsystems and a large number of independent software vendors.

Sun™ WorkShop™ is a comprehensive suite of tools for software developers. Besides compilers for Fortran, C, C++, and Ada, there are graphical, intuitive tools for creating, optimizing, and debugging parallel and multithreaded programs. Compilers for other languages (Cobol, Pascal, etc.) are also available.

---

## *Application Software*

The Enterprise 10000 server features the industry's broadest independent software vendor (ISV) applications offering. Thousands of commercial, off-the-shelf solutions currently are available for the Enterprise 10000 server's Solaris environment. This extensive third-party market allows Enterprise 10000 server users to benefit from the specialized expertise of hundreds of vendors of hardware and software products for commercial and technical applications and requirements.

## *Meeting the Requirements of Production Business Environments*

The Ultra Enterprise 10000 server supports a full suite of hardware and software solutions to address the requirements of commercial business computing. These include RDBMS packages for online transaction processing (OLTP), decision support systems (DSS); transaction processing monitors; visualization and multimedia; CASE and 4GL languages and tools; software for report generation; tools for system, tape and batch management; and software for connectivity to and interoperability with mainframe and desktop systems.

With the increasing availability of commercial system management software for UNIX environments, the Enterprise 10000 server offers a compelling solution for a cost-effective and reliable enterprise-class server. And, as organizations prepare to move client/server systems from pilot tests to full production environments, the Enterprise 10000 server provides the scalability to support the most demanding requirements of large databases and other server-based applications in DSS, OLTP, and data warehousing.





## Summary

Sun Microsystems provides a unique and complete solution for today's data centers. The Ultra Enterprise 10000 system brings together a number of desired attributes to offer a complete solution for commercial data processing:

- **Breadth of application solutions:** The industry's largest base of UNIX applications and system and network management software is available on the Enterprise 10000 server.
- **Dependability:** The Enterprise 10000 server incorporates a wide range of reliability, availability, and serviceability features for a fault resilient and dependable solution.
- **Affordability:** Leveraging large-volume hardware and software components, maximizing availability, and minimizing service costs result in a total solution that is cost effective both in its components and as a whole. Sun Microsystems' aggressive pricing for processors, memory, peripherals, system software, and services set a new standard for cost effective enterprise-class servers.
- **Scalable symmetric multiprocessing:** While SMP systems provide a proven technology for server systems with a vast support infrastructure and well understood characteristics, most have one major shortcoming: lack of scalability. The Enterprise 10000 server offers both.
- **Performance:** With up to 64 processors, 64 Gbytes of memory, 20 Tbytes of online disk, and the Solaris operating system, the Ultra Enterprise 10000 server provides scalable system performance, a large number of proven applications, and simplified capacity planning for new client/server applications or rehosted applications.

- Alliance: Sun Microsystems' unique understanding of network, data center and mission critical applications enables it to be a long term ally for your organization.



Sun Microsystems Computer Company  
A Sun Microsystems, Inc. Business  
2550 Garcia Avenue  
Mountain View, CA 94043 USA  
415 960-1300  
FAX 415 969-9131

#### Sales Offices

Argentina: +54-1-311-0700  
Australia: +61-2-9844-5000  
Belgium: +32-2-716-7911  
Brazil: +55-11-524-8988  
Canada: +905-477-6745  
Chile: +56-2-638-6364  
Colombia: +57-1-218-3933  
Commonwealth of Independent States:  
+7-095-956-5470  
Czech/Slovak Republics:  
+42-2-205-102-33  
Denmark: +45-44-89-49-89  
Estonia: +372-6-308-900  
Finland: +358-0-525-561  
France: +33-13-067-5000  
Germany: +49-89-46008-0  
Greece: +30-1-680-6676  
Hong Kong: +852-2802-4188  
Hungary: +36-1-202-4415  
Iceland: +354-563-3010  
India: +91-80-559-9595  
Ireland: +353-1-671-4678  
Israel: +972-3-695-6868  
Italy: +39-39-60551  
Japan: +81-3-5717-5000  
Korea: +822-3469-0114  
Latin America/Caribbean:  
+1-415-688-9464  
Latvia: +371-755-11-33  
Lithuania: +370-7-298-586  
Luxembourg: +352-491-1331  
Malaysia: +603-264-9988  
Mexico: +52-5-258-6100  
Netherlands: +31-33-450-1234  
New Zealand: +64-4-499-2344  
Norway: +47-2218-5800  
People's Republic of China:  
Beijing: +86-10-6849-2828  
Shanghai: +86-21-6247-4068  
Guangzhou: +86-20-8777-9913  
Chengdu: +86-28-678-0121  
Poland: +48-2-658-4535  
Portugal: +351-1-412-7710  
Singapore: +65-224-3388  
South Africa: +2711-805-4305  
Spain: +34-1-596-9900  
Sweden: +46-8-623-90-00  
Switzerland: +41-1-825-7111  
Taiwan: +886-2-514-0567  
Thailand: +662-636-1555  
United Arab Emirates:  
+971-4-366-333  
United Kingdom: +44-1-276-20444  
United States: +1-800-821-4643  
Venezuela: +58-2-286-1044  
Worldwide Headquarters:  
+1-415-960-1300