



B1600 Blades
Chassis with 16 Blade Servers
Administration Tools



V250 Server
2 USIIIi CPU's - 1.28 GHz
8 GB memory
8 internal 73 GB Disks



V210 Server
2 USIIIi CPU's - 1 GHz
8 GB memory
2 internal 36 GB disks



V440 Server
4 USIIIi CPU's - 1.28 GHz
16 GB memory
4 internal 36 GB Disks



V240 Server
2 USIIIi CPU's - 1.28 GHz
8 GB memory
4 internal 36 GB disks

Volume Servers



280R Server

2 USIII CPU's - 1.2 GHz
8 GB memory
2 internal 36 GB Disks



V480 Server

4 USIII CPU's - 1.2 GHz
32 GB memory
2 internal 73 GB Disks



V490 Server

4 USIV CPU's - 1.05 GHz
32 GB memory
2 internal 73 GB Disks



V880 Server

8 USIII CPU's - 1.2 GHz
64 GB memory
12 internal 146 GB disks



V890 Server

8 USIV CPU's - 1.2 GHz
64 GB memory
12 internal 146 GB disks





V20z Server

2 AMD Opteron CPU's - 1.6, 1.8 or 2.2 GHz
16 GB memory
2 internal 73 GB disks
Solaris x86 or Linux



V60x Server

2 Intel CPU's - 2.8 or 3.2 GHz
6 GB memory
3 internal 73 GB disks
Solaris x86 or Linux

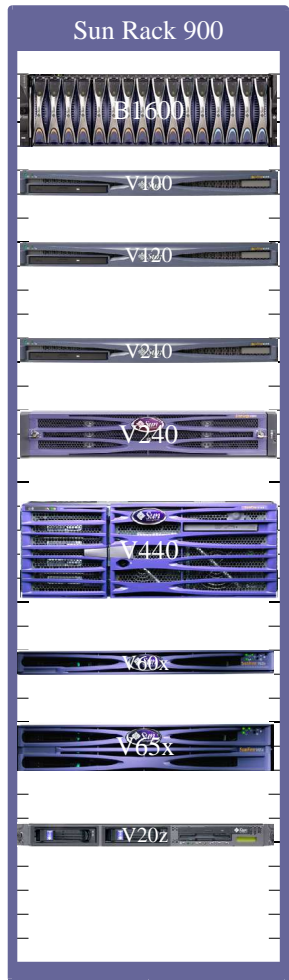


V65x Server

2 Intel CPU's - 3.2 GHz
12 GB memory
6 internal 73 GB disks
Solaris x86 or Linux


Volume Servers

Sun Rack 900



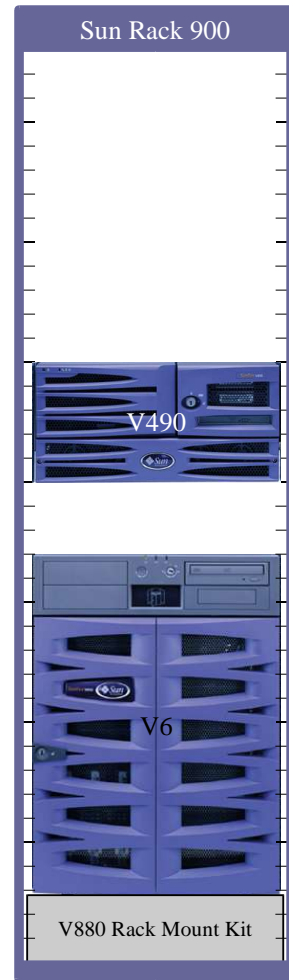
- B1600 Blades**
16 Blade Servers
- V100 Server**
1 CPU, 1 Disk
- V120 Server**
1 CPU, 1 Disk
- V210 Server**
2 CPU's, 2 Disks
- V240 Server**
2 CPU's, 4 Disks
- V440 Server**
4 CPU's, 4 Disks
- V60x Server**
2 CPU's, 2 Disks
- V65x Server**
2 CPU's, 6 Disks
- V20z Server**
2 CPU's, 2 Disks

Sun Rack 900



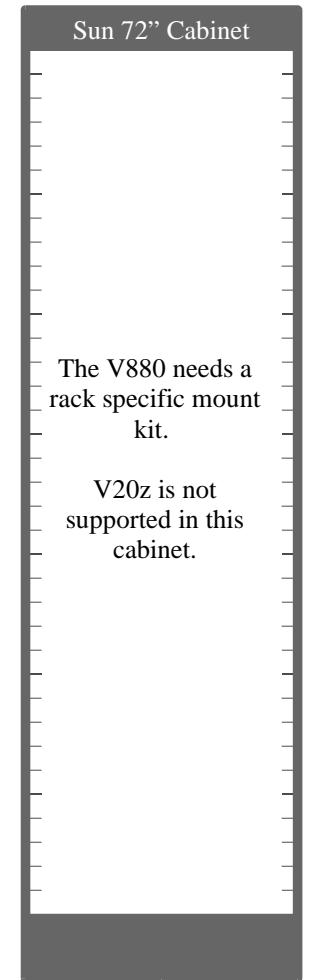
- V280 Server**
2 CPU's, 2 Disks
- V480 Server**
4 CPU's, 2 Disks
- V880 Server**
8 CPU's, 12 Disks
- V880 Rack Mount Kit

Sun Rack 900



- V490 Server**
4 CPU's, 2 Disks
- V890 Server**
8 CPU's, 12 Disks
- V880 Rack Mount Kit

Sun 72" Cabinet



The V880 needs a rack specific mount kit.

V20z is not supported in this cabinet.

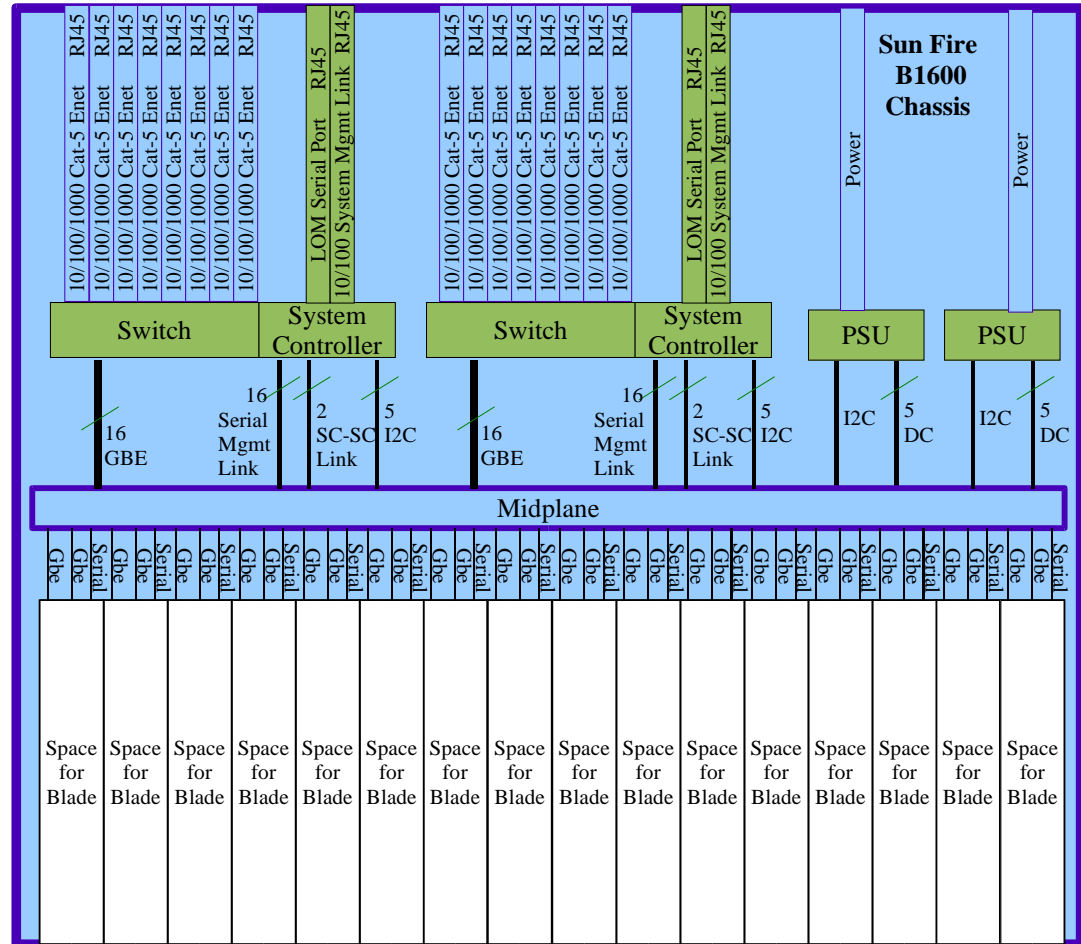
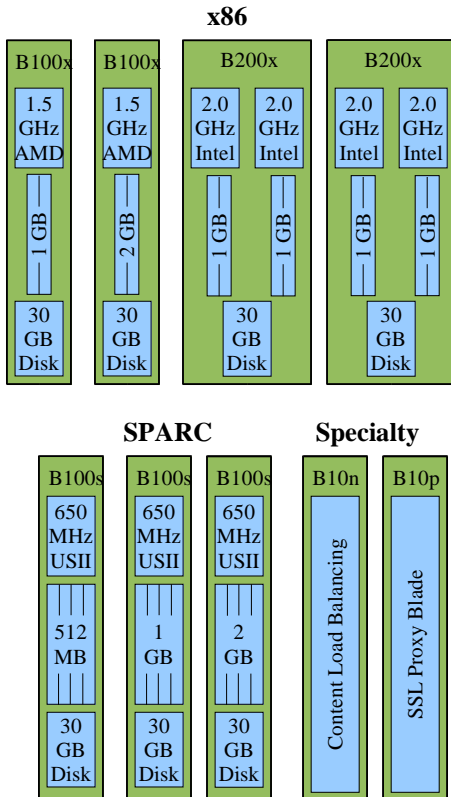


Sun Fire B1600 Detail



Sun Fire B1600

Integrated Switches & System Controller
 Redundant Power, 3 RU Chassis
Ships with:
 Rack Mount Kit for Sun Rack 900
 & Sun 72" Cabinet

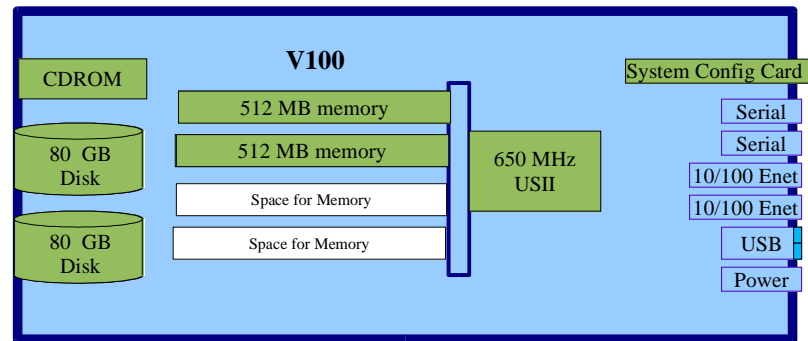


V100 Server Detail



V100

1 USII CPU - 650 or 550 MHz
1 GB memory (4 GB Max)
2 internal disks (IDE) - 80 GB each
CD-ROM
1 Rack Unit High (1.75 in.)
Included Rack Mount Kit fits:
Sun 900 Rack, Sun 72" Cab, Sun Fire Cab

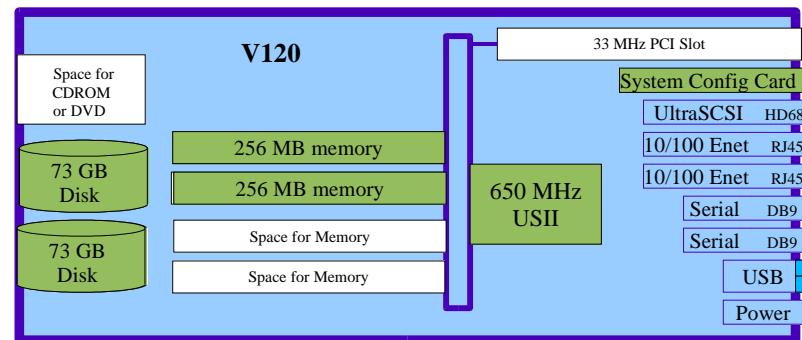


V120 Server Detail



V120

1 USII CPU - 650 MHz
512 MB memory (4 GB max)
73 GB internal SCSI disk (2 max)
Slot for CD-ROM or DVD
33 MHz PCI slot
1 Rack Unit High (1.75 in.)
Included Rack Mount Kit fits
Sun 900 Rack, Sun 72" Cab, Sun Fire Cab



V210 Server Detail



V210 Server

Capacity:

- 2 USIIIi CPU's - 1.06 GHz each
- 8 GB memory
- 2 internal 36 or 73 GB LVD disks
- 1 PCI Slot - 66 MHz
- 4 10/100/1000Base -T Ethernet Ports
- DVD Drive Option
- Sun Crypto Accelerator Card Option
- Advanced Lights Out Management (ALOM) Card
- System Configuration Card
- Single Power Supply.
- Single Power Cord
- 1 Rack Unit high

Ships with:

- Rack Mounting with cable management
- fits Sun 900 Rack, Sun 72" Cab, Sun Fire Cab
- System Key
- RJ-45 to DB-9 Adapter
- RJ-45 to DB-25 Adapter
- Cat5 RJ-45 cable

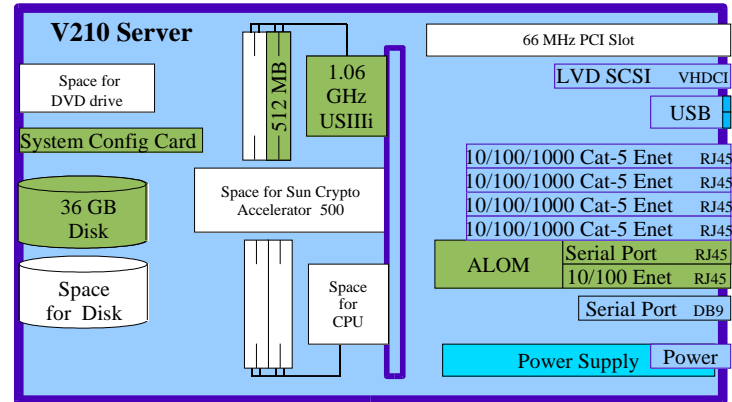
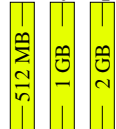
Disk Options



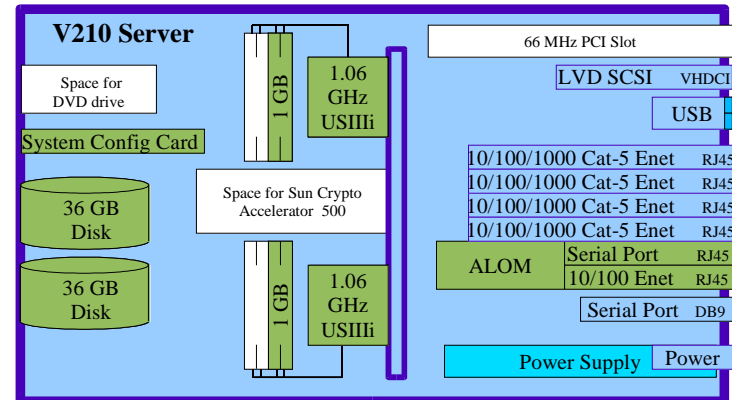
DVD Option



Memory Options



1 CPU, 512 MB memory, 1x 36 GB disk, base configuration



2 CPU, 2 GB memory, 2x 36 GB disk, base configuration



V240 Server Detail



V240 Server

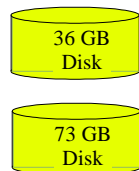
Capacity:

- 2 USIIIi CPU's - 1.06 or 1.28 GHz each
- 8 GB memory
- 4 internal 36 or 73 GB LVD disks
- 3 PCI Slots - 1x 66 MHz, 2x 33 MHz
- 4 10/100/1000Base -T Ethernet Ports
- DVD Drive Option
- Sun Crypto Accelerator Card Option
- Advanced Lights Out Management (ALOM) Card
- System Configuration Card
- Redundant Power Supplies.
- 2 Power Cords
- 2 Rack Units high

Ships with:

- Rack Mounting with cable management
- fits Sun 900 Rack, Sun 72" Cab, Sun Fire Cab
- System Key
- RJ-45 to DB-9 Adapter
- RJ-45 to DB-25 Adapter
- Cat5 RJ-45 cable

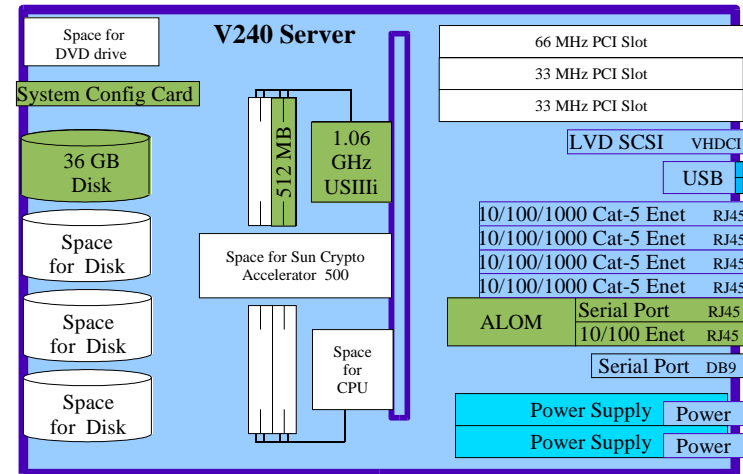
Disk Options



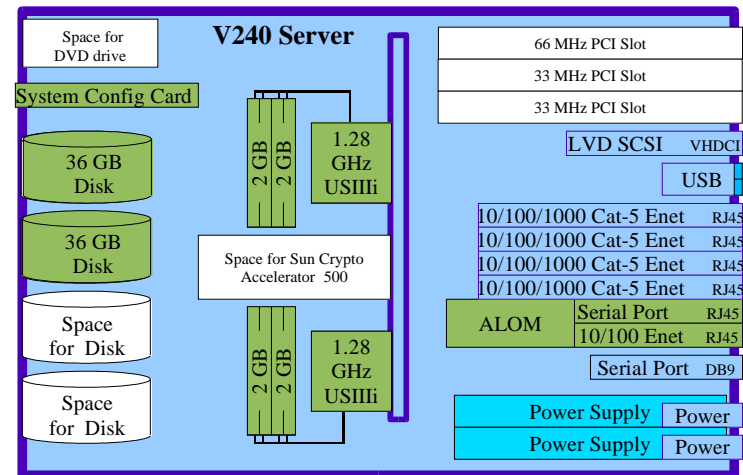
DVD Option



Memory Options



1 CPU, 512 MB memory, 1x 36 GB disk, base configuration



2 CPU, 8 GB memory, 2x 36 GB disk, base configuration



V250 Server Detail



V250 Server

Capacity:

- 2 USIIIi CPU's - 1.06 or 1.28 GHz each
- 8 GB memory (4 GB per CPU)
- 8 internal 36 or 73 GB Ultra160 SCSI disks
- 6 PCI Cards - 3x 66/33 MHz, 3x 33 MHz
- 1 10/100/1000Base -T Ethernet Port
- DVD Drive
- Optional DDS4- DAT tape drive
- Advanced Lights Out Management (ALOM) Card
- System Configuration Card
- Redundant Power Supplies.
- 2 Power Cords

Tape Option

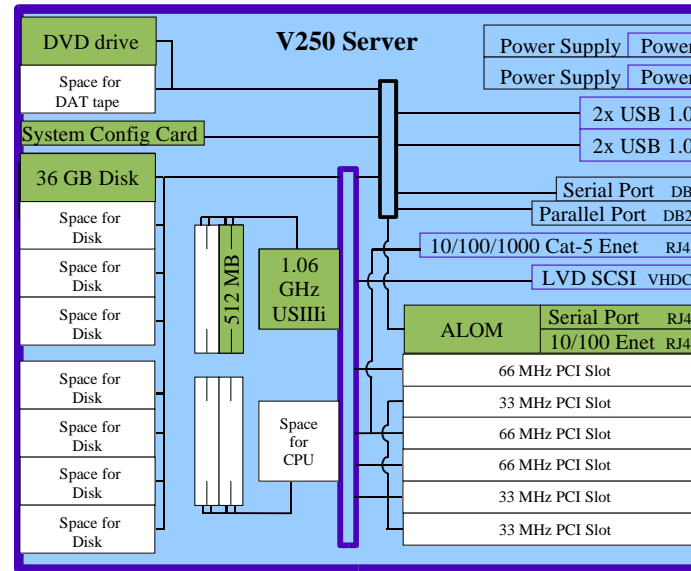
DDS-4 Tape

Disk Options

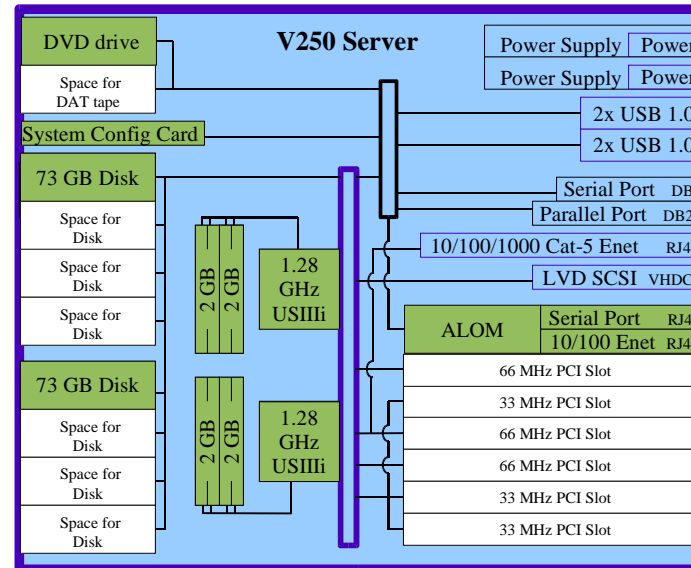
36 GB Disk

73 GB Disk

Memory Options



1 CPU, 512 MB memory, 1x 36 GB disk, base configuration



2 CPU's, 8 GB memory, 2x 73 GB disk, base configuration

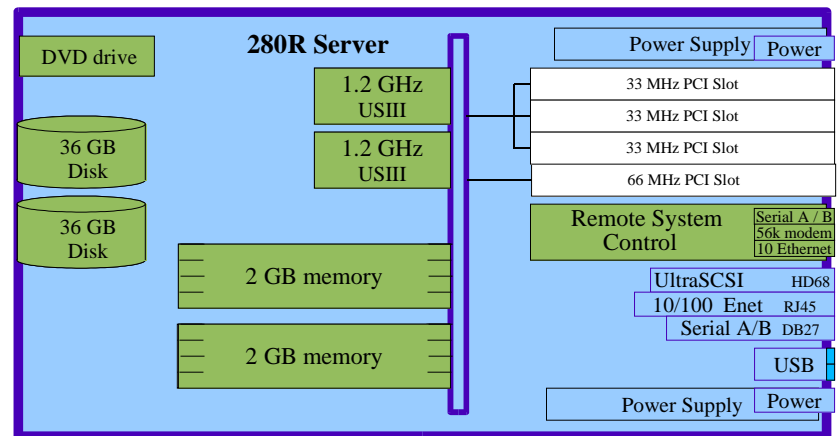


280R Server Detail



280R Server

- 2 USIII CPU's - 1.2 GHz
- 4 GB memory (8 GB max)
- 2 internal 36 disks
- 4 PCI Cards - 1x 66 MHz, 3x 33 MHz
- DVD Drive
- N+1 Power & Fans.
- Dual Power Cords
- 4 Rack Units (7 in.) high
- Included Rack Mount Kit fits
- Sun 900 Rack, Sun 72" Cab, Sun Fire Cab



V440 Server Detail



V440 Server

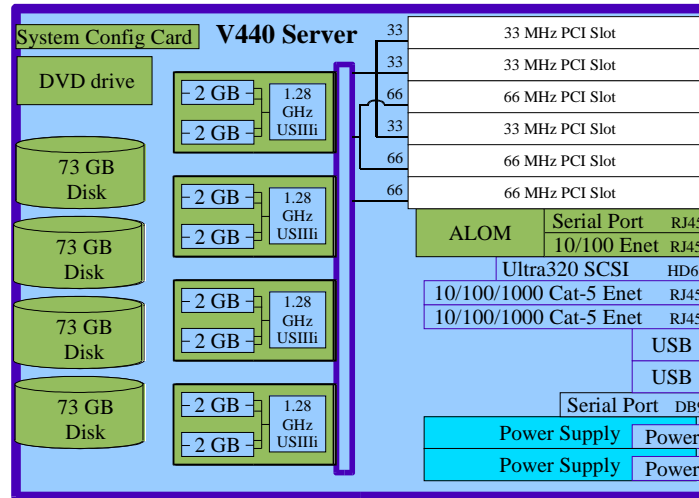
Capacity:

- 4 USIIIi CPU's - 1.062 or 1.28 GHz each
- 16 GB memory (4 GB per CPU)
- 4 internal 36 or 73 GB Ultra320 SCSI disks
- 6 PCI Cards - 3x 66/33 MHz, 3x 33 MHz
- 2 10/100/1000Base -T Ethernet Ports
- DVD Drive
- Advanced Lights Out Management (ALOM) Card
- System Configuration Card
- Redundant Power Supplies.
- 2 Power Cords
- 4 Rack Units high

Ships with:

- Rack Mounting with cable management
fits Sun 900 Rack, Sun 72" Cab, Sun Fire Cab
- System Key
- RJ-45 to DB-9 Adapter
- RJ-45 to DB-25 Adapter
- Cat5 RJ-45 cable

Disk Options



4 CPU's, 16 GB memory, 4 x 73 GB disk, base configuration

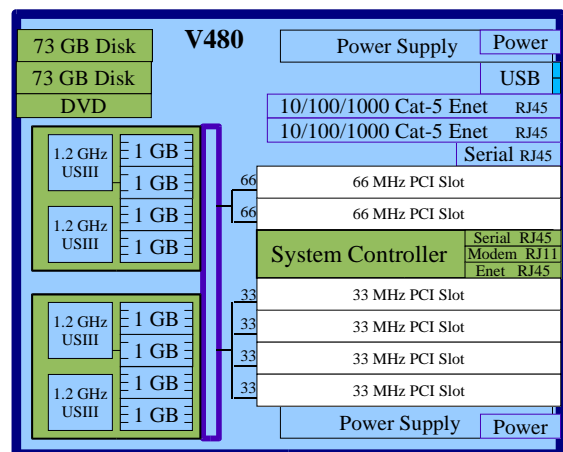


V480 Server Detail



V480 Server

4 USIII CPU's – 1.2 GHz
 32 GB memory
 2 internal 73 GB FCAL disks
 DVD
 6 PCI Cards - 2x 66 MHz, 4x 33 MHz
 2x 10/100/1000 Cat-5 Ethernet
 N+1 Power & Fans.
 Dual Power Cords
 5 Rack Units (8.75 in.) high
 Included Rack Mount Kit fits
 Sun 900 Rack & Sun 72" Cabinet

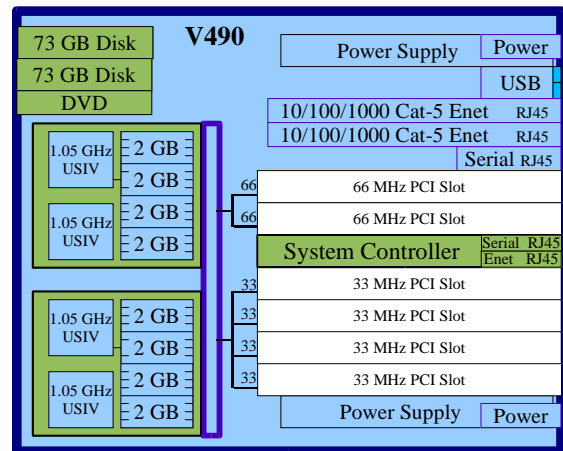


V490 Server Detail



V490 Server

4 USIV CPU's – 1.05 GHz
32 GB memory
2 internal 73 or 146 GB FCAL disks
DVD
6 PCI Cards - 2x 66 MHz, 4x 33 MHz
2x 10/100/1000 Cat-5 Ethernet
N+1 Power & Fans.
Dual Power Cords
5 Rack Units (8.75 in.) high
Included Rack Mount Kit fits
Sun 900 Rack & Sun 72" Cabinet

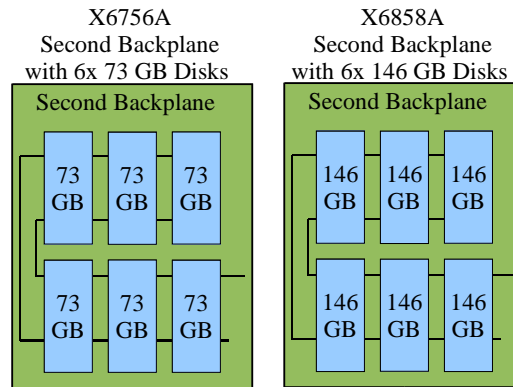
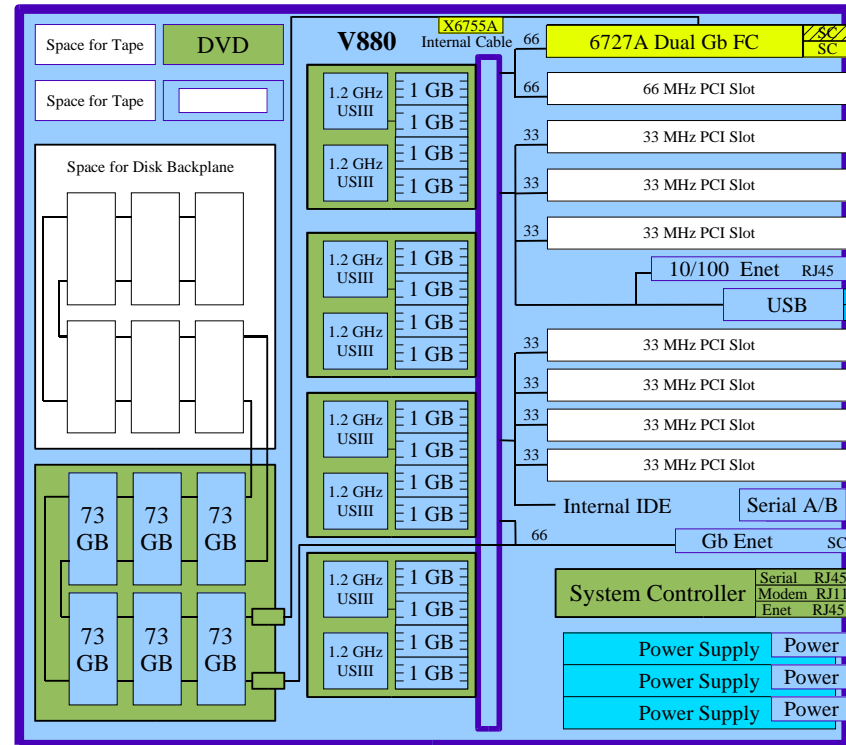


V880 Server Detail



V880 Server

- 8 USIII CPU's - 1.2 GHz
- 16 GB memory (64 GB max)
- 6 internal 73 GB FCAL disks (12 max)
- DVD
- 9 PCI Cards - 2x 66 MHz, 7x 33 MHz
- 10/100 Enet
- Fiber 1000 Enet
- N+1 Power & Fans.
- 3 Power Cords
- 17 Rack Units high
- X9638A Sun 900 Rack Mount Kit
- X9628A Sun 72" Cabinet Mount Kit

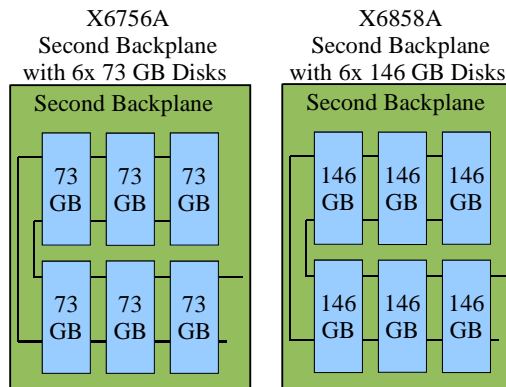
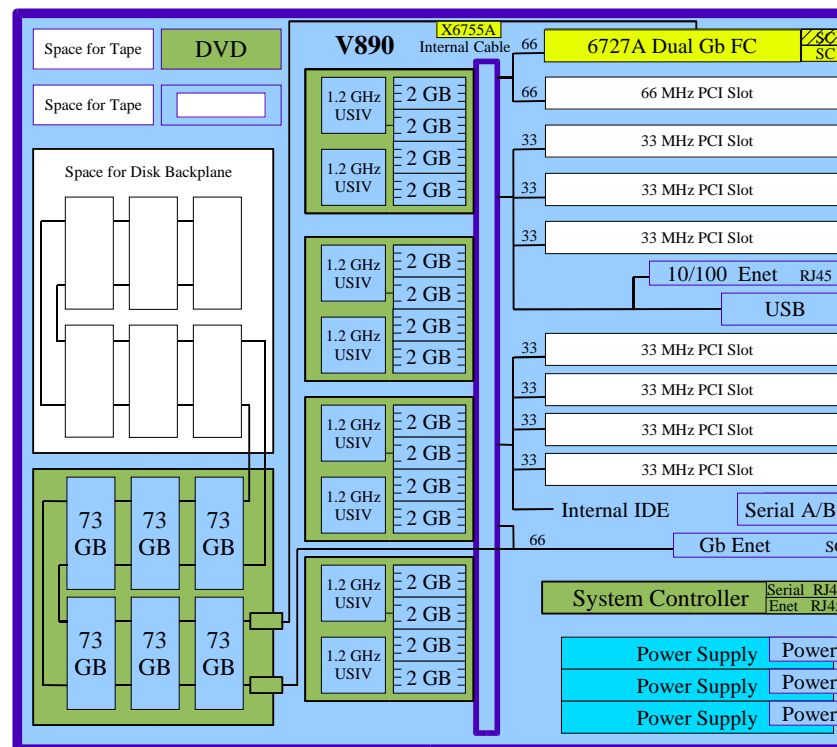


V890 Server Detail



V890 Server

- 8 USIV CPU's - 1.2 GHz
- 32 GB memory (64 GB max)
- 6 internal 73 GB FCAL disks (12 max)
- DVD
- 9 PCI Cards - 2x 66 MHz, 7x 33 MHz
- 10/100 Enet
- Fiber 1000 Enet
- N+1 Power & Fans.
- 3 Power Cords
- 17 Rack Units high
- X9638A Sun 900 Rack Mount Kit
- X9628A Sun 72" Cabinet Mount Kit



V20z Server Detail



V20z Server

Capacity:

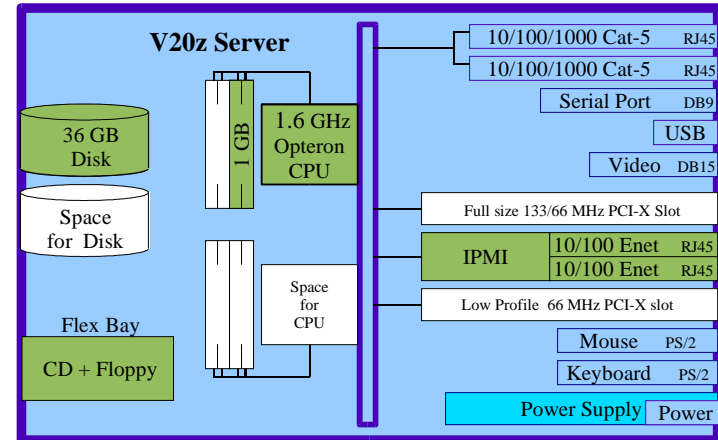
- 1 or 2 AMD Opteron CPU's - 1.6, 1.8 or 2.2 GHz
- 1 - 16 GB memory
- 1-2 internal U320 SCSI (36/73) disk drives
- CD + Floppy Drive
- 2 PCI-X Card Slots - 133/66 MHz
 - 1 Full-Size 133/66 MHz , 1 Low Profile 66 MHz
- 2 10/100/1000 BaseT Ethernet Ports
- 1 USB port
- PS/2 keyboard / mouse support
- IPMI System Processor
- 1 power cord
- 1 Rack Unit high
- X9267A Rack Mount Kit for Sun Rack 900
- Not Supported in 72" Cabinet

Ships with:

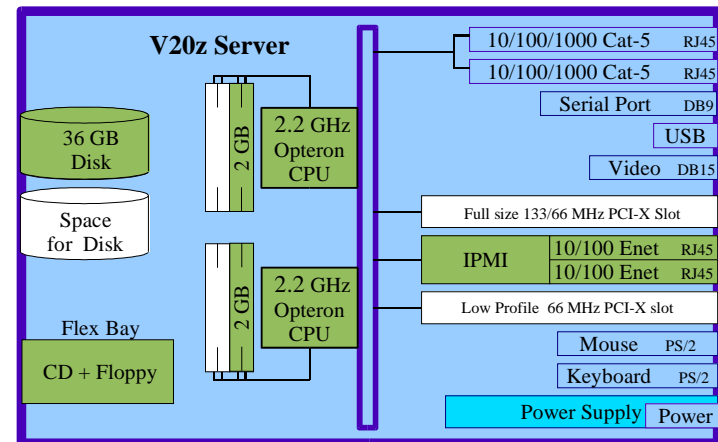
Linux Resource CD (drivers, IPMI utils, etc.)

	PCI-X Cards	
	Low Profile (also fits Full Size Slot)	
	9265A U320 SCSI	VHDCI VHDCI
	9271A 1000/100/10 Enet	RJ45
	9272A 1000/100/10 Enet	RJ45 RJ45
	133 MHz Only	
	9279A 2 Gb FC-AL	LC
	Full Size Only	
	9273A Quad 1000/100 Enet	RJ45

Disk Options	Flex Bay Options



1x 1.6 MHz CPU, 1 GB memory, 1x 36 GB disk configuration



2x 2.2 GHz CPU's, 4 GB memory, 2x 36 GB disk configuration



V60x Server Detail



V60x Server

Capacity:

- 1 or 2 Intel Xeon 2.8 or 3.2 GHz CPU's
- 512MB- 6 GB memory
- 1-3 internal U-320 LVD (36/73/146) disk drives
- CD + Floppy Drive
- 2 PCI-X Card Slots - 100/66/33 MHz
 - 1 Full-Size, 1 Low-Profile PCI
- 2 10/100/1000 BaseT Ethernet Ports
- 3 USB ports
- PS/2 keyboard / mouse support
- Graphics support up to 1600 x 1200
- IPMI for remote management
- 1 power cord
- 1 Rack Unit high
- X5030A Rack Mount Kit for Sun Rack 900 & 72" Cabinet
- X5137A Serial & RJ45 dongle kit

Ships with:

- Linux Resource CD (drivers, IPMI utils, etc.)
- PS/2 "Y" splitter

Disk Options

- 36 GB Disk
- 73 GB Disk

PCI Card Options

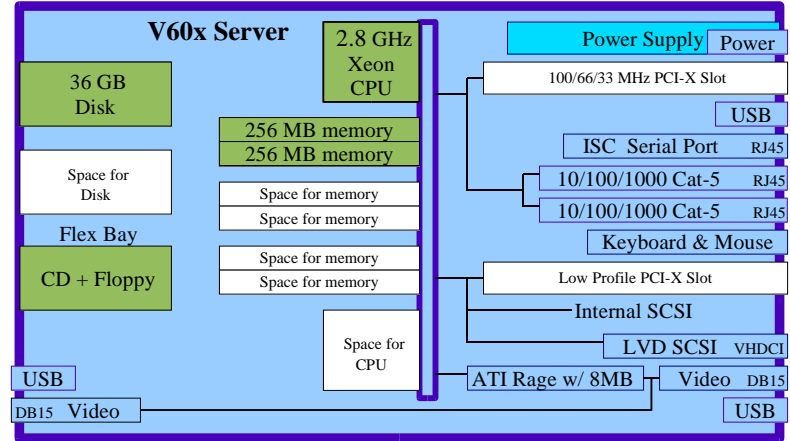
- 5132A RAID Controller
- 5133A 1 Gb FC SC

Memory Options

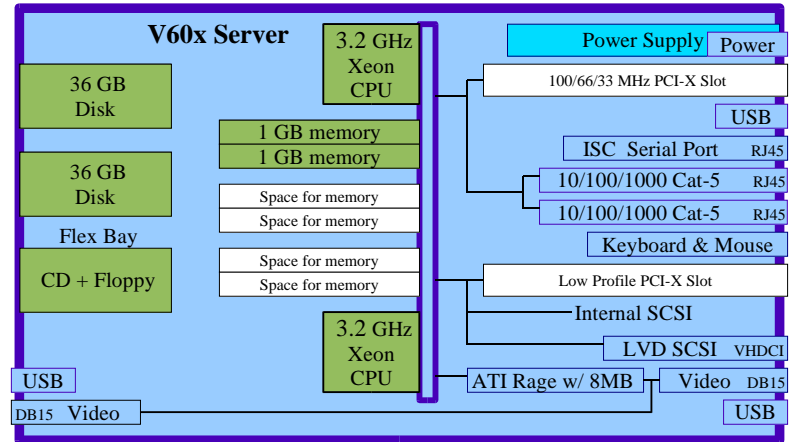
- 256 MB memory
- 512 MB memory
- 1 GB memory
- 256 MB memory
- 512 MB memory
- 1 GB memory

Flex Bay Options

- DVD + Floppy
- 36 GB Disk
- 73 GB Disk
- 146 GB Disk



1x 2.8 GHz CPU, 512 MB memory, 1x 36 GB disk configuration



2x 3.2 GHz CPU's, 2 GB memory, 2x 36 GB disk configuration



V65x Server Detail



V65x Server

Capacity:

- 1 or 2 Intel Xeon CPU's, 2.8 GHz or 3.2 GHz
- 512MB- 12 GB memory
- 1-6 internal U-320 LVD (36/73/146) disk drives
- CD + Floppy Drive
- 6 PCI-X Cards - 100/66/33 MHz
- 3 Full-size PCI slots, 3 Low-profile slots
- 2 10/100/1000 BaseT Ethernet Ports
- 3 USB ports
- PS/2 keyboard / mouse support
- Graphics support up to 1600 x 1200
- IPMI for remote management
- Redundant Power Supply Option.
- 1 Power Cords per Power Supply
- 2 Rack Units high
- X5030A Rack Mount Kit for Sun Rack 900 & 72" Cabinet
- X5137A Serial & RJ45 dongle kit

Ships with:

- Linux Resource CD (drivers, IPMI utils, etc.)
- PS/2 "Y" splitter

Disk Options

- 36 GB Disk
- 73 GB Disk
- 146 GB Disk

Redundant Power Option

- 2nd Power Supply

Flex Bay Options

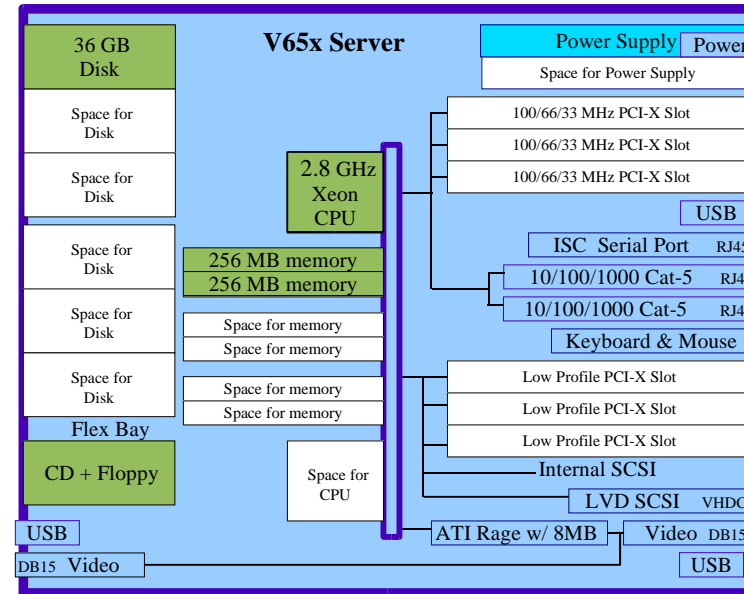
- DVD + Floppy

PCI Card Options

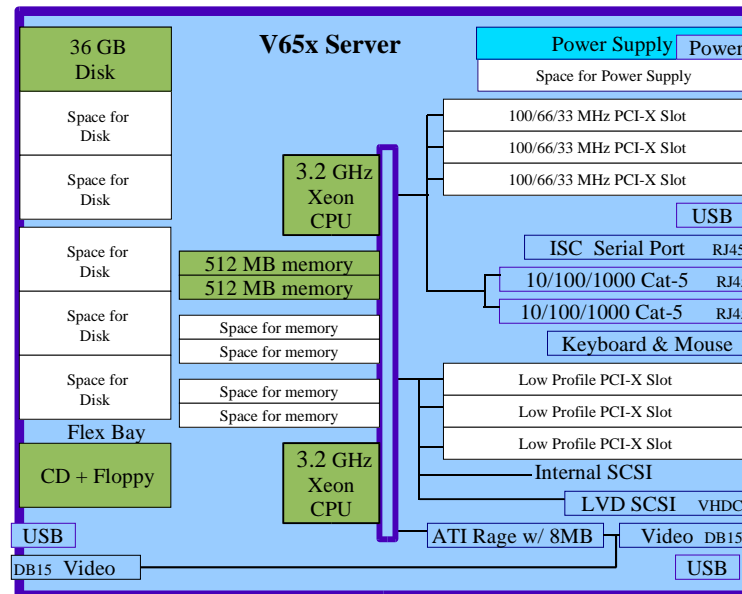
- 5132A RAID Controller
- 5133A 1 Gb FC

Memory Options

- | | | | |
|---------------|---------------|-------------|-------------|
| 256 MB memory | 512 MB memory | 1 GB memory | 2 GB memory |
| 256 MB memory | 512 MB memory | 1 GB memory | 2 GB memory |



1x 2.8 GHz CPU, 512 GB memory, 1x 36 GB disk configuration



2x 3.2 GHz CPU, 1 GB memory, 1x 36 GB disk configuration



PCI Cards & Cables

PCI Cards

66/33 MHz PCI Cards

3150A 1000/100/10 Enet	RJ45
3151A Gb Enet	MMF
6799A Gb FC	SC
6727A Dual Gb FC	SC SC
SG-XPCI1FC-QF2 2Gb FC	LC
SG-XPCI2FC-QF2 2Gb FC	LC LC
SG-XPCI1FC-JF2 JN1 2Gb	LC
SG-XPCI2FC-JF2 JN1 2Gb	LC LC
6758A Dual LVD SCSI	VHDCI VHDCI
4422A	10/100/1000 Enet RJ45s SE/LVD SCSI VHDCI's
4444A 10/100/1000 Enet	RJ45

Was 6767A

Was 6768A

Full Length: does not fit into V2900/V1280

33 MHz PCI Cards

6540A UltraSCSI	VHDCI VHDCI
6541A UltraSCSI Diff	VHDCI VHDCI
1071A HIPPI/P 1.1	
1155A High Speed Serial 2.0	
1157A ATM 155 4.0	MMF
2156A Serial Async 3.0	
1074A SCI cluster	

SCSI Cables

HD68 - HD68

X1134A HD68-HD68 0.8 meter	X1139A HD68-HD68 2 meters	X3810A HD68-HD68 4 meters	X979A HD68-HD68 12 meters
---	--	--	--

VHDCI - HD68

X1132A VHDCI-HD68 0.8 meter	X3832A VHDCI-HD68 2 meters	X3830A VHDCI-HD68 4 meters	X3831A VHDCI-HD68 10 meters
--	---	---	--

VHDCI - VHDCI

X1136A VHDCI-VHDCI 0.8 meter	X1137A VHDCI-VHDCI 1.2 meters	X1138A VHDCI-VHDCI 2 meters	X3830B VHDCI-VHDCI 4 meters
		X3831B VHDCI-VHDCI 10 meters	

Fibre Cables

SC - SC Fibre

X973A SC-SC fibre 2 meters	X9715A SC-SC fibre 5 meters	X978A SC-SC fibre 15 meters
		X9739A SC-SC fibre 100 meters

SC - LC Fibre

X9721A SC-LC fibre 0.4 meter	X9722A SC-LC fibre 2 meters	X9723A SC-LC fibre 5 meters	X9724A SC-LC fibre 15 meters
		X9735A SC-LC fibre 25 meters	X9737A SC-LC fibre 50 meters

LC / LC Fibre

X9732A LC-LC fibre 2 meters	X9733A LC-LC fibre 5 meters	X9734A LC-LC fibre 15 meters
	X9736A LC-LC fibre 25 meters	X9738A LC-LC fibre 50 meters



Site Plan

2 ft x 2 ft
Tile

Power cords are
NEMA #L6-30P
200/240 VAC
Single Phase
24 amps each



9 outlets	9 outlets
11 connects: 7 reg cords 2 split cords	11 connects: 7 reg cords 2 split cords

72" Cabinet

Front Door Option

72" Cabinet
24" Width
37" Depth
73.7" Height
Clearances:
48" Front
36" Back

Power cords are
NEMA L6-20P
200/240 VAC
Single Phase
16 amps each



24 outlets	24 outlets
Power Distribution Sys: 12 outlets per external power cord 20 internal cords included	

Sun Rack 900

Front Door Option

Sun Rack 900
23.5" Width
35.4" Depth
74" Height
Clearances:
48" Front
36" Back

