

*Sun™ Ultra™ 2 Series
to Sun™ Ultra™ 30 System
Upgrade Guide*



The Network Is the Computer™

Sun Microsystems Computer Company

2550 Garcia Avenue
Mountain View, CA 94043 USA
415 960-1300 fax 415 969-9131

Part No.: 802-7724-10
Revision A, June 1997

Copyright 1997 Sun Microsystems, Inc. 2550 Garcia Avenue, Mountain View, California 94043-1100 U.S.A. All rights reserved.

This product or document is protected by copyright and distributed under licenses restricting its use, copying, distribution, and decompilation. No part of this product or document may be reproduced in any form by any means without prior written authorization of Sun and its licensors, if any. Third-party software, including font technology, is copyrighted and licensed from Sun suppliers.

Parts of the product may be derived from Berkeley BSD systems, licensed from the University of California. UNIX is a registered trademark in the U.S. and other countries, exclusively licensed through X/Open Company, Ltd.

Sun, Sun Microsystems, the Sun logo, AnswerBook, SunDocs, Ultra, SunCD 2Plus, and Solaris are trademarks, registered trademarks, or service marks of Sun Microsystems, Inc. in the U.S. and other countries. All SPARC trademarks are used under license and are trademarks or registered trademarks of SPARC International, Inc. in the U.S. and other countries. Products bearing SPARC trademarks are based upon an architecture developed by Sun Microsystems, Inc.

The OPEN LOOK and Sun™ Graphical User Interface was developed by Sun Microsystems, Inc. for its users and licensees. Sun acknowledges the pioneering efforts of Xerox in researching and developing the concept of visual or graphical user interfaces for the computer industry. Sun holds a non-exclusive license from Xerox to the Xerox Graphical User Interface, which license also covers Sun's licensees who implement OPEN LOOK GUIs and otherwise comply with Sun's written license agreements.

RESTRICTED RIGHTS: Use, duplication, or disclosure by the U.S. Government is subject to restrictions of FAR 52.227-14(g)(2)(6/87) and FAR 52.227-19(6/87), or DFAR 252.227-7015(b)(6/95) and DFAR 227.7202-3(a).

DOCUMENTATION IS PROVIDED "AS IS" AND ALL EXPRESS OR IMPLIED CONDITIONS, REPRESENTATIONS AND WARRANTIES, INCLUDING ANY IMPLIED WARRANTY OF MERCHANTABILITY, FITNESS FOR A PARTICULAR PURPOSE OR NON-INFRINGEMENT, ARE DISCLAIMED, EXCEPT TO THE EXTENT THAT SUCH DISCLAIMERS ARE HELD TO BE LEGALLY INVALID.

Copyright 1997 Sun Microsystems, Inc., 2550 Garcia Avenue, Mountain View, Californie 94043-1100 Etatis-Unis. Tous droits réservés.

Ce produit ou document est protégé par un copyright et distribué avec des licences qui en restreignent l'utilisation, la copie, la distribution, et la décompilation. Aucune partie de ce produit ou document ne peut être reproduite sous aucune forme, par quelque moyen que ce soit, sans l'autorisation préalable et écrite de Sun et de ses bailleurs de licence, s'il y en a. Le logiciel détenu par des tiers, et qui comprend la technologie relative aux polices de caractères, est protégé par un copyright et licencié par des fournisseurs de Sun.

Des parties de ce produit pourront être dérivées des systèmes Berkeley BSD licenciés par l'Université de Californie. UNIX est une marque déposée aux Etats-Unis et dans d'autres pays et licenciée exclusivement par X/Open Company, Ltd.

Sun, Sun Microsystems, le logo Sun, AnswerBook, SunDocs, Ultra, SunCD 2Plus, et Solaris sont des marques de fabrique ou des marques déposées, ou marques de service, de Sun Microsystems, Inc. aux Etats-Unis et dans d'autres pays. Toutes les marques SPARC sont utilisées sous licence et sont des marques de fabrique ou des marques déposées de SPARC International, Inc. aux Etats-Unis et dans d'autres pays. Les produits portant les marques SPARC sont basés sur une architecture développée par Sun Microsystems, Inc.

L'interface d'utilisation graphique OPEN LOOK et Sun™ a été développée par Sun Microsystems, Inc. pour ses utilisateurs et licenciés. Sun reconnaît les efforts de pionniers de Xerox pour la recherche et le développement du concept des interfaces d'utilisation visuelle ou graphique pour l'industrie de l'informatique. Sun détient une licence non exclusive de Xerox sur l'interface d'utilisation graphique Xerox, cette licence couvrant également les licenciés de Sun qui mettent en place l'interface d'utilisation graphique OPEN LOOK et qui en outre se conforment aux licences écrites de Sun.

CETTE PUBLICATION EST FOURNIE "EN L'ETAT" ET AUCUNE GARANTIE, EXPRESSE OU IMPLICITE, N'EST ACCORDEE, Y COMPRIS DES GARANTIES CONCERNANT LA VALEUR MARCHANDE, L'APTITUDE DE LA PUBLICATION A REpondre A UNE UTILISATION PARTICULIERE, OU LE FAIT QU'ELLE NE SOIT PAS CONTREFAISANTE DE PRODUIT DE TIERS. CE DENI DE GARANTIE NE S'APPLIQUERAIT PAS, DANS LA MESURE OU IL SERAIT TENU JURIDIQUEMENT NUL ET NON AVENU.



Regulatory Compliance Statements

Your Sun product is marked to indicate its compliance class:

- Federal Communications Commission (FCC) — USA
- Department of Communications (DOC) — Canada
- Voluntary Control Council for Interference (VCCI) — Japan

Please read the appropriate section that corresponds to the marking on your Sun product before attempting to install the product.

FCC Class A Notice

This device complies with Part 15 of the FCC Rules. Operation is subject to the following two conditions:

1. This device may not cause harmful interference.
2. This device must accept any interference received, including interference that may cause undesired operation.

Note: This equipment has been tested and found to comply with the limits for a Class A digital device, pursuant to Part 15 of the FCC Rules. These limits are designed to provide reasonable protection against harmful interference when the equipment is operated in a commercial environment. This equipment generates, uses and can radiate radio frequency energy and, if not installed and used in accordance with the instruction manual, may cause harmful interference to radio communications. Operation of this equipment in a residential area is likely to cause harmful interference in which case the user will be required to correct the interference at his own expense.

Shielded Cables: Connections between the workstation and peripherals must be made using shielded cables in order to maintain compliance with FCC radio frequency emission limits. Networking connections can be made using unshielded twisted-pair (UTP) cables.

Modifications: Any modifications made to this device that are not approved by Sun Microsystems, Inc. may void the authority granted to the user by the FCC to operate this equipment.

FCC Class B Notice

This device complies with Part 15 of the FCC Rules. Operation is subject to the following two conditions:

1. This device may not cause harmful interference.
2. This device must accept any interference received, including interference that may cause undesired operation.

Note: This equipment has been tested and found to comply with the limits for a Class B digital device, pursuant to Part 15 of the FCC Rules. These limits are designed to provide reasonable protection against harmful interference in a residential installation. This equipment generates, uses and can radiate radio frequency energy and, if not installed and used in accordance with the instructions, may cause harmful interference to radio communications. However, there is no guarantee that interference will not occur in a particular installation. If this equipment does cause harmful interference to radio or television reception, which can be determined by turning the equipment off and on, the user is encouraged to try to correct the interference by one or more of the following measures:

- Reorient or relocate the receiving antenna.
- Increase the separation between the equipment and receiver.
- Connect the equipment into an outlet on a circuit different from that to which the receiver is connected.
- Consult the dealer or an experienced radio/television technician for help.

Shielded Cables: Connections between the workstation and peripherals must be made using shielded cables in order to maintain compliance with FCC radio frequency emission limits. Networking connections can be made using unshielded twisted pair (UTP) cables.

Modifications: Any modifications made to this device that are not approved by Sun Microsystems, Inc. may void the authority granted to the user by the FCC to operate this equipment.

DOC Class A Notice - Avis DOC, Classe A

This Class A digital apparatus meets all of requirements the Canadian Interference-Causing Equipment Regulations.
Cet appareil numérique de la classe A respecte toutes les exigences du Règlement sur le matériel brouilleur du Canada.

DOC Class B Notice - Avis DOC, Classe B

This Class B digital apparatus meets all of requirements the Canadian Interference-Causing Equipment Regulations.
Cet appareil numérique de la classe B respecte toutes les exigences du Règlement sur le matériel brouilleur du Canada.

VCCI 基準について


第一種VCCI基準について

第一種VCCIの表示があるワークステーションおよびオプション製品は、第一種情報装置です。これらの製品には、下記の項目が該当します。

この装置は、第一種情報装置(商工業地域において使用されるべき情報装置)で商工業地域での電波障害防止を目的とした情報処理装置等電波障害自主規制協議会(VCCI)基準に適合しております。したがって、本製品を、住宅地域または住宅地域に隣接した地域でご使用になりますと、ラジオ、テレビジョン受信機等に受信障害を与えることがあります。

取り扱い説明書に従って正しくお取り扱いください。

第二種VCCI基準について

第二種VCCIの表示  があるワークステーションおよびオプション製品は、第二種情報装置です。これらの製品には、下記の項目が該当します。

この装置は、第二種情報装置(住宅地域または住宅地域に隣接した地域において使用されるべき情報装置)で住宅地域での電波障害防止を目的とした情報処理装置等電波障害自主規制協議会(VCCI)基準に適合しております。しかし、本製品を、ラジオ、テレビジョン受信機に近接してご使用になりますと、受信障害の原因となることがあります。

取り扱い説明書に従って正しくお取り扱いください。

Contents

Preface.....	vii
1. Overview	1
Upgrade Kit	2
Safety Requirements	2
Symbols.....	3
Safety Precautions	3
Modification to Equipment.....	3
Placement of a Sun Product	3
Power Cord Connection	3
Electrostatic Discharge	4
Lithium Battery	4
Tools Required	4
Electrostatic Discharge (ESD) Precautions	5

2. Removing Ultra 2 Series Internal Components	7
Powering Off the System	7
Removing the Cover	9
Attaching the Wrist Strap	11
Removing DIMMs	12
Removing Disk Drives	14
Removing a CD-ROM/Tape Drive	16
Replacing the Bracket into the Chassis	18
Replacing the Cover.....	18
Returning the Old System.....	19

Preface

This document describes how to upgrade a Sun™ Ultra™ 2 or Ultra™ 2 Creator Series system to a Sun™ Ultra™ 30 system.

How This Book Is Organized

Chapter 1, “Overview,” outlines the process to be followed in upgrading a Sun Ultra 2 or Ultra 2 Creator Series system to a Sun Ultra 30 Series system.

Chapter 2, “Removing Ultra 2 Series Internal Components,” describes how to remove components from an Ultra 2 Series system to be transferred to an Ultra 30 Creator Series system.

UNIX Commands

This document does not include specific software commands or procedures. Instead, it may name software tasks and refer you to operating system documentation or the handbook that was shipped with your new hardware.

The type of information that you might need to use references for includes:

- Shutting down the system
- Booting the system
- Configuring devices
- Other basic software procedures

See one or more of the following:

- *Solaris 2.x Handbook for SMCC Peripherals* contains Solaris™ 2.x software commands. (If you are incorporating the software commands in your document, delete this sentence.)
- On-line AnswerBook™ for the complete set of documentation supporting the Solaris 2.x software environment.
- Other software documentation that you received with your system.

Typographic Conventions

The following table describes the typographic changes used in this book.

Typeface or Symbol	Meaning	Example
AaBbCc123	The names of commands, files, and directories; on-screen computer output	Edit your <code>.login</code> file. Use <code>ls -a</code> to list all files. <code>machine_name%</code> You have mail.
AaBbCc123	What you type, contrasted with on-screen computer output	<code>machine_name%</code> su Password:
<i>AaBbCc123</i>	Command-line placeholder: replace with a real name or value	To delete a file, type <code>rm filename</code> .
<i>AaBbCc123</i>	Book titles, new words or terms, or words to be emphasized	Read Chapter 6 in the <i>User's Guide</i> . These are called <i>class</i> options. You <i>must</i> be root to do this.

Shell Prompts

The following table shows the default system prompt and superuser prompt for the C shell, Bourne shell, and Korn shell.

Shell	Prompt
C shell	machine_name%
C shell superuser	machine_name#
Bourne shell and Korn shell	\$
Bourne shell and Korn shell superuser	#

Related Documents

The following documents contain topics that relate to the information in *Sun Ultra 2 Series to Sun Ultra 30 System Upgrade Guide*

Application	Title	Part Number
Installation	<i>Sun Ultra 30 Hardware Setup Instructions</i>	805-7714-xx
	<i>Sun Ultra 30 System Installation Guide</i>	805-7715-xx, 805-7716-xx, 805-7717-xx

Ordering Sun Documents

The SunDocs Order Desk is a distribution center for Sun Microsystems technical documents. You can use major credit cards and company purchase orders. You can order documents in the following ways:

Country	Telephone	Fax
United States	1-800-873-7869	1-800-944-0661
United Kingdom	0-800-89-88-88	0-800-89-88-87
France	05-90-61-57	05-90-61-58
Belgium	02-720-09-09	02-725-88-50
Luxembourg	32-2-720-09-09	32-2-725-88-50
Germany	01-30-81-61-91	01-30-81-61-92
The Netherlands	06-022-34-45	06-022-34-46
Sweden	020-79-57-26	020-79-57-27
Switzerland	155-19-26	155-19-27
Japan	0120-33-9096	0120-33-9097

World Wide Web: <http://www.sun.com/sunexpress/>

Sun Welcomes Your Comments

You can email or fax your comments to us. Please include the part number of your document in the subject line of your email or fax message.

- Email: smcc-docs@sun.com
- Fax: SMCC Document Feedback
1-415-786-6443

Overview



Read the documentation in the RMA (Return Material Authorization) information package provided with the upgrade.

Review the information in this chapter, and then proceed to Chapter 2, “Removing Ultra 2 Series Internal Components” for information on:

1. Disconnecting the Sun Ultra 2 Series monitor, keyboard, mouse, and associated cables.
2. Removing DIMMs (memory modules) and internal storage devices from the Sun Ultra 2 Series system, and installing them in the Sun Ultra 30 System.

Refer to the *Sun Ultra 30 System Installation Guide* for information about installing components removed from the Sun Ultra 2 Series system into the Sun Ultra 30 System.

Note – SBus cards are not supported by the Sun Ultra 30 system. Refer to *Sun Ultra 30 System Product Notes* for more information.

3. Connecting the monitor, keyboard, and mouse to the Sun Ultra 30 System as shown in the *Sun Ultra 30 Installation Guide*.
4. Packing the old components, following the instructions in the RMA information package about packing, and returning the Sun Ultra 2 Series enclosure and those components not used in the Sun Ultra 30 System.

5. Returning the old system to Sun, as directed by the RMA information package documents.

If you have any additional questions, contact your Sun sales representative.

Upgrade Kit

The upgrade kit contains some hardware parts needed to complete the upgrade process, as well as upgrade instructions.

- Electrostatic discharge kit, part number 560-1302-xx, so you can safely handle parts that are sensitive to damage by static electricity.
- *Sun Ultra 2 Series to Sun Ultra 30 System Upgrade Guide*, (part number 802-7724-10).

Safety Requirements

For protection, observe the following safety precautions when working on the equipment:

- Follow all cautions, warnings, and instructions marked on the equipment.
- Ensure that the voltages and frequency rating of the power receptacle match the electrical rating label on the equipment.
- Never push objects of any kind through openings in the equipment. They may touch dangerous voltage points or short components resulting in fire or electric shock.
- Refer servicing of equipment to qualified personnel.

Symbols

The following symbols mean:



Caution – Risk of personal injury and equipment damage. Follow the instructions.



Caution – Hazardous voltages are present. To reduce the risk of electric shock and danger to personal health, follow the instructions.



Caution – Hot surfaces. Avoid contact. Surfaces are hot and may cause personal injury if touched.

Safety Precautions

Modification to Equipment



Caution – Do not make mechanical or electrical modifications to the equipment. Sun Microsystems is not responsible for regulatory compliance of a modified Sun product.

Placement of a Sun Product



Caution – To ensure reliable operation of the Sun product and to protect it from overheating, openings in the equipment must not be blocked or covered. A Sun product should never be placed near a radiator or hot air register.

Power Cord Connection



Caution – Not all power cords have the same current ratings. Household extension cords do not have overload protection. Do not use household extension cords with the Sun product.



Caution – The power switch of this product functions as a standby type device only. The power cord serves as the primary disconnect device for the system. Be sure to connect the power cord into a grounded electrical receptacle that is nearby the system and is readily accessible.

Do not connect the power cord when the power supply has been removed from the system chassis.

Electrostatic Discharge



Caution – The boards and hard disk drive contain electronic components that are extremely sensitive to static electricity. Ordinary amounts of static electricity from clothes or work environment can destroy components. Do not touch the components themselves or any metal parts. Wear a wrist strap when handling the drive assemblies, boards, or cards.

Lithium Battery



Caution – On Sun system boards, a lithium battery is molded into the real-time clock, SGS No. MK48T59Y. Batteries are not customer replaceable parts. They can explode if mistreated. Do not dispose of the battery in fire. Do not disassemble it or attempt to recharge.

Tools Required

You will need the following tools and equipment:

- Antistatic mat (included in upgrade kit)
- Wrist strap (included in upgrade kit)
- Phillips screwdriver
- Torx T-15 screwdriver
- Container for screws

Electrostatic Discharge (ESD) Precautions



Caution – The system chassis power must be set to Standby, and the AC power cord must remain connected to a power source to ensure a proper ground.

To minimize electrostatic discharge, observe the following precautions:

- Hold the system board, SBus cards, DIMMs, or system components by the edges only.
- When removing a board, card, or module from an antistatic bag, lay it on an antistatic surface such as a Sun ESD mat, antistatic bag, or disposable antistatic mat.
- Transport boards, cards, or modules in an antistatic bag.
- Always wear an antistatic wrist strap that is connected to a metal surface on the chassis, preferably the power supply case, when working on system components and parts.
- Do not place the boards, cards, or modules on an unprotected surface. Use a cushioned antistatic mat or antistatic bag. Connectors and components have very thin pins that bend easily.

Removing Ultra 2 Series Internal Components



Powering Off the System

Caution – Before you turn off system power, exit from the operating system. Failure to do so may result in loss of data.

1. If the system that you are upgrading is being used as a server, notify users that the system is going down.
2. Back up system files and data.
3. If the system that you are upgrading is being used as a server, shutdown the operating system by becoming superuser and issuing the shutdown command.

```
kiwi% su
Password:
# shutdown -gl -y
```

4. Turn off the power to the monitor.
5. Turn off all attached external devices.

6. Place the power on/standby switch to standby (⏻) (Figure 2-1).
7. Verify the following:
 - a. Front panel LED is off.
 - b. System fans are disabled.

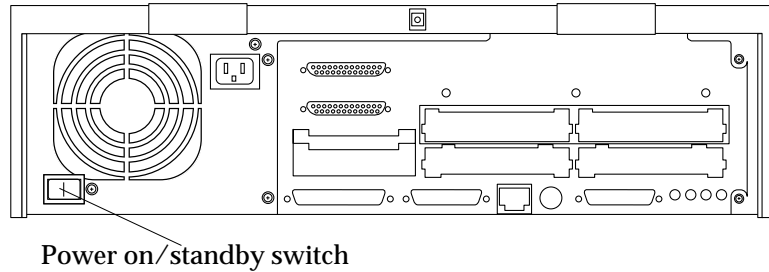


Figure 2-1 Rear View of an Ultra 2 System



Warning – Disconnect the AC power cord only before handling the power supply. Otherwise, leave the AC power cord connected and connected to a power receptacle. When the power on/standby switch is in standby (⏻) and the AC power cord remains connected to a power receptacle, AC voltage is present in the power supply transformer primary.

8. Disconnect cables to all peripheral equipment.

Removing the Cover

To remove the cover:

1. **Loosen the screw securing the lock block (if installed) to the cover and back panel. Remove the lock block (Figure 2-2).**

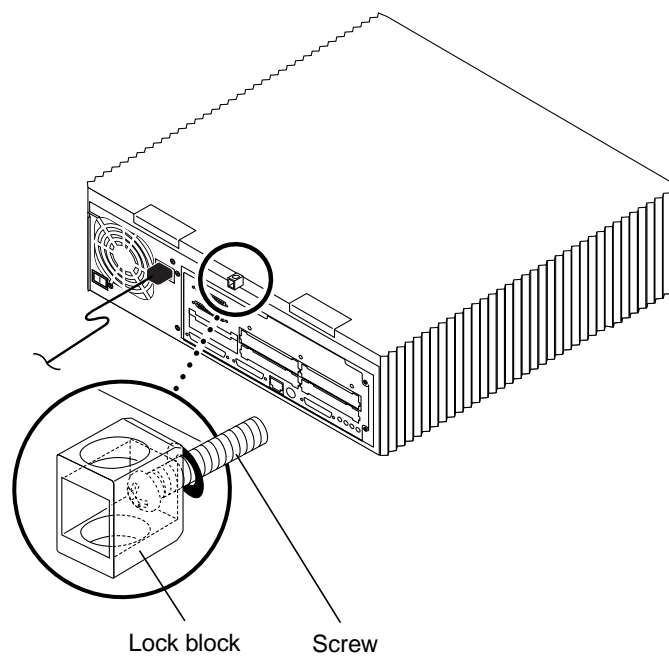


Figure 2-2 Location of Lock Block

2. Pull the two top cover tabs to free the cover from the back panel (Figure 2-3).
3. Grasp the sides of the cover and proceed as follows:
 - a. Lift the cover from the back panel (Figure 2-3).
 - b. When the cover clears the back panel, move the cover away from the front panel to free it from the chassis and set aside.

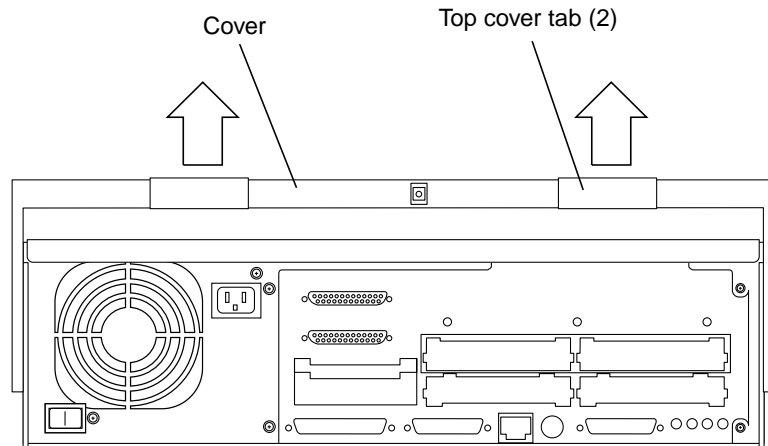


Figure 2-3 Removing the Cover

Attaching the Wrist Strap

1. Unwrap the first two folds of the wrist strap and wrap the adhesive side firmly against your wrist (Figure 2-4).
2. Peel the liner from the copper foil at the opposite end of the wrist strap and attach the copper end of the wrist strap to the power supply top.

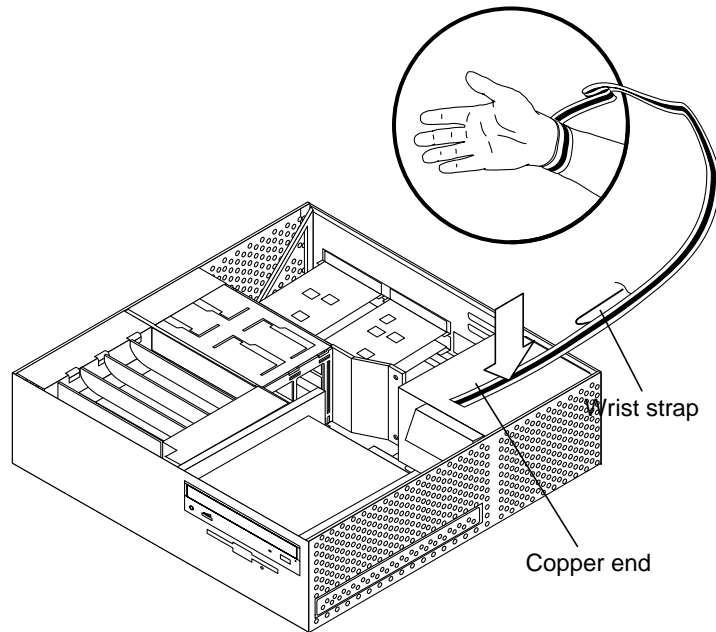


Figure 2-4 Attaching the Wrist Strap

Removing DIMMs



Caution – DIMMs consist of electronic components that are extremely sensitive to static electricity. Ordinary amounts of static electricity from clothing or work environment can destroy the DIMM.

- 1. Place an antistatic surface next to the system.**
- 2. Locate the DIMMs.**
DIMMs are located under the shroud at the left front of the system (Figure 2-5).
- 3. Lift the right side of the shroud and swing it toward the left side of the system case.**
The DIMMs are now accessible for removal.

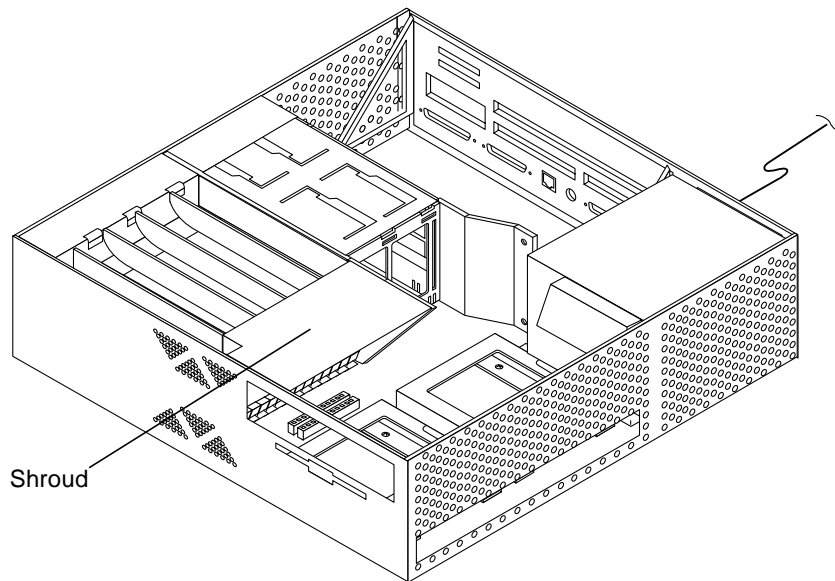


Figure 2-5 Shroud covering DIMMs.

- Use your fingers or the eraser end of a pencil to move the ejection lever away from the DIMM that you want to remove. Ejection levers are greatly enlarged to show detail in Figure 2-6.

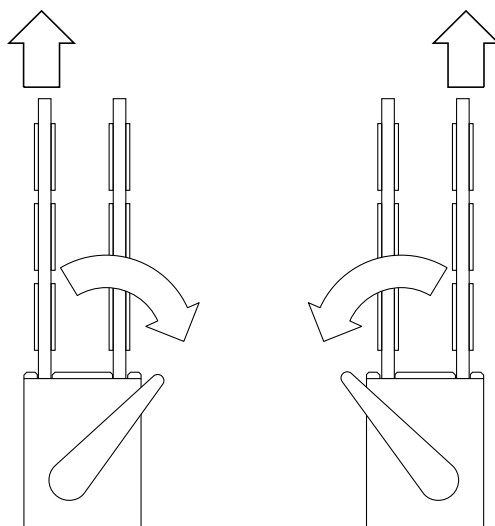


Figure 2-6 DIMM Ejection Levers

- Grasp the upper corners of the DIMM and lift to remove it from the slot. Set the removed DIMMs on an antistatic surface.

Caution – The Sun Ultra 30 System must have DIMMs installed in matched pairs. A matched pair consists of DIMMs of the same capacity and speed.

For maximum performance, install DIMMs in groups of four DIMMs, filling the bank of four. Do not mix DIMM densities in any bank.

- Install the DIMMs in the Sun Ultra 30 System.

Removing Disk Drives

1. Remove the disk drive access panel.
 - a. Open the disk drive access panel with a screwdriver (Figure 2-7).
 - b. Remove the disk drive access panel from the chassis.

Note – The EMI door must be replaced after the drive has been removed.

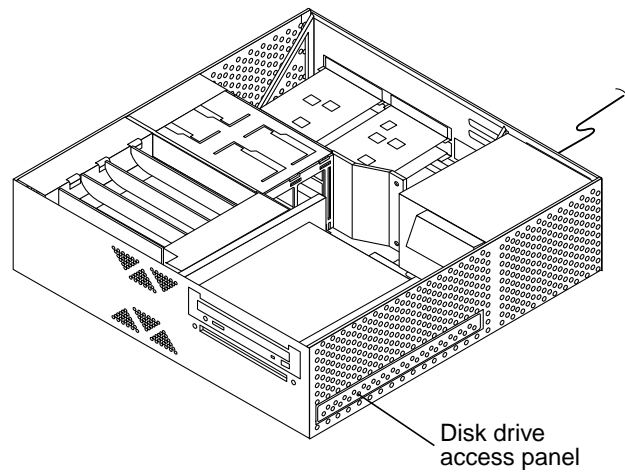


Figure 2-7 disk drive access panel

2. Locate the disk drive(s) that you want to remove.

Check the disk drive part number to select which drives may be transferred to the Sun Ultra 30 System.

Note – The disk drive part number is affixed to the front of the disk drive handle.

The disk drives supported by the Sun Ultra 30 System have part numbers 540-2936-xx and 540-2938-xx. No other internal disk drives supported on the Sun Ultra 2 Series may be transferred to the Sun Ultra 30 System.

3. Unlatch the drive handle and swing it open (Figure 2-8).

Move the drive latch to the right to unlock the drive handle.

Note – The drive rear connector is disconnected when disk drive is removed.

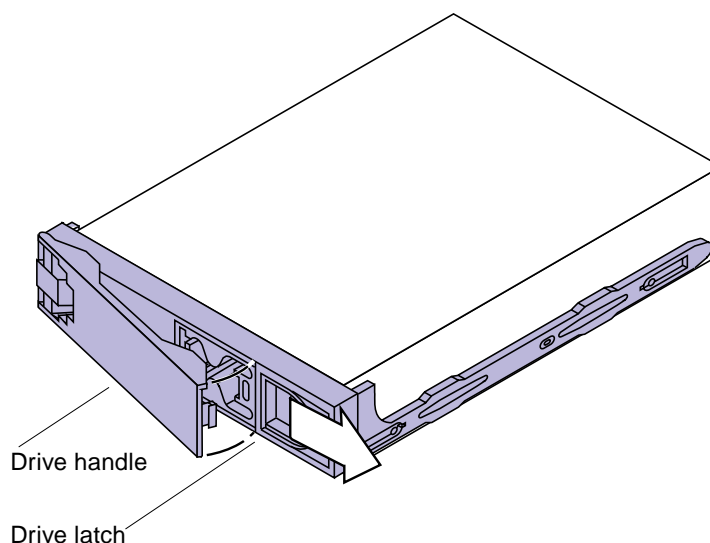


Figure 2-8 Removing the Disk Drive

4. Hold the drive handle and pull it out to remove the drive from the chassis (Figure 2-8).**5. Place the drive on an antistatic surface.**

6. Replace the disk drive access panel.

Note – The disk drive access panel must be flush with the chassis or the top cover will not fit correctly.

- a. **Position the disk drive access panel on the chassis. The two tabs should be hooked into the two slots.**
 - b. **Push the panel in until it is flush with the chassis**
- 7. Install the disk drive in the Sun Ultra 30 System.**
Refer to the *Sun Ultra 30 Installation Guide* for installation instructions.

Removing a CD-ROM/Tape Drive

- 1. Remove the screws securing the drive bracket to the chassis (Figure 2-9).**

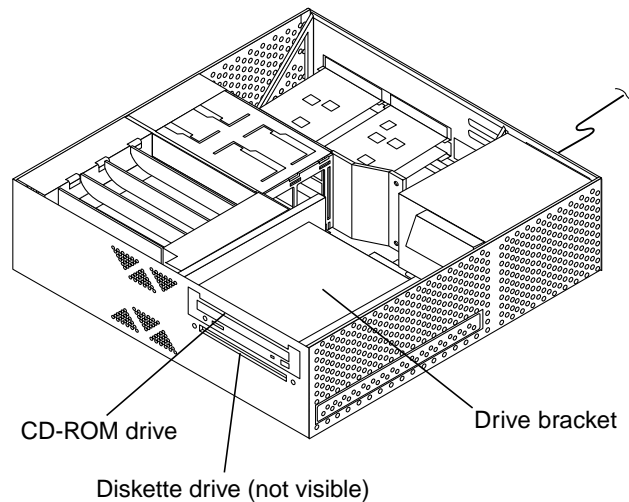


Figure 2-9 Drive bracket and drives

- 2. Remove the DC harness from the clip located on the drive bracket.**
- 3. Disconnect the DC harness from the peripheral power cable at P1.**
- 4. Push the drive bracket toward the disk drive bay and gently flip it over. Place the drive bracket on top of the disk drive bay.**

5. Disconnect the SCSI cable from the CD-ROM drive or tape drive.
6. Disconnect the peripheral power cable:
 - a. From the CD-ROM drive or tape drive (P3).
 - b. From the diskette drive (P2) if any.
7. Disconnect the diskette cable from the diskette drive (if any).
8. Place the bracket on an antistatic surface.
9. Use a Phillips screwdriver to remove the four screws securing the CD-ROM or tape drive to the drive bracket (Figure 2-10).

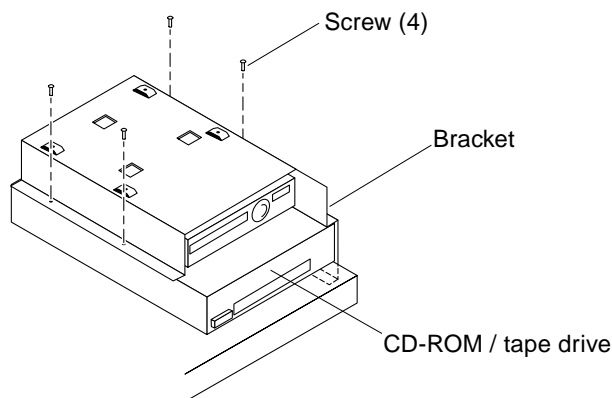


Figure 2-10 Positioning the CD-ROM/Tape Drive

Note – Save the four screws that you just removed. You will need them to install the drive in the Sun Ultra 30 System.

10. Remove the CD-ROM or tape drive, and place it aside on an antistatic surface.
11. Install the CD-ROM or tape drive in the Sun Ultra 30 System.

Replacing the Bracket into the Chassis

1. Position the drive bracket on top of the disk drive bay.
2. Connect the diskette cable to the diskette drive, if present:
3. Position the bracket into the chassis.
4. Slide the bracket toward the chassis side opening.

Note – Chassis base hooks must lock into the drive bracket bottom holes.

5. Connect the DC harness to the peripheral power cable at P1.
6. Replace the DC harness to the clip located on the drive bracket.
7. Replace the screws securing the drive bracket to the chassis.

Replacing the Cover

1. Hold the cover at a 30-degree angle to the system unit.
2. Position the cover lip to the chassis lip.
3. Lower the cover onto the system unit so that the rear of the cover is supported by the chassis back panel (Figure 2-11).
4. Press down on both sides of the cover near the front edges until it firmly seats with the chassis back panel.
5. Press the tabs near the back panel.
6. Position the lock block. Tighten the screw securing the lock block to the cover and back panel.

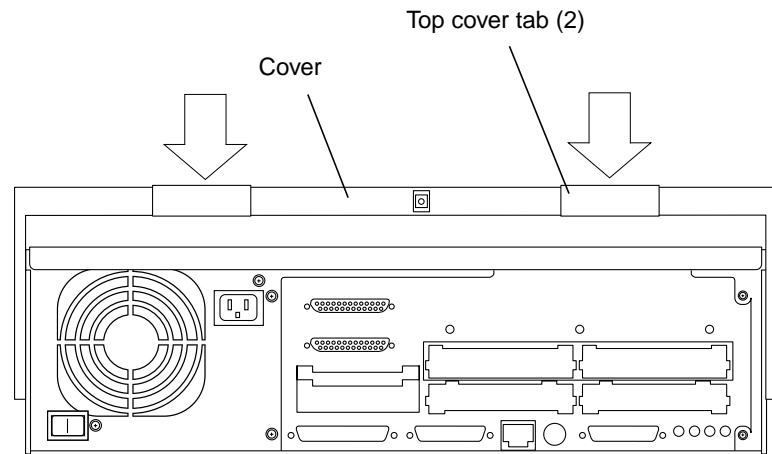


Figure 2-11 Replacing the Cover

Returning the Old System

Follow the instructions in the RMA documentation to repackage and return the Sun Ultra 2 Series system to Sun.

