

# **SANbox2-16 Fibre Channel Switch Installation Guide**

Information furnished in this manual is believed to be accurate and reliable. However, QLogic Corporation assumes no responsibility for its use, nor for any infringements of patents or other rights of third parties which may result from its use. QLogic Corporation reserves the right to change product specifications at any time without notice. Applications described in this document for any of these products are for illustrative purposes only. QLogic Corporation makes no representation nor warranty that such applications are suitable for the specified use without further testing or modification. QLogic Corporation assumes no responsibility for any errors that may appear in this document.

QLogic, SANbox, SANbox2, SANblade, and SANSurfer are trademarks or registered trademarks of QLogic Corporation.

Solaris is a registered trademarks of Sun Microsystems, Inc.

Pentium is a registered trademark of Intel Corporation.

Linux is a registered trademark of Linus Torvalds.

Microsoft, Windows NT, and Windows 2000, and Internet Explorer are registered trademarks of Microsoft Corporation.

Netscape Navigator is a registered trademark of Netscape Communications Corporation.

Red Hat is a registered trademark of Red Hat Software Inc.

All other brand and product names are trademarks or registered trademarks of their respective owners.

| <b>Document Revision History</b>                                  |                         |
|---|-------------------------|
| Revision A, Release, March 2003<br>Revision B, Update, April 2003 |                         |
| <b>Change</b>   | <b>Affected Section</b> |
| Remove support for initiator devices on TL_Ports                  | 3.1                     |
| Ping command  | B.3, B-16               |
| Begin and Stop keywords added to Admin command                    | B-4                     |
| New date and time effective immediately                           | B-9                     |
| Device scan enable  | B-20, B-27              |
| Force offline RSCN  | B-20, B-27              |
| SNMP proxy enable   | B-22, B-39              |
| Trap formatting using SNMP versions 1 or 2                        | 2.7, B-22, B-38         |
| Add board serial number to Show Setup System display              | B-60                    |

© 2000–2003 QLogic Corporation  
First Printed: May 2001  
All Rights Reserved Worldwide.  
Printed in U.S.A.

QLogic Corporation, 6321 Bury Drive, Eden Prairie, MN 55346  
(800) 342-7379 or (952) 932-4000

# Table of Contents

|                  |  |     |
|------------------|--|-----|
| <b>Section 1</b> | <b>Introduction</b>  |     |
| 1.1              | Intended Audience .....  | 1-1 |
| 1.2              | Related Materials .....  | 1-2 |
| 1.3              | Safety Notices .....   | 1-3 |
| 1.4              | Sicherheitshinweise.....   | 1-3 |
| 1.5              | Notes informatives relatives à la sécurité.....                                  | 1-3 |
| 1.6              | Communications Statements.....   | 1-4 |
| 1.6.1            | Federal Communications Commission (FCC) Class A Statement .....                  | 1-4 |
| 1.6.2            | Canadian Department of Communications Class A<br>Compliance Statement .....      | 1-4 |
| 1.6.3            | Avis de conformité aux normes du ministère des<br>Communications du Canada ..... | 1-5 |
| 1.6.4            | CE Statement .....   | 1-5 |
| 1.6.5            | VCCI Class A Statement .....   | 1-6 |
| 1.6.6            | BSMI Class A Statement .....   | 1-6 |
| 1.7              | Laser Safety Information .....   | 1-7 |
| 1.8              | Electrostatic Discharge Sensitivity (ESDS) Precautions .....                     | 1-7 |
| 1.9              | Accessible Parts .....   | 1-8 |
| 1.10             | Pièces Accessibles.....  | 1-8 |
| 1.11             | Zugängliche Teile .....  | 1-8 |
| 1.12             | Technical Support.....   | 1-9 |
| 1.12.1           | Availability.....  | 1-9 |
| 1.12.2           | Training.....  | 1-9 |
| 1.12.3           | Contact Information .....  | 1-9 |
| <b>Section 2</b> | <b>General Description</b>   |     |
| 2.1              | Chassis Controls and LEDs .....  | 2-2 |
| 2.1.1            | Power Switches .....   | 2-2 |
| 2.1.2            | Maintenance Button.....  | 2-2 |
| 2.1.3            | Chassis LEDs .....   | 2-3 |
| 2.1.3.1          | Over Temperature LED (Amber).....  | 2-3 |
| 2.1.3.2          | Fan Fail LED (Amber).....  | 2-3 |
| 2.1.3.3          | Heartbeat LED (Amber).....   | 2-4 |
| 2.1.3.4          | Input Power LED (Green) .....  | 2-4 |
| 2.2              | Fibre Channel Ports .....  | 2-4 |
| 2.2.1            | Small Form-Factor Pluggable (SFP) Transceivers .....                             | 2-5 |

---

|                                   |   |      |
|-----------------------------------|---|------|
| 2.2.2                             | Port LEDs .....   | 2-5  |
| 2.2.2.1                           | Logged-In LED .....                                     | 2-6  |
| 2.2.2.2                           | Activity LED .....                                      | 2-6  |
| 2.2.3                             | Port Modes .....  | 2-6  |
| 2.2.3.1                           | Fabric Ports .....                                      | 2-7  |
| 2.2.3.2                           | Translated Loop Port .....                              | 2-7  |
| 2.2.3.3                           | Expansion Port .....                                    | 2-7  |
| 2.3                               | Ethernet Port .....                                     | 2-8  |
| 2.4                               | Serial Port.....  | 2-8  |
| 2.5                               | Power Supplies .....                                    | 2-9  |
| 2.6                               | Fans .....  | 2-10 |
| 2.7                               | Switch Management.....                                  | 2-11 |
| <br><b>Section 3 Planning</b>     |   |      |
| 3.1                               | Devices.....  | 3-1  |
| 3.2                               | Multiple Chassis Fabrics .....                          | 3-2  |
| 3.2.1                             | Domain ID, Principal Priority, and Domain ID Lock ..... | 3-2  |
| 3.2.2                             | Common Topologies.....                                  | 3-3  |
| 3.2.2.1                           | Cascade Topology .....                                  | 3-3  |
| 3.2.2.2                           | Mesh Topology .....                                     | 3-4  |
| 3.2.2.3                           | Multistage Topology .....                               | 3-5  |
| 3.3                               | Performance.....  | 3-6  |
| 3.3.1                             | Distance.....   | 3-6  |
| 3.3.2                             | Bandwidth.....  | 3-7  |
| 3.3.3                             | Latency.....  | 3-7  |
| 3.4                               | Device Access.....                                      | 3-8  |
| 3.4.1                             | Soft Zones .....  | 3-9  |
| 3.4.2                             | Access Control List Hard Zones .....                    | 3-9  |
| 3.4.3                             | Virtual Private Fabric Hard Zones .....                 | 3-10 |
| 3.5                               | Fabric Management .....                                 | 3-10 |
| 3.6                               | Fabric Security .....                                   | 3-11 |
| <br><b>Section 4 Installation</b> |   |      |
| 4.1                               | Site Requirements.....                                  | 4-1  |
| 4.1.1                             | Fabric Management Workstation.....                      | 4-1  |
| 4.1.2                             | Switch Power Requirements .....                         | 4-1  |
| 4.1.3                             | Environmental Conditions.....                           | 4-2  |
| 4.2                               | Installing a Switch.....                                | 4-2  |
| 4.2.1                             | Mount the Switch .....                                  | 4-3  |
| 4.2.2                             | Install SFP Transceivers.....                           | 4-4  |

|                  |  |      |
|------------------|--|------|
| 4.2.3            | Connect the Switch to AC Power .....                         | 4-5  |
| 4.2.4            | Connect the Management Workstation to the Switch.....        | 4-8  |
| 4.2.4.1          | Ethernet Connection.....                                     | 4-9  |
| 4.2.4.2          | Serial Connection .....                                      | 4-9  |
| 4.2.5            | Install SANbox Manager.....                                  | 4-10 |
| 4.2.6            | SANsurfer Management Suite Disk - Windows Installation.....  | 4-11 |
| 4.2.7            | SANsurfer Management Suite Disk - Linux Installation.....    | 4-12 |
| 4.2.8            | SANsurfer Management Suite Disk - Solaris Installation ..... | 4-13 |
| 4.2.9            | SANbox2 Installation Disk - Windows Installation .....       | 4-14 |
| 4.2.10           | SANbox2 Installation Disk - Linux Installation .....         | 4-14 |
| 4.2.11           | SANbox2 Installation Disk - Solaris Installation.....        | 4-14 |
| 4.2.12           | Configure the Switch .....                                   | 4-15 |
| 4.2.13           | Configure the Ports.....                                     | 4-16 |
| 4.2.14           | Cable Devices to the Switch.....                             | 4-16 |
| 4.3              | Install Firmware .....                                       | 4-17 |
| 4.3.1            | Using SANbox Manager to Install Firmware.....                | 4-17 |
| 4.3.2            | Using the CLI to Install Firmware .....                      | 4-18 |
| 4.3.3            | Using FTP and the CLI to Install Firmware.....               | 4-19 |
| 4.4              | Powering Down a Switch.....                                  | 4-20 |
| <br>             |  |      |
| <b>Section 5</b> | <b>Diagnostics/Troubleshooting</b>                           |      |
| 5.1              | POST Diagnostics .....                                       | 5-1  |
| 5.1.1            | Heartbeat LED Blink Patterns.....                            | 5-1  |
| 5.1.1.1          | Normal (all pass).....                                       | 5-1  |
| 5.1.1.2          | Maintenance Mode Pattern .....                               | 5-2  |
| 5.1.1.3          | Internal Firmware Failure Blink Pattern .....                | 5-2  |
| 5.1.1.4          | Fatal Error Blink Pattern .....                              | 5-2  |
| 5.1.1.5          | Configuration File System Error Blink Pattern .....          | 5-2  |
| 5.1.2            | Logged-In LED Indications .....                              | 5-5  |
| 5.1.2.1          | E_Port Isolation .....                                       | 5-6  |
| 5.1.2.2          | Excessive Port Errors .....                                  | 5-7  |
| 5.2              | Chassis Diagnostics .....                                    | 5-9  |
| 5.2.1            | Chassis Over Temperature LED is Illuminated.....             | 5-10 |
| 5.2.2            | Input Power LED Is Extinguished .....                        | 5-10 |
| 5.2.3            | Fan Fail LED is Illuminated.....                             | 5-10 |
| 5.2.4            | Output Power LED Is Extinguished .....                       | 5-11 |
| 5.2.5            | Power Supply Over Temperature LED is Illuminated .....       | 5-11 |
| 5.3              | Recovering a Switch.....                                     | 5-12 |
| 5.3.1            | Maintenance – Exit.....                                      | 5-13 |
| 5.3.2            | Maintenance – Image Unpack.....                              | 5-13 |

|       |  |      |
|-------|--|------|
| 5.3.3 | Maintenance – Reset Network Config ..... | 5-14 |
| 5.3.4 | Maintenance – Reset Password File .....  | 5-14 |
| 5.3.5 | Maintenance – Copy Log Files .....       | 5-14 |
| 5.3.6 | Maintenance – Remove Switch Config.....  | 5-14 |
| 5.3.7 | Maintenance – Remake Filesystem .....    | 5-14 |
| 5.3.8 | Maintenance – Reset Switch .....         | 5-14 |

## **Section 6 Removal/Replacement**

|     |                        |     |
|-----|------------------------|-----|
| 6.1 | SFP Transceivers ..... | 6-2 |
| 6.2 | Power Supplies .....   | 6-3 |
| 6.3 | Fans .....             | 6-4 |

## **Appendix A Specifications**

|     |  |     |
|-----|--|-----|
| A.1 | Switch Specifications .....                  | A-1 |
| A.2 | Switch Maintainability .....                 | A-2 |
| A.3 | Fabric Management .....                      | A-3 |
| A.4 | Switch Dimensions .....                      | A-3 |
| A.5 | Switch Electrical .....                      | A-3 |
| A.6 | Switch Environmental .....                   | A-4 |
| A.7 | Switch Regulatory Certifications.....        | A-4 |
| A.8 | Shortwave Laser SFP 1G/2G (multi-mode).....  | A-5 |
| A.9 | Longwave Laser SFP 1G/2G (single-mode) ..... | A-6 |

## **Appendix B Command Line Interface**

|     |                              |      |
|-----|------------------------------|------|
| B.1 | Logging On to a Switch ..... | B-1  |
| B.2 | Command Syntax .....         | B-2  |
| B.3 | Commands .....               | B-3  |
|     | Admin Command .....          | B-4  |
|     | Alias Command .....          | B-5  |
|     | Config Command .....         | B-7  |
|     | Date Command .....           | B-9  |
|     | Fallback Command.....        | B-10 |
|     | Help Command.....            | B-11 |
|     | History Command .....        | B-12 |
|     | Image Command .....          | B-13 |
|     | Lip Command .....            | B-14 |
|     | Passwd Command .....         | B-15 |
|     | Ping Command .....           | B-16 |
|     | Ps Command .....             | B-17 |
|     | Quit Command .....           | B-18 |

|                          |      |
|--------------------------|------|
| Reset Command.....       | B-19 |
| Set Command.....         | B-24 |
| Set Config Command ..... | B-26 |
| Set Log Command.....     | B-34 |
| Set Port Command .....   | B-37 |
| Set Setup Command .....  | B-38 |
| Show Command .....       | B-43 |
| Show Config Command..... | B-53 |
| Show Log Command .....   | B-56 |
| Show Perf Command .....  | B-58 |
| Show Setup Command.....  | B-60 |
| Shutdown Command .....   | B-62 |
| Test Command .....       | B-63 |
| Uptime Command.....      | B-66 |
| User Command .....       | B-67 |
| Whoami Command.....      | B-69 |
| Zone Command.....        | B-70 |
| Zoneset Command .....    | B-74 |
| Zoning Command .....     | B-77 |

## Glossary

## Index

## Figures

| Figure |   | Page |
|--------|---|------|
| 2-1    | SANbox2-16 Fibre Channel Switch.....        | 2-1  |
| 2-2    | Chassis Controls and LEDS.....              | 2-2  |
| 2-3    | Chassis LEDs.....                           | 2-3  |
| 2-4    | Fibre Channel Ports .....                   | 2-4  |
| 2-5    | SFP Transceiver .....                       | 2-5  |
| 2-6    | Port LEDs.....                              | 2-5  |
| 2-7    | Ethernet Port.....                          | 2-8  |
| 2-8    | Serial Port .....                           | 2-8  |
| 2-9    | Power Supply Components.....                | 2-9  |
| 2-10   | Fans .....                                  | 2-10 |
| 3-1    | Cascade-with-a-Loop Topology .....          | 3-3  |
| 3-2    | Mesh Topology.....                          | 3-4  |
| 3-3    | Multistage Topology.....                    | 3-5  |
| 4-1    | SANbox2-16 Fibre Channel Switch.....        | 4-2  |
| 4-2    | Installing Rack Mount Brackets.....         | 4-4  |
| 4-3    | Ethernet and Serial Cable Connections ..... | 4-8  |

---

|     |  |     |
|-----|--|-----|
| 5-1 | Port Logged-In LED .....                         | 5-5 |
| 5-2 | Logged-In LED Indications .....                  | 5-5 |
| 5-3 | Chassis and Power Supply LEDs .....              | 5-9 |
| 6-1 | SFP Transceiver Installation .....               | 6-2 |
| 6-2 | Power Supply Removal .....                       | 6-3 |
| 6-3 | Fan Removal .....                                | 6-4 |
| 6-4 | Fan Installation for Switch Model SB2A-16B ..... | 6-5 |

## Tables

| Table |  | Page |
|-------|--|------|
| 2-1   | Serial Port Pin Identification .....         | 2-9  |
| 3-1   | Port-to-Port Transmission Combinations ..... | 3-7  |
| 3-2   | Port-to-Port Latency .....                   | 3-7  |
| 4-1   | Management Workstation Requirements .....    | 4-1  |
| B-1   | Commands Listed by Authority Level .....     | B-3  |
| B-2   | Switch Configuration Defaults .....          | B-20 |
| B-3   | Port Configuration Defaults .....            | B-20 |
| B-4   | Alarm Threshold Configuration Defaults ..... | B-21 |
| B-5   | SNMP Configuration Defaults .....            | B-22 |
| B-6   | System Configuration Defaults .....          | B-23 |
| B-7   | Set Config Port Parameters .....             | B-26 |
| B-8   | Set Config Switch Parameters .....           | B-28 |
| B-9   | Set Config Threshold Parameters .....        | B-29 |
| B-10  | Set Config Zoning Parameters .....           | B-30 |
| B-11  | SNMP Configuration Settings .....            | B-38 |
| B-12  | System Configuration Settings .....          | B-39 |
| B-13  | Show Port Parameters .....                   | B-45 |



# Section 1

## Introduction

This manual describes the features and installation of the SANbox2-16 Fibre Channel switch, firmware version 1.5.1. This manual is organized as follows:

- [Section 1](#) describes the intended audience, related materials, safety notices, communications statements, laser safety information, electrostatic discharge sensitivity precautions, accessible parts, and technical support.
- [Section 2](#) is an overview of the switch. It describes indicator LEDs and all user controls and connections.
- [Section 3](#) describes the factors to consider when planning a fabric.
- [Section 4](#) explains how to install and configure the switch.
- [Section 5](#) describes the diagnostic methods and troubleshooting procedures.
- [Section 6](#) describes the removal/replacement procedures for all field replaceable units (FRUs).
- [Appendix A](#) lists the switch specifications.
- [Appendix B](#) describes the Telnet command line interface.

Please read the communications statements and laser safety information later in this section. Use this manual in conjunction with the *SANbox2-8c/16 Switch Management User's Guide*.

### 1.1 Intended Audience

This manual introduces users to the switch and explains its installation and service. It is intended for users who are responsible for installing and servicing network equipment.

1.2

## Related Materials

The following manuals and materials are referenced in the text and/or provide additional information.

- *SANbox2-8c/16 Switch Management User's Guide*, Publication Number 59022-05.
- Fibre Channel-Arbitrated Loop (FC-AL-2) Rev. 6.8.
- Fibre Channel-Private Loop SCSI Direct Attach (FC-PLDA) NCITS TR-19:1998
- Fibre Channel-10-bit Interface Rev. 2.3.
- Definitions of Managed Objects for the Fabric Element in Fibre Channel Standard (draft-ietf-ipfc-fabric-element-mib-04.txt).

The Fibre Channel Standards are available from:

Global Engineering Documents, 15 Inverness Way East, Englewood, CO  
80112-5776 Phone: (800) 854-7179 or (303) 397-7956 Fax: (303)  
397-2740.

1.3

## Safety Notices

A **Warning** notice indicates the presence of a hazard that has the potential of causing personal injury.

4-3, 4-5, 6-1

A **Caution** notice indicates the presence of a hazard that has the potential of causing damage to the equipment.

4-3, 6-4

1.4

## Sicherheitshinweise

Ein **Warnhinweis** weist auf das Vorhandensein einer Gefahr hin, die möglicherweise Verletzungen zur Folge hat.

4-3, 4-6, 6-1

Ein **Vorsichtshinweis** weist auf das Vorhandensein einer Gefahr hin, die möglicherweise Geräteschäden zur Folge hat.

4-3, 6-4

1.5

## Notes informatives relatives à la sécurité

Une note informative **Avertissement** indique la présence d'un risque pouvant entraîner des blessures.

4-3, 4-5, 6-1

Une note informative **Attention** indique la présence d'un risque pouvant entraîner des dégâts matériels.

4-3, 6-4

## 1.6 Communications Statements

The following statements apply to this product. The statements for other products intended for use with this product appear in their accompanying manuals.

### 1.6.1 Federal Communications Commission (FCC) Class A Statement

This equipment has been tested and found to comply with the limits for a Class A digital device, pursuant to Part 15 of the FCC Rules. These limits are designed to provide reasonable protection against harmful interference when the equipment is operated in a commercial environment. This equipment generates, uses, and can radiate radio frequency energy, and, if not installed and used in accordance with the instruction manual, may cause harmful interference to radio communications. Operation of this equipment in a residential area may cause unacceptable interference, in which case the user will be required to correct the interference at their own expense.

Neither the provider nor the manufacturer is responsible for any radio or television interference caused by unauthorized changes or modifications to this equipment. Unauthorized changes or modifications could void the user's authority to operate the equipment.

This device complies with Part 15 of the FCC Rules. Operation is subject to the following two conditions:

- This device may not cause harmful interference, and
- This device must accept any interference received, including interference that may cause undesired operation.

### 1.6.2 Canadian Department of Communications Class A Compliance Statement

This equipment does not exceed Class A limits for radio emissions for digital apparatus, set out in Radio Interference Regulation of the Canadian Department of Communications. Operation in a residential area may cause unacceptable interference to radio and TV reception requiring the owner or operator to take whatever steps necessary to correct the interference.

**1.6.3****Avis de conformité aux normes du ministère des Communications du Canada**

Cet équipement ne dépasse pas les limites de Classe A d'émission de bruits radioélectriques par les appareils numériques, telles que prescrites par le Règlement sur le brouillage radioélectrique établi par le ministère des Communications du Canada. L'exploitation faite en milieu résidentiel peut entraîner le brouillage des réceptions radio et télé, ce qui obligerait le propriétaire ou l'opérateur à prendre les dispositions nécessaires pour en éliminer les causes.

**1.6.4****CE Statement**

The CE symbol on the equipment indicates that this system complies with the EMC (Electromagnetic Compatibility) directive of the European Community (89/336/EEC) and to the Low Voltage (Safety) Directive (73/23/EEC). Such marking indicates that this system meets or exceeds the following technical standards:

- EN60950/A11:1997 – “Safety of Information Technology Equipment, Including Electrical Business Equipment”.
- EN60825-1/A11:1996 – “Safety of Laser Products, Part 1.
- EN55022:1998 – “Limits and Methods of Measurement of Radio Interference Characteristics of Information Technology Equipment”.
- EN55024-1:1998 – “Electromagnetic compatibility - Generic immunity standard Part 1: Residential commercial, and light industry.”
  - IEC1000-4-2:1995 – “Electrostatic Discharge Immunity Test”
  - IEC1000-4-3:1995 – “Radiated, Radio-Frequency, Electromagnetic Field Immunity Test”
  - IEC1000-4-4:1995 – “Electrical Fast Transient/Burst Immunity Test”
  - IEC1000-4-5:1995 – “Surge Immunity Test”
  - IEC1000-4-6:1996 – “Immunity To Conducted Disturbances, Induced By Radio-Frequency Fields”
  - IEC1000-4-8:1993 – “Power Frequency Magnetic Field Immunity Test”
  - IEC1000-4-11:1994 – “Voltage Dips, Short Interruptions And Voltage Variations Immunity Tests”
- EN61000-3-2:1995 – “Limits For Harmonic Current Emissions (Equipment Input Current Less Than/Equal To 16 A Per Phase)” Class A
- EN61000-3-3:1995 – “Limitation Of Voltage Fluctuations And Flicker In Low-Voltage Supply Systems For Equipment With Rated Current Less Than Or Equal To 16 A”

1.6.5

### VCCI Class A Statement

この装置は、情報処理装置等電波障害自主規制協議会（VCCI）の基準に基づくクラス A 情報技術装置です。この装置を家庭環境で使用すると電波妨害を引き起こすことがあります。この場合には使用者が適切な対策を講ずるよう要求されることがあります。

This is a Class A product based on the standard of the Voluntary Control Council For Interference by Information Technology Equipment (VCCI). If this equipment is used in a domestic environment, radio disturbance may arise. When such trouble occurs, the user may be required to take corrective actions.

1.6.6

### BSMI Class A Statement

#### 警告使用者:

這是甲類的資訊產品，在居住的環境中使用時，可能會造成射頻干擾，在這種情況下，使用者會被要求採取某些適當的對策。

Warning:

This is a Class A product. In a domestic environment, this product may cause radio interference in which case the user will be required to take adequate measures.

1.7

## Laser Safety Information

This product may use Class 1 laser optical transceivers to communicate over the fiber optic conductors. The U.S. Department of Health and Human Services (DHHS) does not consider Class 1 lasers to be hazardous. The International Electrotechnical Commission (IEC) 825 Laser Safety Standard requires labeling in English, German, Finnish, and French stating that the product uses Class 1 lasers. Because it is impractical to label the transceivers, the following label is provided in this manual.



1.8

## Electrostatic Discharge Sensitivity (ESDS) Precautions

The assemblies used in the switch chassis are ESD sensitive. Observe ESD handling procedures when handling any assembly used in the switch chassis.

### 1.9

## Accessible Parts

The only Field Replaceable Units (FRUs) in the SANbox2-16 switch are:

- Small Form-Factor Pluggable (SFP) optical transceivers
- Power supplies
- Fans

Refer to [Section 6 Removal/Replacement](#) for more information.

### 1.10

## Pièces Accessibles

Les pièces remplaçables, Field Replaceable Units (FRU), du commutateur SANbox2-16 Fibre Channel Switch sont les suivantes:

- Interfaces aux media d'interconnexion appelés SFP transceivers.
- Alimentation(s) de courant
- Ventilateurs

Se reporter à la [Section 6](#) (Procédures de retrait et remplacement) pour plus de renseignements.

### 1.11

## Zugängliche Teile

Nur die folgenden Teile im SANbox2-16 Fibre Channel Switch können kundenseitig ersetzt werden:

- Schnittstellen für die Zwischenverbindungsträger, SFP transceivers genannt.
- Netzteil(e)
- Gehäuselüfte

Weitere Informationen finden Sie im Abschnitt [6](#) (Ausbauen der ersetzbaren Teile).



**1.12****Technical Support**

Customers should contact their authorized maintenance provider for technical support of their QLogic switch products. QLogic-direct customers may contact QLogic Technical Support; others will be redirected to their authorized maintenance provider.

Visit the QLogic switch support Web site listed in [Contact Information](#) for the latest firmware and software updates.

**1.12.1****Availability**

QLogic Technical Support is available from 7:00 AM to 7:00 PM Central Standard Time, Monday through Friday, excluding QLogic-observed holidays.

**1.12.2****Training**

QLogic offers the following technical training courses:

- Switch Certification
- HBA Certification

Each course is available at the training facility in Eden Prairie, MN or at your local facility. All courses include a Fibre Channel overview and sections on installation, maintenance, and topology solutions. Each student receives a set of manuals and a CD-ROM containing course training materials. Upon successful completion of the training, Qlogic awards a certificate identifying the student as a Certified SANbox® or SANblade® Professional.

**1.12.3****Contact Information**

|                          |  |
|--------------------------|--|
| Address:                 | QLogic Switch Products Inc.<br>6321 Bury Drive<br>Eden Prairie, Minnesota 55346<br>USA |
| Telephone:               | +1 952-932-4040  |
| Fax:                     | +1 952-932-4018  |
| Email:                   |  |
| Technical Service        | support@qlogic.com   |
| Technical Training       | tech.training@qlogic.com   |
| Switch Support Web Site: | <a href="http://support.qlogic.com">support.qlogic.com</a>                             |

---

## Notes

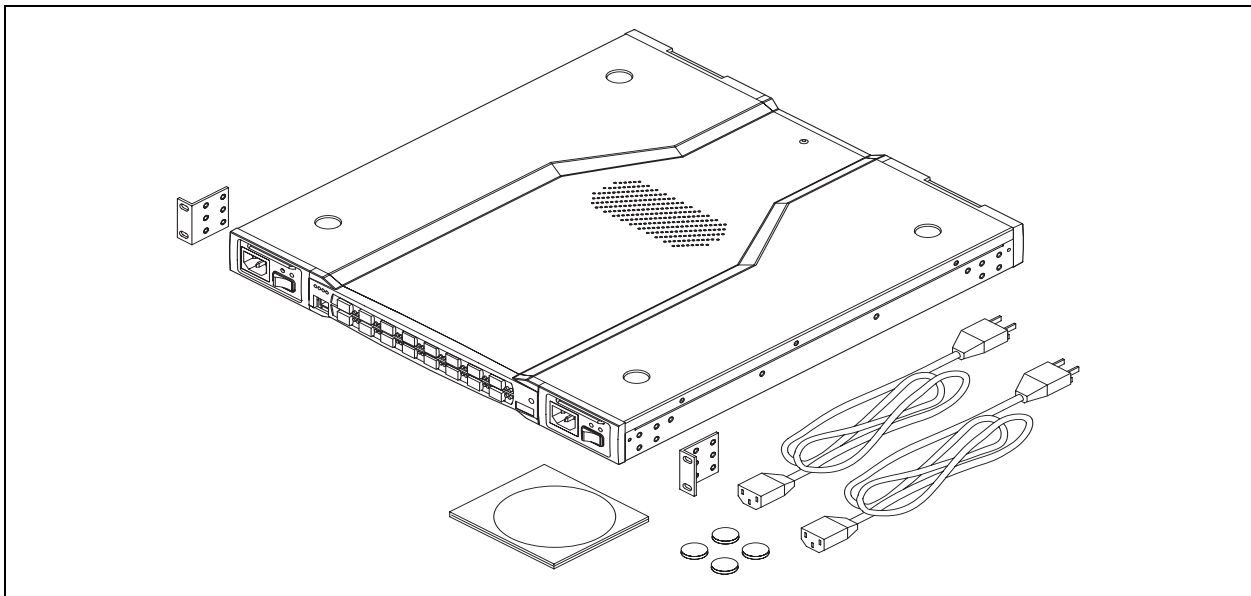
## Section 2

# General Description

This section describes the features and capabilities of the SANbox2-16 Fibre Channel switch. The following topics are described:

- Chassis controls and LEDs
- Fibre channel ports
- Ethernet port
- Serial port
- Power supplies
- Fans
- Switch management

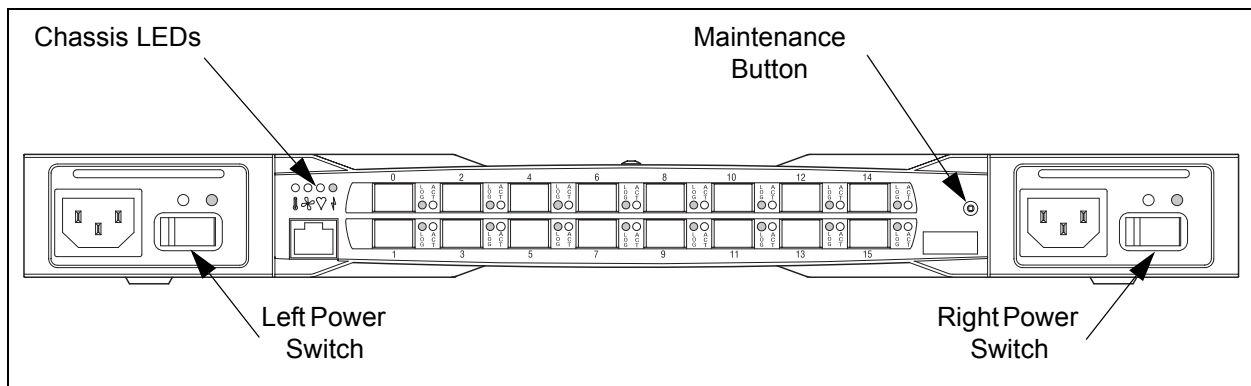
Fabrics are managed with the SANbox Manager switch management application (version 1.05) and the Command Line Interface (CLI). Refer to the *SANbox2-8c/16 Switch Management User's Guide* for information about using the SANbox Manager application. Refer to [Appendix B Command Line Interface](#) for more information.



**Figure 2-1. SANbox2-16 Fibre Channel Switch**

## 2.1 Chassis Controls and LEDs

Chassis controls include the power supply On/Off switches and the Maintenance button as shown in [Figure 2-2](#). The chassis LEDs include the Over Temperature LED, Fan Fail LED, Heartbeat LED, and the Input Power LED.



**Figure 2-2. Chassis Controls and LEDs**

### 2.1.1 Power Switches

Each power supply has an On/Off switch that controls power to the switch logic circuitry. To apply power to the switch, place both switches in the On position.

### 2.1.2 Maintenance Button

The Maintenance button is a momentary switch on the front panel. Its purpose is to place the switch in maintenance mode. Maintenance mode sets the IP address to 10.0.0.1 and provides access to the switch for maintenance purposes when flash memory or the resident configuration file is corrupted. Refer to ["Recovering a Switch" on page 5-12](#) for information about maintenance mode.

To place the switch in maintenance mode, do the following:

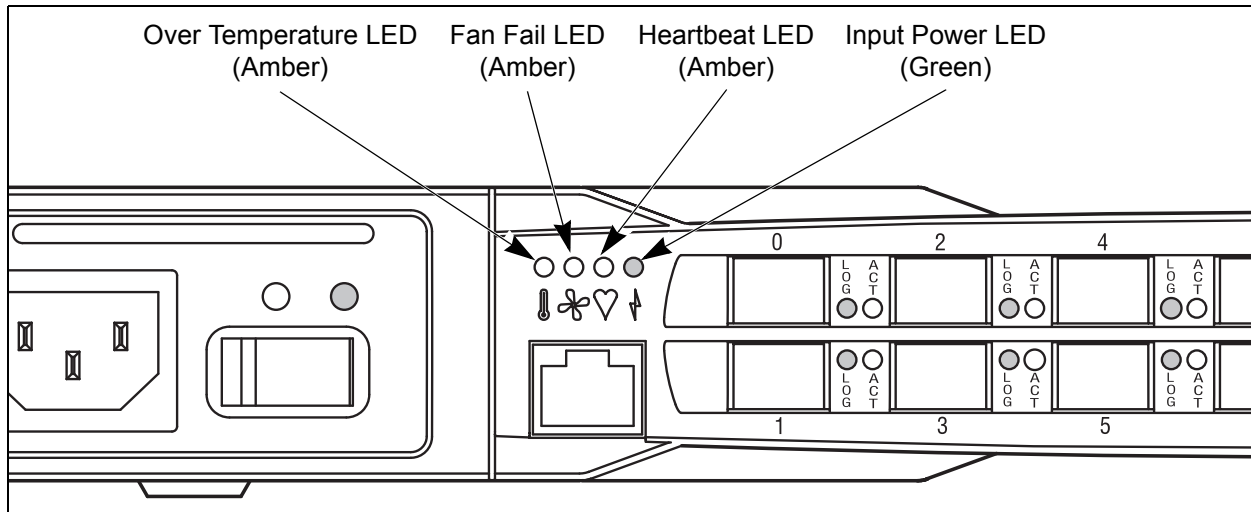
1. Isolate the switch from the fabric. Open a Telnet session, and enter the Shutdown command. Refer to ["Shutdown Command" on page B-62](#).
2. Place both power supply switches in the Off position.
3. Press and hold the Maintenance button with a pointed tool for a few seconds, then place one of the power supply switches in the On position. You can release the Maintenance button after the Input Power LED illuminates. When the switch is in maintenance mode, the Heartbeat LED illuminates continuously. Refer to ["Chassis LEDs" on page 2-3](#) for information about the Input Power LED and the Heartbeat LED.

To return to normal operation, power cycle the switch.

### 2.1.3

## Chassis LEDs

The chassis LEDs shown in [Figure 2-3](#) provide status information about switch operation. Refer to ["Power Supplies"](#) on page 2-9 for information about power supply LEDs and to ["Port LEDs"](#) on page 2-5 for information about port LEDs.



**Figure 2-3. Chassis LEDs**

#### 2.1.3.1

### Over Temperature LED (Amber)

The Over Temperature LED provides status information about the air temperature inside the switch. This LED illuminates to indicate that the switch logic circuitry is overheating. Refer to [Section 5 Diagnostics/Troubleshooting](#) for information about troubleshooting over temperature conditions.

#### 2.1.3.2

### Fan Fail LED (Amber)

The Fan Fail LED indicates operational status of both fans. This LED illuminates if the speed of either fan falls below the normal range. Removing a fan will not illuminate the Fan Fail LED. Refer to [Section 5 Diagnostics/Troubleshooting](#) for information about troubleshooting fan failure conditions.

### 2.1.3.3

## Heartbeat LED (Amber)

The Heartbeat LED indicates the status of the internal switch processor and the results of the Power On Self Test (POST). Following a normal power-up, the Heartbeat LED blinks about once per second to indicate that the switch passed the POST and that the internal switch processor is running. In maintenance mode, the Heartbeat LED illuminates continuously. Refer to ["Heartbeat LED Blink Patterns" on page 5-1](#) for more information about Heartbeat LED blink patterns.

### 2.1.3.4

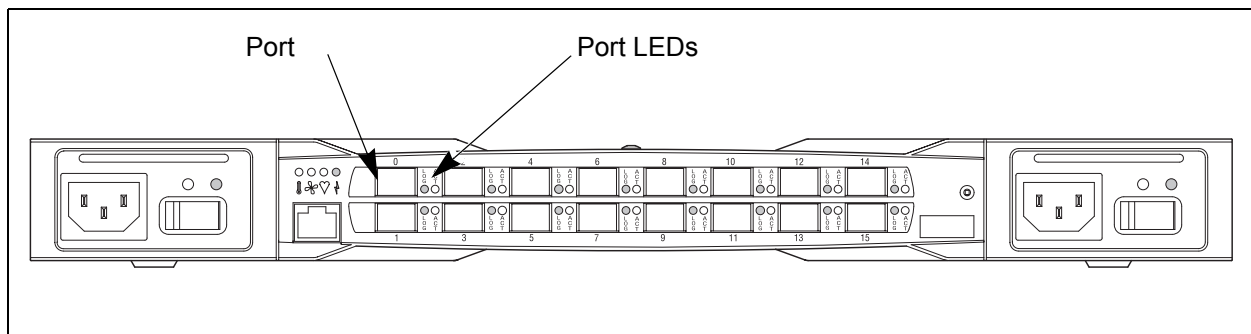
## Input Power LED (Green)

The Input Power LED indicates the voltage status at the switch logic circuitry. This LED illuminates when the switch logic circuitry is receiving the proper DC voltages.

## 2.2

## Fibre Channel Ports

Each SANbox2-16 switch has 16 Fibre Channel ports numbered 0 - 15 as shown in [Figure 2-4](#). Each of these ports is served by a Small Form-Factor Pluggable (SFP) transceiver. The port LEDs are located to the right of their respective ports and provide port login and activity status information. The ports self discover the proper mode when connected to public devices and other switches. You can also configure any port to support a loop of private devices.



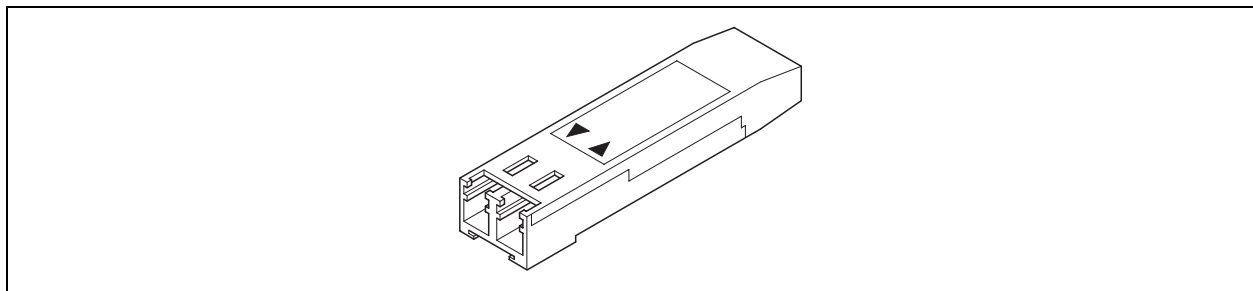
**Figure 2-4. Fibre Channel Ports**

2.2.1

**Small Form-Factor Pluggable (SFP) Transceivers**

An SFP transceiver, like the one shown in [Figure 2-5](#), converts electrical signals to and from optical laser signals to transmit and receive data. SFP transceivers plug into the ports; duplex fiber optic cables plug into the transceivers which then connect to the devices. A port is capable of transmitting at 1 Gbps or 2 Gbps; however, the transceiver must be capable of 2 Gbps for the port to deliver at that rate.

The SFP transceivers are hot swappable. This means that you can remove or install an SFP transceiver while the switch is operating without harming the switch or the transceiver. However, communication with the connected device will be interrupted. Refer to [Section 6 Removal/Replacement](#) for information about installing and removing SFP optical transceivers.

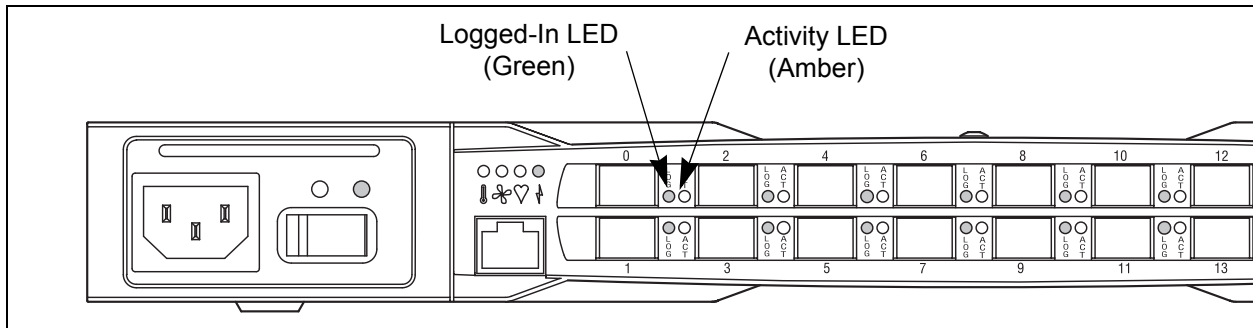


**Figure 2-5. SFP Transceiver**

2.2.2

**Port LEDs**

Each data port has its own Logged-In LED and Activity LED as shown in [Figure 2-6](#). The Logged-In LED indicates whether the port and its connected device are logged into the fabric, or if it is connected to another switch and they are segmented. The Activity LED indicates the frequency at which the port receives or transmits frames.



**Figure 2-6. Port LEDs**

### 2.2.2.1

## Logged-In LED

The Logged-in LED indicates the logged-in or initialization status of the connected devices. After successful completion of the POST, the switch extinguishes all Logged-In LEDs. Following a successful loop initialization or port login, the switch illuminates the corresponding logged-in LED. This shows that the port is properly connected and able to communicate with its attached devices. The Logged-In LED remains illuminated as long as the port is initialized or logged in. If the port connection is broken or an error occurs that disables the port, the Logged-In LED will flash. Refer to ["Logged-In LED Indications" on page 5-5](#) for more information about the Logged-In LED.

### 2.2.2.2

## Activity LED

The Activity LED indicates that data is passing through the port. Each frame that the port transmits or receives causes this LED to illuminate for 50 milliseconds. This makes it possible to observe the transmission of a single frame. When extending credits, the Activity LED for a donor port will reflect the traffic of the recipient port. Refer to ["Distance" on page 3-6](#) for more information about extended credits and donor ports.

### 2.2.3

## Port Modes

SANbox2-16 switches support the following port modes:

- Generic ports (GL\_Port and G\_Port)
- Fabric ports (FL\_Port and F\_Port)
- Translated loop ports (TL\_Port)
- Expansion ports (E\_Port)

Switches come from the factory with all ports configured as GL\_Ports. GL\_Ports self-configure in the following ways:

- FL\_Port when connected to a loop of public devices
- F\_Port when connected to a single public device. If the device is a single device on a loop, the GL\_Port will attempt to configure first as an F\_Port, then if that fails, as an FL\_Port.
- E\_Port when connected to another FC-SW-2 compliant switch



G\_Ports self-configure in the following ways:

- F\_Port when connected to a public device
- E\_Port when connected to another FC-SW-2 compliant switch

A TL\_Port supports private loop devices and must be configured explicitly. Refer to the *SANbox2-8c/16 Switch Management User's Guide* for more information about defining port modes.

### 2.2.3.1

#### **Fabric Ports**

An FL\_Port can support a loop of up to 126 public devices. An FL\_Port can also configure itself during the fabric login process as an F\_Port when connected to a single public device (N\_Port).

### 2.2.3.2

#### **Translated Loop Port**

A TL\_Port supports a loop of up to 124 private target devices with the ability to communicate with up to 63 “off-loop” public devices. Private loop initiator devices are not supported on the TL\_Port. The TL\_Port acts as a proxy for the off-loop device translating private frames into and from public frames. The set of off-loop devices are maintained in the TL\_Port’s translation entries list. The switch firmware automatically creates an entry in the translation entries list for each off-loop initiator device that attempts to establish communication. Soft or VPF zoning can be used to limit the number of potential initiators to 63. Zone membership must be done by worldwide name, or domain ID and port ID. TL\_Ports connect to devices that conform to the Fibre Channel-Private Loop SCSI Direct Attach (FC-PLDA) standard. Devices connected to TL\_Ports are registered with the Name Server.

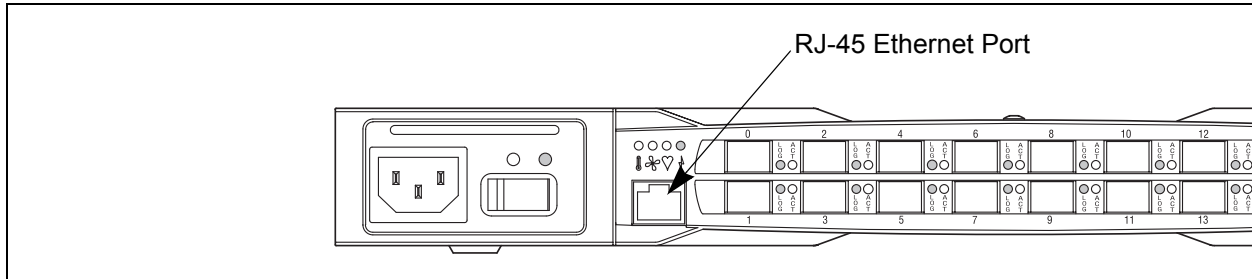
### 2.2.3.3

#### **Expansion Port**

E\_Ports enable you to expand the fabric by connecting SANbox2-16 switches with other FC-SW-2 compliant switches. SANbox2-16 switches self-discover all inter-switch connections. Refer to [“Multiple Chassis Fabrics” on page 3-2](#) for more information about multiple chassis fabrics.

### 2.3 Ethernet Port

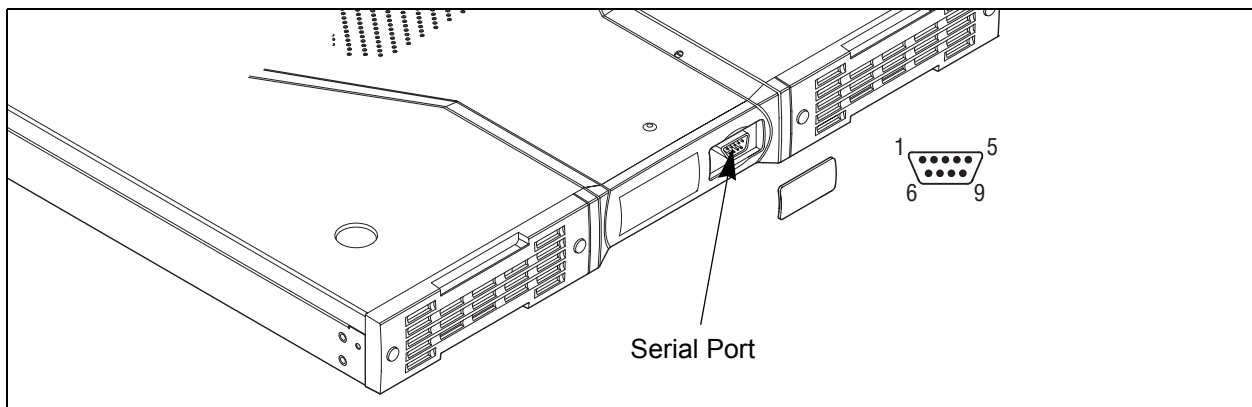
The Ethernet port shown in [Figure 2-7](#) is an RJ-45 connector that provides a connection to a management workstation. A management workstation can be a Windows, Solaris™ workstation, or a Linux® workstation that is used to configure and manage the switch fabric. You can manage the switch over an Ethernet connection using SANbox Manager, the Command Line Interface (CLI), or SNMP.



**Figure 2-7. Ethernet Port**

### 2.4 Serial Port

The SANbox2-16 switch is equipped with an RS-232 serial port for maintenance purposes. The serial port is located on the back of the switch under a small cover as shown in [Figure 2-8](#). You can manage the switch through the serial port using the CLI.



**Figure 2-8. Serial Port**

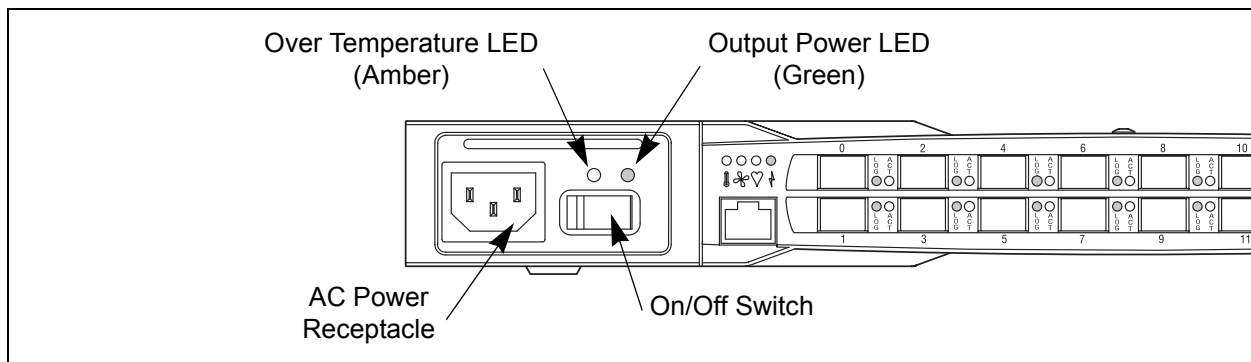
The serial port connector requires a null-modem F/F DB9 cable. The pins on the switch RS-232 connector are shown in [Figure 2-8](#) and identified in [Table 2-1](#). Refer to "[Connect the Management Workstation to the Switch](#)" on page 4-8 for information about connecting the management workstation through the serial port.

**Table 2-1. Serial Port Pin Identification**

| Pin Number | Description               |
|------------|---------------------------|
| 1          | Carrier Detect (DCD)      |
| 2          | Receive Data (RxD)        |
| 3          | Transmit Data (TxD)       |
| 4          | Data Terminal Ready (DTR) |
| 5          | Signal Ground (GND)       |
| 6          | Data Set Ready (DSR)      |
| 7          | Request to Send (RTS)     |
| 8          | Clear to Send (CTS)       |
| 9          | Ring Indicator (RI)       |

## 2.5 Power Supplies

The power supplies convert standard 110 or 230 VAC to DC voltages for the various switch circuits. Each power supply has an AC power receptacle, an On/Off switch, and two status LEDs as shown in [Figure 2-9](#). After connecting a power supply to an AC voltage source and placing the power switch in the On position, the power supply is energized and DC voltage is delivered to the switch logic circuitry. Refer to [Section 6 Removal/Replacement](#) for information about replacing a power supply.



**Figure 2-9. Power Supply Components**

Each power supply is capable of providing all of the switch's power needs. During normal operation, each power supply provides half of the demand. If one power supply goes offline, the second power supply steps up and provides the difference.

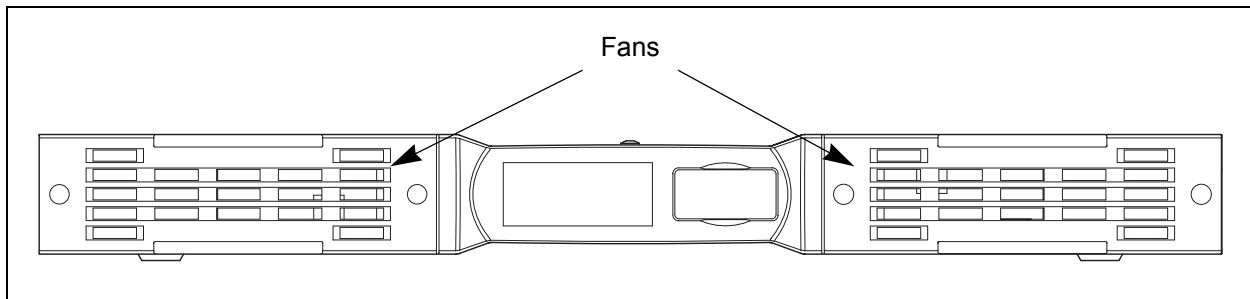
The power supplies are hot swappable and interchangeable. Hot swappable means that you can remove and replace one power supply while the switch is in operation without disrupting service.

Each power supply has two status LEDs: an Output Power LED (green) and an Over Temperature LED (amber):

- The Output Power LED illuminates to indicate that the power supply is producing DC voltage at the proper levels.
- The Over Temperature LED illuminates to indicate that the power supply is overheating. When a power supply overheats, the switch extinguishes the Output Power LED and shuts down the power supply. Refer to [Section 5 Diagnostics/Troubleshooting](#) for information about troubleshooting over temperature conditions.

## 2.6 Fans

The switch is equipped with two fans as shown in [Figure 2-10](#). If one fan should fail, the other fan is capable of providing the necessary cooling until the failed fan can be replaced. The fans are hot swappable and interchangeable. Refer to ["Fans" on page 6-4](#) for information about removing and replacing the fans. Air flow can be front-to-back or back-to-front depending on the switch model.



**Figure 2-10. Fans**

## 2.7

## Switch Management

SANbox Manager is a workstation-based Java® application that provides a graphical user interface for fabric management. This application runs on a Windows®, Solaris™, or Linux® workstation. The management workstation connects to the fabric directly through one switch's Ethernet port and provides in-band management for all other switches in the fabric. Refer to the *SANbox2-8c/16 Switch Management User's Guide* for information about the SANbox Manager application and its use.

In addition to SANbox Manager, the switch supports the following management tools:

- Command Line Interface
- File Transfer Protocol (FTP)
- Simple Network Management Protocol (SNMP)

The command line interface provides monitoring and configuration functions by which the administrator can manage the fabric and its switches. Refer to [Appendix B Command Line Interface](#) for more information.

FTP provides the command line interface for exchanging files between the switch and the management workstation. These files include firmware image files, configuration files, and log files.

SNMP provides monitoring and trap functions for the fabric. SANbox2 firmware supports SNMP versions 1 and 2, the Fibre Alliance Management Information Base (FA-MIB) version 4.0, and the Fabric Element Management Information Base (FE-MIB) RFC 2837. Traps can be formatted using SNMP versions 1 or 2.

---

## Notes

## Section 3

# Planning

Consider the following when planning a fabric:

- Devices
- Multiple chassis fabrics
- Performance
- Device access
- Fabric management
- Fabric security

### 3.1 Devices

When planning a fabric, consider the number of devices and the anticipated demand. This will determine the number of ports that are needed and in turn the number of switches. Consider how many and what types of switches are needed.

Consider the distribution of public and private devices as well as targets and initiators. Public devices have full Fibre Channel addressing capability, and therefore can communicate with any other public device on the fabric. An F\_Port supports a single public device. An FL\_Port can support up to 126 public devices in an arbitrated loop.

Private devices do not have full Fibre Channel addressing capability, only the Arbitrated Loop Physical Address (ALPA) portion. A TL\_Port provides a proxy for a loop of up to 124 private target devices allowing communication with up to 63 off-loop public initiator devices. Consider the number of private devices in the fabric and the number of off-loop devices with which the private devices must communicate.

The SANbox2-16 Fibre Channel switch uses SFP optical transceivers, but the device host bus adapters you are using may not. Consider whether the device adapters use SFP transceivers or Gigabit Interface Converters (GBIC), and choose fiber optic cable accordingly. Use LC-type cable connectors for SFP transceivers and SC-type cable connectors for GBIC transceivers.

## 3.2

### Multiple Chassis Fabrics

By connecting switches together you can expand the number of available ports for devices. Each switch in the fabric is identified by a unique domain ID, and the fabric will automatically resolve domain ID conflicts. Because the ports are self-configuring, you can connect SANbox2-16 and other FC-SW-2 compliant switches together in a wide variety of topologies.

#### 3.2.1

### Domain ID, Principal Priority, and Domain ID Lock

The following switch configuration settings affect multiple chassis fabrics:

- Domain ID
- Principal priority
- Domain ID lock

The domain ID is a unique number from 1–239 that identifies each switch in a fabric. The principal priority is a number (1–255) that determines the principal switch which manages domain ID assignments for the fabric. The switch with the highest principal priority (1 is high, 255 is low) becomes the principal switch. If the principal priority is the same for all switches in a fabric, the switch with the lowest WWN becomes the principal switch.

The domain ID lock allows (FALSE) or prevents (TRUE) the reassignment of the domain ID on that switch. Switches come from the factory with the domain ID set to 1, the domain ID lock set to FALSE, and the principal priority set to 254. Refer to the *SANbox2-8c/16 Switch Management User's Guide* for information about changing the domain ID using SANbox Manager. Refer to ["Set Config Command" on page B-26](#) for information about changing the default domain ID, domain ID lock, and principal priority parameters.

An unresolved domain ID conflict means that the switch with the higher WWN will isolate as a separate fabric, and the Logged-In LEDs on both switches will flash to show the affected ports. If you connect a new switch to an existing fabric with its domain ID unlocked, and a domain ID conflict occurs, the new switch will isolate as a separate fabric. However, you can remedy this by resetting the new switch or taking it offline then back online. The principal switch will reassign the domain ID and the switch will join the fabric.

**Note:** Domain ID reassignment is not reflected in zoning that is defined by domain ID/port number pair or Fibre Channel address. You must reconfigure zones that are affected by domain ID reassignment. To prevent zoning definitions from becoming invalid under these conditions, lock the domain IDs using SANbox Manager or the Set Config Switch command.



### 3.2.2

## Common Topologies

This section describes three commonly used topologies:

- Cascade
- Mesh
- Multistage®

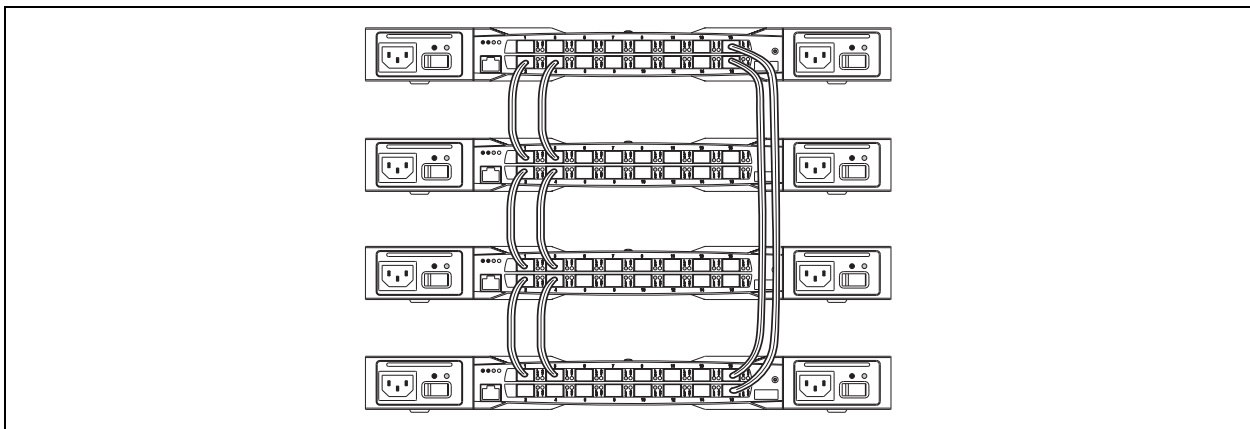
#### 3.2.2.1

### Cascade Topology

A cascade topology describes a fabric in which the switches are connected in a linear fashion. If you connect the last switch back to the first switch, you create a cascade-with-a-loop topology as shown in [Figure 3-1](#). The loop reduces latency because any switch can route traffic in the shortest direction to any switch in the loop. The loop also provides failover should a switch fail.

The cascade fabric shown in [Figure 3-1](#) has the following characteristics:

- Each chassis link contributes up to 200 MB/s of bandwidth between chassis, 400 MB/s in full duplex. However, because of the sequential structure, that bandwidth will be shared by traffic between devices on other chassis.
- Latency between any two ports is no more than three chassis hops.
- 48 Fibre Channel ports are available for devices.



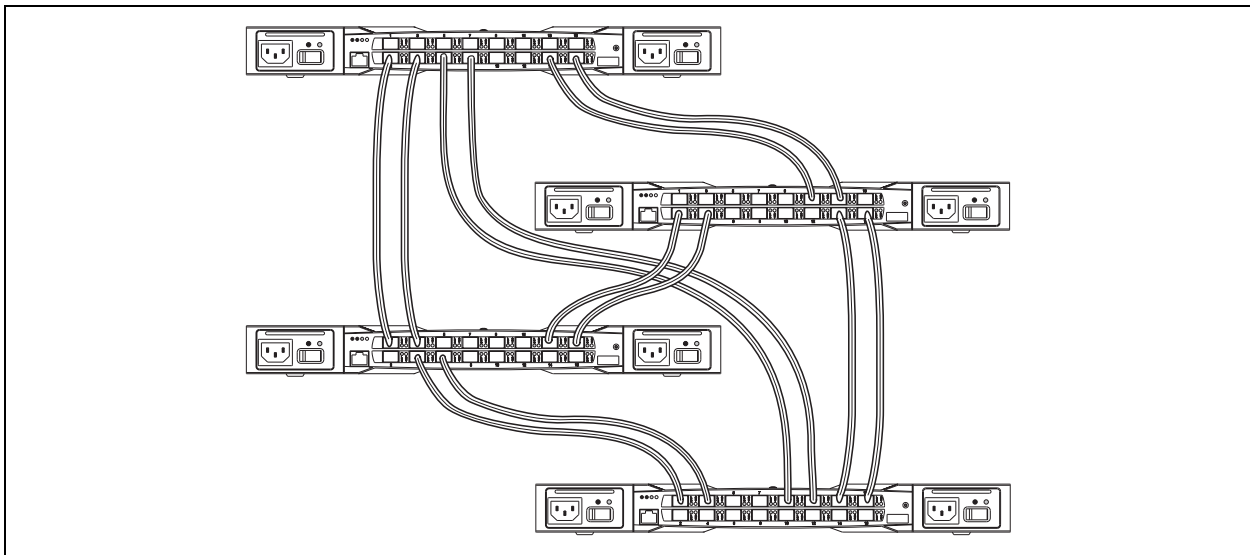
**Figure 3-1. Cascade-with-a-Loop Topology**

3.2.2.2

## Mesh Topology

A mesh topology describes a fabric in which each chassis has at least one port directly connected to each other chassis in the fabric. The example mesh fabric shown in [Figure 3-2](#) has the following characteristics:

- Each link contributes up to 200 MB/s of bandwidth between switches, 400 MB/s in full duplex. Because of multiple parallel paths, there is less competition for this bandwidth than with a cascade or a Multistage topology.
- Latency between any two device ports is no more than two chassis hops.
- 40 Fibre Channel ports are available for devices



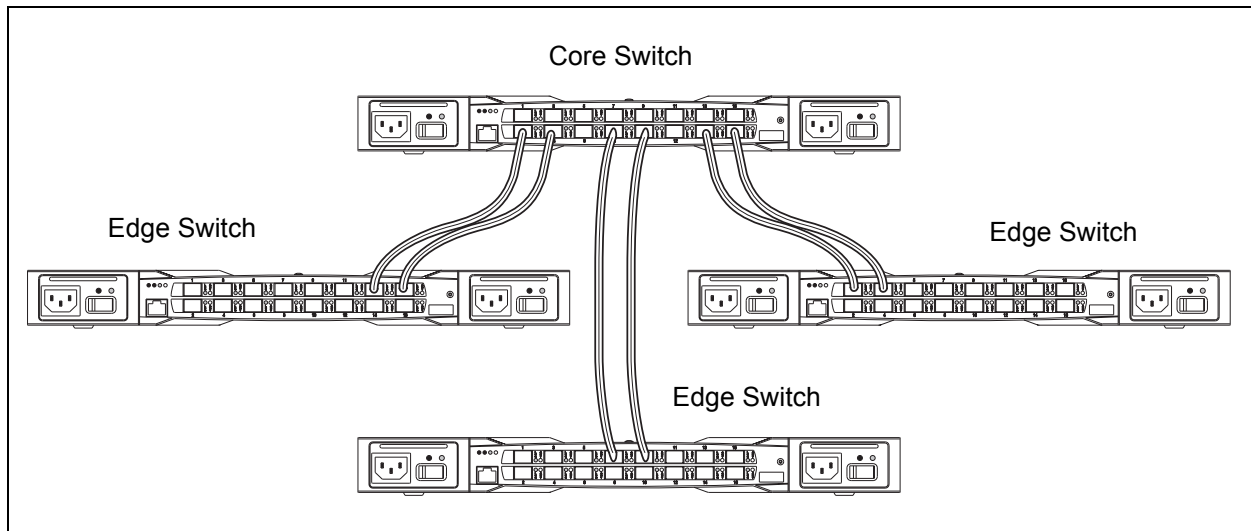
**Figure 3-2. Mesh Topology**

### 3.2.2.3

## Multistage Topology

A Multistage topology describes a fabric in which two or more edge switches connect to one or more core switches. Each additional core switch increases the bandwidth to each edge switch by 200 MB/s. The Multistage fabric shown in [Figure 3-3](#) has the following characteristics:

- Each link contributes up to 200 MB/s of bandwidth between chassis. Competition for this bandwidth is less than that of a cascade topology, but greater than that of the mesh topology.
- Latency between any two device ports is three chassis hops.
- 52 Fibre Channel ports are available for devices



**Figure 3-3. Multistage Topology**

### 3.3 Performance

The SANbox2-16 switch supports class 2 and class 3 Fibre Channel service at transmission rates of 1 Gbps or 2 Gbps with a maximum frame size of 2148 bytes. A port can transmit or receive at 1 Gbps or 2 Gbps depending on the device to which it is connected. The port discovers the transmission speed prior to login when the connected device powers up. Related performance characteristics include the following:

- Distance
- Bandwidth
- Latency

#### 3.3.1 Distance

Consider the physical distribution of devices and switches in the fabric. Choose SFP transceivers that are compatible with the cable type, distance, Fibre Channel revision level, and the device host bus adapter. Refer to [Appendix A Specifications](#) for more information about cable types and SFP transceivers.

Each port is supported by a data buffer with a 12 credit capacity; that is, 12 maximum sized frames. For fibre optic cables, this enables full bandwidth over a distance of 20 kilometers at 1 Gbps (0.6 credits/Km), or 10 kilometers at 2 Gbps (1.2 credits/Km). Beyond this distance, however, there is some loss of efficiency because the transmitting port must wait for an acknowledgement before sending the next frame.

Longer distances can be spanned at full bandwidth by extending credits on G\_Ports and F\_Ports. Each port can donate up to 11 credits to a pool from which a recipient port can borrow. For example, you can configure a recipient port to borrow up to 66 credits from 6 ports for a total of 78 credits. This will support communication over approximately 130 Km at 1 Gbps ( $78 \div 0.6$ ) or 65 Km at 2 Gbps ( $78 \div 1.2$ ).

You can configure recipient and donor ports using SANbox Manager or the Set Config command. Refer to ["Set Config Command" on page B-26](#) for more information.

### 3.3.2

## Bandwidth

Bandwidth is a measure of the volume of data that can be transmitted at a given transmission rate. A port can transmit or receive at 1 Gbps or 2 Gbps depending on the device to which it is connected. The switch supports all transmission rate combinations as shown in [Table 3-1](#).

**Table 3-1. Port-to-Port Transmission Combinations**

| Source Port Rate | Destination Port Rate | Maximum Bandwidth             |
|------------------|-----------------------|-------------------------------|
| 1 Gbps           | 1 Gbps                | 100 MB                        |
| 1 Gbps           | 2 Gbps                | 100 MB                        |
| 1 Gbps x 2 ports | 2 Gbps                | 200 MB                        |
| 2 Gbps           | 1 Gbps x 2 ports      | 100 MB each port <sup>1</sup> |
| 2 Gbps           | 2 Gbps                | 200 MB                        |

<sup>1</sup>Bandwidth will be less for larger sequence sizes.

In multiple chassis fabrics, each link between chassis contributes 100 or 200 megabytes of bandwidth between those chassis. When additional bandwidth is needed between devices, increase the number of links between the connecting switches. The switch guarantees in-order-delivery with any number of links between chassis.

### 3.3.3

## Latency

Latency is a measure of how fast a frame travels from one port to another. The factors that affect latency include transmission rate and the source/destination port relationship as shown in [Table 3-2](#).

**Table 3-2. Port-to-Port Latency**

| Source/Destination Rates | Same Switch |
|--------------------------|-------------|
| 1 Gbps - 1 Gbps          | < 1 µsec    |
| 2 Gbps - 2 Gbps          | < 0.4 µsec  |

---

### 3.4 Device Access

Consider device access needs within the fabric. Access is controlled by the use of zones and zone sets. Some zoning strategies include the following:

- Separate devices that use different operating systems.
- Separate devices that have no need to communicate with other devices in the fabric or have classified data.
- Separate devices into department, administrative, or other functional group.
- Group TL\_Port target devices with initiators to allow automatic discovery.
- Reserve a path and its bandwidth from one port to another.

A zone is a named group of devices that can communicate with each other. Membership in a zone can be defined by switch port number, port Fibre Channel address, or by device worldwide name (WWN). Devices can communicate only with devices that are members of the same zone. A zone can be a member of more than one zone set. Several zone sets can be defined for a fabric, but only one zone set can be active at one time. The active zone set determines the current fabric zoning.

A zoning database is maintained on each switch consisting of all inactive zone sets, the active zone set, all zones, aliases, and their membership. The SANbox2-16 switch supports the following maximum limits:

- 256 zone sets
- 256 zones per zone set
- 1000 total zones
- 2000 members per zone
- 256 aliases
- 2000 members per alias
- 2000 total number of alias and zone members

Three types of zones are supported:

- Soft zone
- Access Control List (ACL) - hard zone
- Virtual Private Fabric (VPF) - hard zone

### 3.4.1

## Soft Zones

Soft zoning divides the fabric for purposes of controlling discovery. Members of the same soft zone automatically discover and communicate freely with all other members of the same zone. The soft zone boundary is not secure; traffic across soft zones can occur if addressed correctly. The following rules apply to soft zones:

- Soft zones that include members from multiple switches need not include the ports of the inter-switch links.
- Soft zone boundaries yield to ACL and VPF zone boundaries.
- Soft zones can overlap; that is, a port can be a member of more than one soft zone.
- Membership can be defined by Fibre Channel address, domain ID and port ID, or worldwide name.
- Soft zoning supports all port modes.

### 3.4.2

## Access Control List Hard Zones

Access Control List (ACL) zoning divides the fabric for purposes of controlling discovery and inbound traffic. ACL zoning is a type of hard zoning that is hardware enforced. This type of zoning is useful for controlling access to certain devices without totally isolating them from the fabric. Members can communicate with each other and transmit outside the ACL zone, but cannot receive inbound traffic from outside the zone. The following rules apply to ACL zones:

- The ACL zone boundary is secure against inbound traffic.
- ACL zones can overlap; that is, a port can be a member of more than one ACL zone.
- ACL zones that include members from multiple switches need not include the ports of the inter-switch links.
- ACL zone boundaries supersede soft zone boundaries, but yield to VPF zone boundaries.
- Membership can be defined only by domain ID and port ID.
- ACL zoning supports all port modes except TL\_Port.

### 3.4.3

## Virtual Private Fabric Hard Zones

Virtual Private Fabric (VPF) zoning divides the fabric for purposes of controlling discovery and both inbound and outbound traffic. This type of zoning is useful for providing security and reserving paths between devices to guarantee bandwidth. VPF zoning is a type of hard zoning that is hardware enforced. Members can only transmit to and receive from members of the same VPF zone. The VPF zone boundary is secure against both inbound and outbound traffic. The following rules apply to VPF zones:

- VPF zones that include members from multiple switches must include the ports of the inter-switch links.
- VPF zones cannot overlap; that is, a port can be a member of only one VPF zone.
- VPF zone boundaries supersede both soft and ACL zone boundaries.
- Membership can be defined only by domain ID and port ID.
- VPF zoning supports all port modes.

### 3.5

## Fabric Management

The SANbox Manager application and CLI execute on a management workstation that provides for the configuration, control, maintenance of the fabric. Supported platforms include Windows, Windows NT, Solaris, and Linux. The SANbox Manager application can manage multiple fabrics. Consider how many fabrics will be managed, how many management workstations are needed, and whether the fabrics will be managed with the CLI or SANbox Manager.

The switch supports a combined maximum of 15 logins. This includes SANbox Manager inband and out-of-band logins, Application Programming Interface (API) inband and out-of-band logins and Telnet logins. Of this 15, there can be a combined maximum of 10 SANbox Manager and API logins. Additional logins will be refused.



## 3.6

**Fabric Security**

You manage fabric security on a switch basis through the creation of user accounts. Each account consists of an account name, a password, and an authority level. There are two authority levels: User and Admin. These authority levels apply to SANbox Manager and to the CLI. User authority permits only monitoring and display tasks. Admin authority permits all management tasks including user administration. Furthermore, you can enable or disable the enforcement of user accounts and authority levels. Consider your fabric security needs, who the system administrators will be, and authority levels they should have.

- Refer to ["Commands" on page B-3](#) for more information about authority levels.
- Refer to the ["User Command" on page B-67](#) for information about creating user accounts.
- Refer to the ["Set Setup Command" on page B-38](#) and the System keyword for information about fabric security and the enforcement of user accounts and authority levels.

---

## Notes

## Section 4 Installation

This section describes how to install and configure the SANbox2-16 switch. It also describes how to load new firmware.

### 4.1

#### Site Requirements

Consider the following items when installing a SANbox2-16 switch:

- Fabric management workstation
- Power requirements
- Environmental conditions

### 4.1.1

#### Fabric Management Workstation

The requirements for fabric management workstations running SANbox Manager are described in [Table 4-1](#):

**Table 4-1. Management Workstation Requirements**

|                  |   |
|------------------|---|
| Operating System | <ul style="list-style-type: none"><li>■ Windows® NT, 2000, 95/98</li><li>■ Linux® 6.2 Red Hat®</li><li>■ Solaris™</li></ul> |
| Memory           | 128 MB or more  |
| Disk Space       | 150 MB per installation   |
| Processor        | 300 MHz or faster   |
| Hardware         | CD-ROM drive, RS-232 serial port, RJ-45 Ethernet port   |
| Internet Browser | Microsoft® Internet Explorer® or Netscape Navigator®  |

Telnet workstations require an RJ-45 Ethernet port or an RS-232 serial port and an operating system with a Telnet client.

### 4.1.2

#### Switch Power Requirements

Operating voltage requirements are as follows:

90 to 137 Vac; 47 to 63 Hz

180 to 265 Vac; 47 to 63 Hz

### 4.1.3

## Environmental Conditions

Consider the factors that affect the climate in your facility such as equipment heat dissipation and ventilation. The switch requires the following operating conditions:

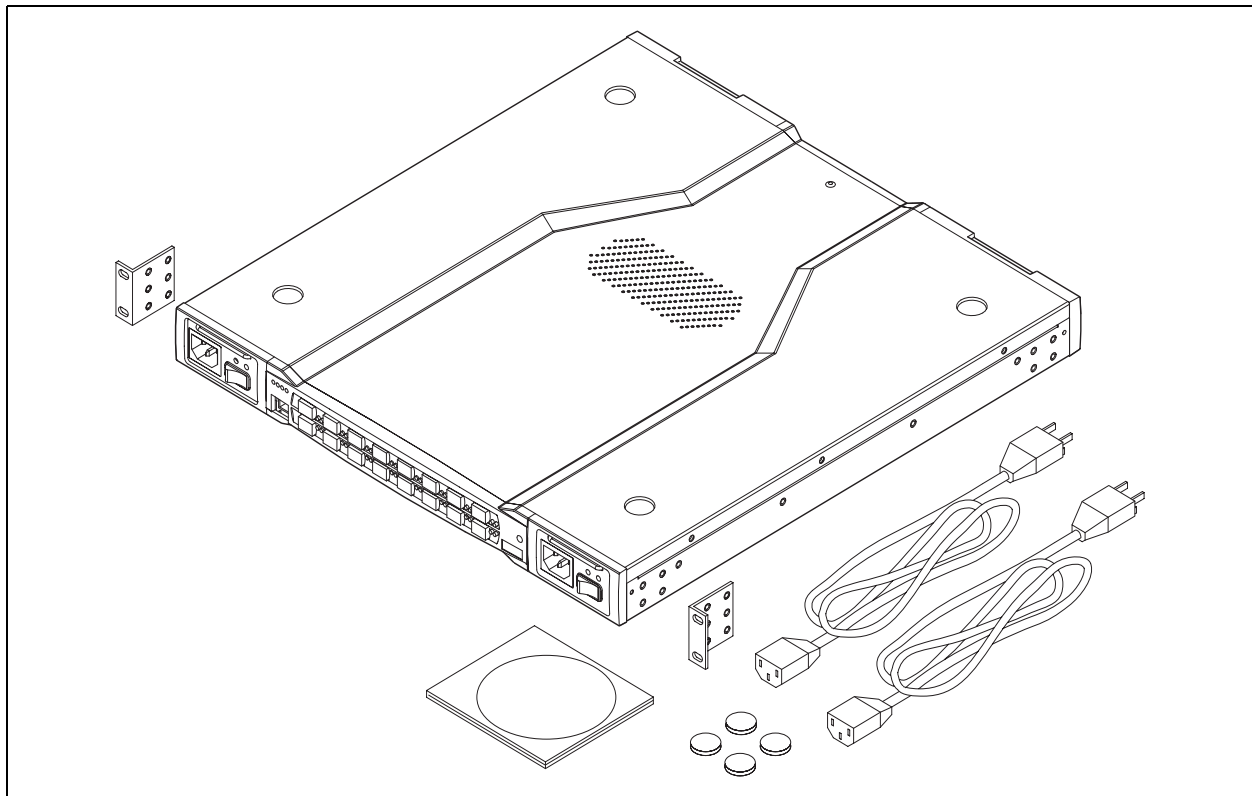
- Operating temperature range: 10° to 40° C (50° - 104°F)
- Relative humidity: 25 - 80%, non-condensing

### 4.2

## Installing a Switch

Unpack the switch and accessories. The SANbox2-16 product is shipped with the components shown in [Figure 4-1](#):

- SANbox2-16 Fibre Channel Switch (1) with firmware installed
- Power cords (2)
- Rubber feet (4)
- Rack mount brackets (2)
- CD containing the SANbox Manager switch management application, release notes, and documentation



**Figure 4-1. SANbox2-16 Fibre Channel Switch**

Installing a SANbox2-16 switch involves the following steps:

1. Mount the switch.
2. Install SFP transceivers.
3. Connect the switch to the AC power source.
4. Connect the management workstation to the switch.
5. Install the SANbox Manager application.
6. Configure the switch.
7. Configure the ports.
8. Cable devices to the switch.

#### 4.2.1

### Mount the Switch

The switch can be placed on a flat surface and stacked or mounted in a 19" EIA rack. The top of each chassis has dimples to receive the rubber feet of a second chassis stacked on top. Without the rubber feet, the switch occupies 1U of space in an EIA rack. Mounting rails are required and available through QLogic Corporation.

**WARNING!!** Mount switches in the rack so that the weight is distributed evenly. An unevenly loaded rack can become unstable possibly resulting in equipment damage or personal injury.

**CAUTION!** If the switch is mounted in a closed or multi-unit rack assembly, make sure that the operating temperature inside the rack enclosure does not exceed the maximum rated ambient temperature. Refer to ["Switch Environmental" on page A-4](#).

The switch must rest on rails or a shelf in the rack or cabinet. Allow 16 cm (6.5 in) minimum clearance at the front and rear of the rack for service access and ventilation.

Do not restrict chassis air flow. Allow 16 cm (6.5 in) minimum clearance at the front and rear of the rack for service access and ventilation.

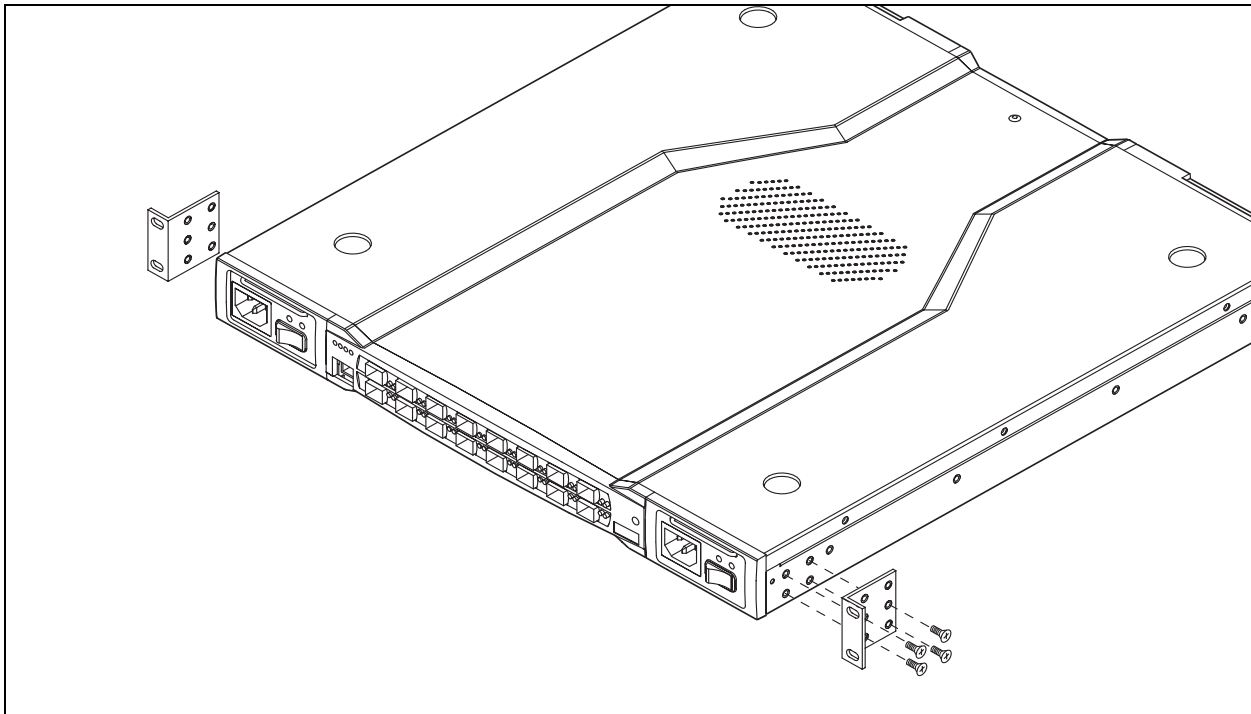
Multiple rack-mounted units connected to the AC supply circuit may overload that circuit or overload the AC supply wiring. Consider the power source capacity and the total power usage of all switches on the circuit. Refer to ["Switch Electrical" on page A-3](#).

Reliable grounding in the rack must be maintained from the switch chassis to the AC power source.

Ensure that the 19-inch rack meets the following standard specifications:

- ANSI/EIA RS-230 Standard, entitled *Cabinets, Racks, Panels, and Associated Equipment*
- MIL-STD- 189, entitled *Racks, Electrical Equipment, 19-Inch and Associated Panels*

The brackets shown in [Figure 4-2](#) are provided with the switch so that the switch can be secured in a shelf. The brackets alone are not designed to support the weight of the switch.



**Figure 4-2. Installing Rack Mount Brackets**

#### 4.2.2 Install SFP Transceivers

The switch will support a variety of interconnection media. Refer to ["SFP Transceivers" on page 6-2](#) for information about removing and installing SFP transceivers.

## 4.2.3

**Connect the Switch to AC Power**

**WARNING!!** This product is supplied with a 3-wire power cable and plug for the user's safety. Use this power cable in conjunction with a properly grounded outlet to avoid electrical shock. An electrical outlet that is not correctly wired could place hazardous voltage on metal parts of the switch chassis. It is the responsibility of the customer to ensure that the outlet is correctly wired and grounded to prevent electrical shock.

You may require a different power cable in some countries because the plug on the cable supplied with the equipment will not fit your electrical outlet. In this case, you must supply your own power cable. The cable you use must meet the following requirements:

- For 125 Volt electrical service, the cable must be rated at 10 Amps and be approved by UL and CSA.
- For 250 Volt electrical service: The cable must be rated at 10 Amps, meet the requirements of H05VV-F, and be approved by VDE, SEMKO, and DEMKO.

**AVERTISSEMENT!!**

Pour la sécurité de l'utilisateur, l'appareil est livré avec un câble d'alimentation trifilaire et une fiche. Pour éviter toute secousse électrique, enficher ce câble à une prise correctement mise à la terre. Une prise électrique dont les fils sont mal branchés peut créer une tension dangereuse dans les pièces métalliques du châssis switch. Pour éviter toute secousse électrique, s'assurer que les fils sont correctement branchés et que la prise est bien mise à la terre.

Dans certains pays les prises électriques sont de modèle différent; on ne peut y enficher le câble de l'appareil. On doit donc en utiliser un autre ayant les caractéristiques suivantes:

- Alimentation 125 V: Câble pour courant nominal de 10 A, agréé LAC et CSA.
- Alimentation 250 V: Câble pour courant nominal de 10 A, conforme au H05VV-F, et agréé VDE, SEMKO et DEMKO.

**WARNUNG!!**

Dieses Produkt wird mit einem 3-adrigen Netzkabel mit Stecker geliefert. Dieses Kabel erfüllt die Sicherheitsanforderungen und sollte an einer vorschriftsmäßigen Schukosteckdose angeschlossen werden, um die Gefahr eines elektrischen Schlages zu vermeiden. Elektrosteckdosen, die nicht richtig verdrahtet sind, können gefährliche Hochspannung an den Metallteilen des switch-Gehäuses verursachen. Der Kunde trägt die Verantwortung für eine vorschriftsmäßige Verdrahtung und Erdung der Steckdose zur Vermeidung eines elektrischen Schlages.

In manchen Ländern ist eventuell die Verwendung eines anderen Kabels erforderlich, da der Stecker des mitgelieferten Kabels nicht in die landesüblichen Steckdosen paßt. In diesem Fall müssen Sie sich ein Kabel besorgen, daß die folgenden Anforderungen erfüllt:

- Für 125 Volt-Netze: 10 Ampere Kabel mit UL- und CSA-Zulassung.
- Für 250 Volt-Netze: 10 Ampere Kabel gemäß den Anforderungen der H05VV-F und VDE-, SEMKO- und DEMKO-Zulassung.

To connect the switch to an AC power source and energize the switch, do the following:

1. Connect the power cords to the AC power receptacles on the front of the switch chassis.
2. Connect each power cord to a 3-wire, grounded, AC outlet that delivers power in accordance with the power requirements in [Appendix A Specifications](#).

**Note:** To provide redundancy in the event of an AC power circuit failure, connect the switch power supplies to separate AC circuits.

3. Place one or both power On/Off switches in the On position to energize the switch logic circuitry. Confirm that the Input Power LED on the switch chassis is illuminated indicating that the switch logic circuitry is receiving DC voltage. If not, contact your authorized maintenance provider.



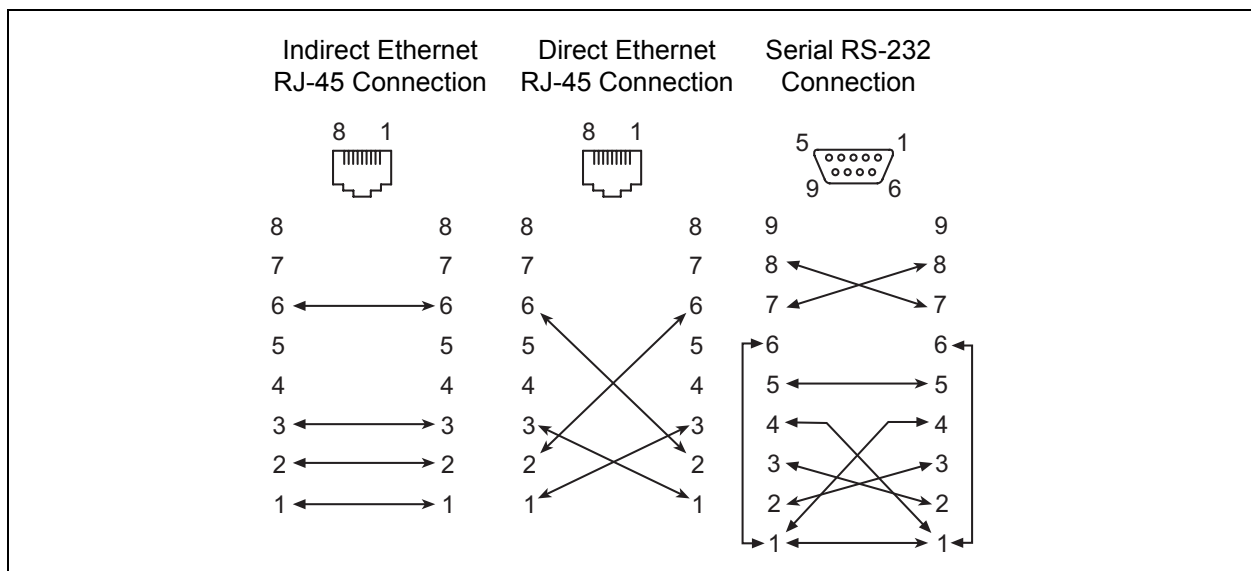
4. Confirm that the Output Power LEDs on both power supplies are illuminated. If not, do the following:
  - a. Check voltage at the AC power source.
  - b. Inspect the power cord.
  - c. Replace the power supply.
5. Observe the Heartbeat LED to determine the results of the Power On Self Test (POST). The POST tests the condition of firmware, memories, data-paths, and switch logic circuitry and passes a blink code to the Heartbeat LED. If the Heartbeat LED blinks steadily about once per second, the POST was successful, and you can continue with the installation process. Any other blink pattern appears indicates that an error has occurred. Refer to "[Heartbeat LED Blink Patterns](#)" on page 5-1 for more information about the error blink pattern.

4.2.4

### Connect the Management Workstation to the Switch

Connect the management workstation to the switch in one of three ways:

- Indirect Ethernet connection from the management workstation to the switch RJ-45 Ethernet connector through an Ethernet switch or a hub. This requires a 10/100 Base-T straight cable as shown in Figure 4-3. With this method, you can manage the switch with the SANbox Manager application or Command Line Interface.
- Direct Ethernet connection from the management workstation to the switch RJ-45 Ethernet connector. This requires a 10/100 Base-T cross-over cable as shown in Figure 4-3. With this method, you can manage the switch with the SANbox Manager application or Command Line Interface.
- Serial port connection from the management workstation to the switch RS-232 serial port connector. This requires a null modem F/F DB9 cable as shown in Figure 4-3. With this method, you can manage the switch with Command Line Interface.



**Figure 4-3. Ethernet and Serial Cable Connections**

#### 4.2.4.1

### Ethernet Connection

To establish an Ethernet connection, do the following:

1. Connect a 10/100 Base-T cross-over cable from an RJ-45 port on the management workstation directly to the RJ-45 Ethernet port; or a 10/100 Base-T straight cable indirectly over an Ethernet network.
2. Log in to the switch with the SANbox Manager application or the Telnet CLI using the default switch IP address 10.0.0.1. The default account name and password are (admin, password).

#### 4.2.4.2

### Serial Connection

To establish a serial port connection, do the following:

1. Connect a null modem F/F DB9 cable from a COM port on the management workstation to the RS-232 serial port on the switch.
2. Configure the connection according to your platform:
  - For Windows:
    - a. Open the HyperTerminal application on a Windows platform. Choose the **Start** button, select **Programs, Accessories, HyperTerminal, and HyperTerminal**.
    - b. Enter a name for the switch connection and choose an icon in the Connection Description window. Choose the **OK** button.
    - c. Select the COM port in the Connect To window and choose the **OK** button.
    - d. Enter the following COM Port settings in the COM Properties window and choose the **OK** button.
      - Bits per second: 9600
      - Data Bits: 8
      - Parity: None
      - Stop Bits: 1
      - Flow Control: None

- For Linux:
    - a. Set up minicom to use the serial port. Create or modify the `/etc/minirc.dfl` file with the following content:

```
pr portdev/ttyS0
pu minit
pu mreset
pu mhangup
```
    - b. Verify that all users have permission to run minicom. Review the `/etc/minicom/users` file and confirm that the line "ALL" exists or that there are specific user entries.
    - c. Enter the following command at the Linux prompt:

```
minicom
```
  - For Solaris:
    - a. Set up Solaris to use the serial port. Modify the `/etc/remote` file to include the following lines:

```
sanbox2:\
:dv=/dev/term/a:br#9600:e1=C^S^Q^U^D:ie%$:oe=^D:
```
    - b. Enter the following command at the Solaris prompt:

```
# tip sanbox2
```
3. Log in to the switch. The default account name and password are (admin, password).
- ```
SANbox2 Login: admin
Password: *****
```

#### 4.2.5 Install SANbox Manager

You can install SANbox Manager on the Windows, Linux, and Solaris platforms. Your switch was shipped with either a SANsurfer® Management Suite Disk or a SANbox2 Installation Disk. Refer to the following installation instructions that correspond to your situation:

- [SANsurfer Management Suite Disk - Windows Installation](#)
- [SANsurfer Management Suite Disk - Linux Installation](#)
- [SANsurfer Management Suite Disk - Solaris Installation](#)
- [SANbox2 Installation Disk - Windows Installation](#)
- [SANbox2 Installation Disk - Linux Installation](#)
- [SANbox2 Installation Disk - Solaris Installation](#)

## 4.2.6

**SANsurfer Management Suite Disk - Windows Installation**

To install the SANbox Manager application on Windows from the SANsurfer® Management Suite Disk, do the following:

1. Close all programs currently running, and Insert the SANsurfer Management Suite Disk into the management workstation CD-ROM drive. If the SANsurfer Management Suite start page does not open in your default browser, do the following:
  - a. Using Windows Explorer, double-click the drive letter which contains the SANsurfer Management Suite Disk.
  - b. Locate and double-click the **Start\_Here.htm** file to open the SANsurfer Management Suite start page in your default browser.
2. On the SANsurfer Management Suite start page, choose the **SANbox Switch Software** button.
3. On the SANbox Switch Software page, scroll to the SANbox2 (2Gb) Series area.
4. In the Windows column, choose the **SANbox Manager** link to open the File Download window.
5. You have a choice of running the installation file from the CD-ROM or downloading the installation file to your hard drive. Choose one of the following:
  - Open the installation file from the CD-ROM and follow the SANbox Manager installation instructions.
  - Specify a location in which to save the **sansurfer\_windows\_install.exe** file, and choose the **Save** button. Double-click the saved **sansurfer\_windows\_install.exe** file and follow the SANbox Manager installation instructions.

#### 4.2.7

### SANsurfer Management Suite Disk - Linux Installation

To install the SANbox Manager application on Linux from the SANsurfer Management Suite Disk, do the following:

1. Close all programs currently running, and insert the SANsurfer Management Suite Disk into the management workstation CD-ROM drive. If a file browser window opens showing icons for the contents of the CD-ROM, double-click the **Start\_Here.htm** file to open the SANsurfer Management Suite start page. If a file browser does not open, double-click the CD-ROM icon on the to open the browser. If there is no CD-ROM icon, do the following:
  - a. Open an xterm or other terminal window.
  - b. Mount the CD-ROM. From a shell prompt, enter the following command:

```
mount /mnt/cdrom
```
  - c. Execute your web browser to view the **Start\_Here.htm** document using one of the following commands:

```
$mozilla file:/mnt/cdrom/Start_Here.htm
```

or

```
$netscape file:/mnt/cdrom/Start_Here.htm
```
  - d. The SANsurfer Management Suite start page opens in your default browser.
2. On the SANsurfer Management Suite start page, choose the **SANbox Switch Software** button.
3. On the SANbox Switch Software page, scroll to the SANbox2 (2Gb) Series area.
4. In the Linux column, choose the **SANbox Manager** link to open the Save As window.
5. Enter a path name to save the **sansurfer\_linux\_install.bin** file, and choose the **Save** button.
6. Open a terminal window for the directory in which the **sansurfer\_linux\_install.bin** file was saved, and enter the following command and press the **Enter** key:

```
chmod +x sansurfer_linux_install.bin
```
7. Enter the following command:

```
./sansurfer_linux_install.bin
```
8. Press the **Enter** key, and follow the SANbox Manager installation instructions.

4.2.8

## SANsurfer Management Suite Disk - Solaris Installation

To install the SANbox Manager application on Solaris from the SANsurfer Management Suite CD-ROM, do the following:

1. Close all programs currently running, and insert the SANsurfer Management Suite Disk into the management workstation CD-ROM drive. If the SANsurfer Management Suite start page does not open in your default browser, do the following:
  - a. Right-click the to open the Workshops Menu.
  - b. Point to and select **Files**, then select **File Manager**.
  - c. In File Manager, double-click the CD-ROM icon, and then double-click the Sansurfer folder.
  - d. In the Sansurfer folder, double-click the **Start\_Here.htm** file to open the SANsurfer Management Suite start page in your default browser.
2. On the SANsurfer Management Suite start page, choose the **SANbox Switch Software** button.
3. On the SANbox Switch Software page, scroll to the SANbox2 (2Gb) Series area.
4. In the Solaris column, choose the **SANbox Manager** link to open the Save As window.
5. Enter a path name to save the **sansurfer\_solaris\_install.pkg** file and choose the **Save** button.
6. Open a terminal window for the directory in which the **sansurfer\_solaris\_install.pkg** file was saved, and enter the following command:
 

```
chmod +x sansurfer_solaris_install.pkg
```
7. Press the **Enter** key.
8. Enter the following command:
 

```
./sansurfer_solaris_install.pkg
```
9. Press the **Enter** key, and follow the SANbox Manager installation instructions.

**Note:** If you download SANbox Manager from a server, be sure the downloaded file has execute permission before installing.

#### 4.2.9

### **SANbox2 Installation Disk - Windows Installation**

To install the SANbox Manager application on Windows from the SANbox2 Installation Disk, do the following:

1. Close all programs currently running, and insert the SANbox2 Installation Disk into the management workstation CD-ROM drive.
2. Using Windows Explorer, double-click the drive letter which contains the SANbox2 Installation Disk.
3. Double click the SANbox\_Manager folder, then double click the Windows folder.
4. Double click the executable file and follow the SANbox Manager installation instructions.

#### 4.2.10

### **SANbox2 Installation Disk - Linux Installation**

To install the SANbox Manager application on Linux from the SANbox2 Installation Disk, do the following:

1. Close all programs currently running, and insert the SANbox2 Installation Disk into the management workstation CD-ROM drive.
2. Open the File Manager and double-click on the CD-ROM icon.
3. Double click the SANbox\_Manager folder, then double click the Linux folder.
4. Double click the executable file and follow the SANbox Manager installation instructions.

#### 4.2.11

### **SANbox2 Installation Disk - Solaris Installation**

To install the SANbox Manager application on Solaris from the SANbox2 Installation Disk, do the following:

1. Close all programs currently running, and insert the SANbox2 Installation Disk into the management workstation CD-ROM drive.
2. Open a terminal window. If the disk isn't already mounted, enter the following command:

```
mount /mnt/cdrom
```

3. Move the directory on the disk that contains the executable. Enter the following command:

```
cd cdrom/cdrom0/sanbox~1/solaris
```

4. Run the executable and follow the SANbox Manager installation instructions. Enter the following command:

```
pkgadd -d sol_pkg
```



## 4.2.12

## Configure the Switch

Do the following to configure a switch using the SANbox Manager application. Refer to the *SANbox2-8c/16 Switch Management User's Guide* for more information about configuring a switch. You can also configure the switch using the Command Line Interface. Refer to [Appendix B Command Line Interface](#) for more information.

1. Connect to the switch using an Ethernet connection and run SANbox Manager.
2. Open the Fabric menu and select **Add Fabric** to open the Add a New Fabric window.
3. Enter a fabric name and the IP address of the switch through which to manage the fabric. The default IP address is 10.0.0.1. If this is a new switch, leave the login name and password fields empty, and choose the **Add Fabric** button. By default, fabric security is disabled, and therefore account names and passwords are not enforced. Refer to the ["Set Setup Command" on page B-38](#) for information about setting fabric security.
4. Open the Switch menu and select **Switch Properties**. In the Switch Properties window, enter a chassis name. Accept the default domain ID, and choose the **OK** button.
5. Open the Switch menu and select **Network Properties**. In the Network Properties window, enter values for the IP address, subnet mask, and gateway address. Accept the default boot method. If you know the SNMP configuration settings, enter those as well. Choose the **OK** button.
6. Set the date and time. Double click on the switch in the topology display. In the faceplate display, open the Switch menu and select **Set Date/Time**. Enter the date and time in the Switch Date and Time window and choose the **OK** button. Reset the switch when prompted to implement the new date and time.

Repeat this process for each switch in the fabric, then connect the switches.

#### 4.2.13

### Configure the Ports

Configuring a port involves defining the port mode. For public devices and other switches, a switch automatically sets the port mode as each port discovers the type of device to which it is connected. The default port mode is GL\_Port.

A GL\_Port will self configure as an FL\_Port when connected to a loop of public devices or an F\_Port when connected to a single device. A G\_Port will self configure as an F\_Port when connected to a single public device. Both GL\_Ports and G\_Ports self configure as E\_Ports when connected to another switch. Refer to the *SANbox2-8c/16 Switch Management User's Guide* for more information about configuring ports. You can also configure ports using the CLI. Refer to [Appendix B Command Line Interface](#) for more information.

#### 4.2.14

### Cable Devices to the Switch

Connect cables to the SFP transceivers and their corresponding devices, and then energize the devices. Device host bus adapters can have SFP (or SFF) transceivers or GigaBit Interface Converters (GBIC). LC-type duplex fiber optic cable connectors are designed for SFP transceivers, while SC-type connectors are designed for GBICs. Duplex cable connectors are keyed to ensure proper orientation. Choose the fiber optic cable with the connector combination that matches the device host bus adapter.

### 4.3 Install Firmware

The switch comes with current firmware installed. You can upgrade the firmware from the management workstation as new firmware becomes available. Firmware installation involves loading the firmware image file onto the switch, unpacking the image file, and then resetting the switch to activate the new firmware. New firmware can be loaded on the switch while the switch is operating without disrupting service. However, you must reset the switch to activate the new firmware, which does disrupt service.

You can use the SANbox Manager application or the CLI to install new firmware:

- The SANbox Manager application loads and unpacks the firmware image file in one operation. Refer to ["Using SANbox Manager to Install Firmware" on page 4-17](#).
- When using the CLI on a workstation that has an FTP server, you can open a Telnet session and load and unpack the firmware image file using the CLI Image command. Refer to ["Using the CLI to Install Firmware" on page 4-18](#).
- When using the CLI on a workstation without an FTP server, you must open an FTP session through the switch to load the image file, then open a Telnet session to unpack it with the CLI Image command. Refer to ["Using FTP and the CLI to Install Firmware" on page 4-19](#).

#### 4.3.1 Using SANbox Manager to Install Firmware

To install firmware using SANbox Manager, do the following:

1. From the Faceplate display, open the Switch menu and select **Load Firmware**.
2. In the Firmware Upload window, browse and select the firmware file you want to load.
3. In the Firmware Upload window, choose the **Start** button to begin the loading process. When the firmware is finished loading, the Bytes Transferred field displays the number of bytes that have been transferred.
4. Choose the **Close** button to close the Firmware Upload window.
5. Open the Switch menu and select **Reset Switch** to activate the new firmware.

### 4.3.2

## Using the CLI to Install Firmware

To install firmware using the CLI when an FTP server is present on the management workstation, do the following:

1. Connect to the switch through the Ethernet or the serial port and open a Telnet session.

2. Enter the following account name and password:

```
SANbox2 Login:admin
```

```
Password: password
```

3. To start an admin session, enter the following:

```
cli $> admin start
```

4. Retrieve the firmware file. The device on which the firmware file is stored must be running an FTP server. Enter the following command to retrieve the firmware file from the specified IP address:

```
cli (admin) #> image fetch username 10.0.0.254  
firmwarefilenameetoload firmwarefilenameeswitch  
Connected to 10.0.0.254.
```

**Note:** If prompted for your password, enter your password (for that IP Address) and press the Enter key.

```
331 Password required for username.  
Password:  
230 User username logged in.  
bin  
200 Type set to I.  
verbose  
Verbose mode off.
```

5. Enter the following command to display the list of firmware files:

```
cli (admin) #> image list
```

6. Enter the following command to install the new firmware:

```
cli (admin) #>image unpack firmwarefilenameeswitch
```

7. Reset the switch to activate the new firmware.

```
cli (admin) $>reset
```

## 4.3.3

**Using FTP and the CLI to Install Firmware**

To install firmware using the CLI when the management workstation does not have an FTP server, do the following:

1. Connect to the switch through the Ethernet or the serial port.
2. Move to the folder or directory that contains the new firmware image file.
3. Establish communications with the switch using the File Transfer Protocol (FTP). Enter one of the following on the command line:

```
>ftp xxx.xxx.xxx.xxx
```

or

```
>ftp switchname
```

where *xxx.xxx.xxx.xxx* is the switch IP address, and *switchname* is the switch name associated with the IP address.

4. Enter the following account name and password:

```
user:images
```

```
password: images
```

5. Activate binary mode and copy the firmware image file on the switch:

```
ftp>bin
```

```
ftp>put filename
```

6. Close the FTP session.

```
ftp>quit
```

7. Establish communications with the switch using the CLI. Enter one of the following on the command line:

```
telnet xxx.xxx.xxx.xxx
```

or

```
telnet switchname
```

where *xxx.xxx.xxx.xxx* is the switch IP address, and *switchname* is the switch name associated with the IP address.

8. A Telnet window opens prompting you for a login. Enter an account name and password. The default account name and password are (admin, password).
9. Open an Admin session to acquire the necessary authority.

```
cli $>admin start
```

10. Display the list of firmware image files on the switch to confirm that the file was loaded. Refer to the ["Image Command" on page B-13](#) for more information.

```
cli (admin) $>image list
```

11. Unpack the firmware image file to install the new firmware in flash memory.

```
cli (admin) $>image unpack filename
```

12. Reset the switch to activate the new firmware. This will close the Telnet session by default.

```
cli (admin) $>reset
```

#### 4.4 Powering Down a Switch

Simply unplugging the switch from the power source does not allow the switch to complete executing tasks and could lead to flash memory corruption. For this reason, open a Telnet session and use the Shutdown command to initiate an orderly shut down, then power down the switch. Refer to the ["Shutdown Command" on page B-62](#).

## Section 5

# Diagnostics/Troubleshooting

Diagnostic information about the switch is available through the chassis LEDs, the power supply LEDs, and the port LEDs. Diagnostic information is also available through the SANbox Manager and CLI event logs and error displays. This section describes two types of diagnostics: Power On Self Test (POST) and chassis. POST diagnostics describe the Heartbeat LED and the port Logged-In LED indications. Chassis diagnostics cover power supply and fan diagnostics as well as over temperature conditions. This section also describes how to use maintenance mode to recover a disabled switch.

### 5.1

## POST Diagnostics

The switch performs a series of Power On Self Tests (POST) as part of its power-up procedure. The POST diagnostic program performs the following tests:

- Checksum tests on the boot firmware in PROM and the switch firmware in flash memory
- Internal data loopback test on all ports
- Access and integrity test on the ASIC

During the POST, the switch logs any errors encountered. Some POST errors are fatal, others are non-fatal. The switch uses the Heartbeat LED and the Logged-In LED to indicate switch and port status. A fatal error disables the switch so that it will not operate. A non-fatal error allows the switch to operate, but disables the ports that have errors. Whether the problem is fatal or non-fatal, contact your authorized maintenance provider.

If there are no errors, the Heartbeat LED blinks at a steady rate of once per second. If a fatal error occurs, the Heartbeat LED will show an error blink pattern. If there are non-fatal errors, the switch disables the failed ports and flashes the associated Logged-In LEDs. Refer to ["Heartbeat LED Blink Patterns" on page 5-1](#) for more information about Heartbeat LED blink patterns.

### 5.1.1

## Heartbeat LED Blink Patterns

#### 5.1.1.1

### Normal (all pass)

If all POST diagnostics pass, the switch will go to normal operation and the Heartbeat LED will blink at a steady rate of one (1) blink per second.

5.1.1.2

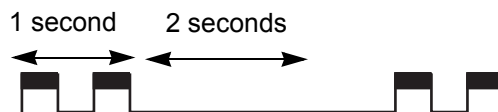
### Maintenance Mode Pattern

Steady illumination indicates that the switch is in maintenance mode, which returns the switch IP address to 10.0.0.1. From maintenance mode, you may reload firmware, reset the password to the factory default, and remove a corrupt configuration.

5.1.1.3

### Internal Firmware Failure Blink Pattern

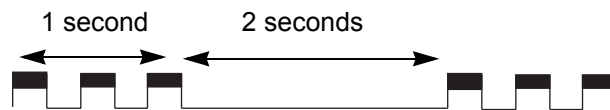
An internal firmware failure blink pattern is 2 blinks per second followed by a two second pause. The 2-blink error pattern indicates that the firmware has failed, and that the switch must be reset. Power cycle the switch to reset it.



5.1.1.4

### Fatal Error Blink Pattern

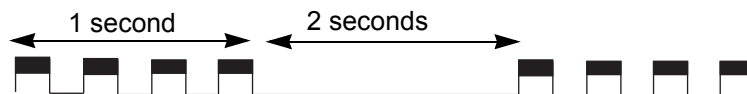
A fatal error blink pattern is 3 blinks per second followed by a two second pause. The 3-blink error pattern indicates that a fatal error has left the switch inoperable. If a fatal error occurs, contact your authorized maintenance provider.



5.1.1.5

### Configuration File System Error Blink Pattern

A configuration file system error blink pattern is 4 blinks per second followed by a two second pause. The 4-blink error pattern indicates that a configuration file system error has occurred, and that the configuration file must be recreated. Refer to ["Recovering a Switch" on page 5-12](#) for more information.



To recreate the configuration file, do the following:

1. Open a Telnet session and use the Shutdown command to close activity on the switch, then power down the switch. Refer to the ["Shutdown Command" on page B-62](#).



2. Place the switch in maintenance mode. Press and hold the Maintenance button, then power up the switch. Refer to ["Recovering a Switch" on page 5-12](#) for more information about placing the switch in maintenance mode.

3. Establish a Telnet session with the switch using the default IP address 10.0.0.1.

```
telnet 10.0.0.1
```

4. Enter the account name (prom) and password (prom), and press the Enter key.

```
Sanbox2 login: prom
Password:xxxx
[username@host:Itasca]% telnet 10.0.0.1
Trying 10.0.0.1...
Connected to 10.0.0.1.
Escape character is '^]'.
```

5. The following menu is displayed. Enter "6" (Remake Filesystem) and press the Enter key to recreate the configuration file.

```
0) Exit
1) Image Unpack
2) Reset Network Config
3) Reset Password File
4) Copy Log Files
5) Remove Switch Config
6) Remake Filesystem
7) Reset Switch
Option: 6
```

6. When the recreate process is complete, select option 7 to reset the switch and exit maintenance mode.

7. If a previously saved configuration file is available for the switch, do the following to restore the configuration file.

- a. Establish communications with the switch using the File Transfer Protocol (FTP). Enter one of the following on the command line:

```
>ftp xxx.xxx.xxx.xxx
```

or

```
>ftp switchname
```

where *xxx.xxx.xxx.xxx* is the switch IP address and *switchname* is the switch name associated with the IP address.

- b. Enter the following account name and password:

```
user:images
```

```
password:images
```

- c. Activate binary mode and copy the configuration file from the workstation to the switch. The configuration file must be named "configdata".

```
ftp>bin  
ftp>put configdata
```

- d. Close the FTP session.

```
ftp>quit
```

- e. Establish communications with the switch using Telnet. Enter one of the following on the command line:

```
telnet xxx.xxx.xxx.xxx
```

or

```
telnet switchname
```

where *xxx.xxx.xxx.xxx* is the switch IP address and *switchname* is the switch name associated with the IP address.

- f. A Telnet window opens prompting you for a login. Enter an account name and password. The default account name and password are (admin, password).

- g. Open an admin session to acquire the necessary authority.

```
cli $>admin start
```

- h. Restore the configuration file.

```
cli (admin) $>config restore
```

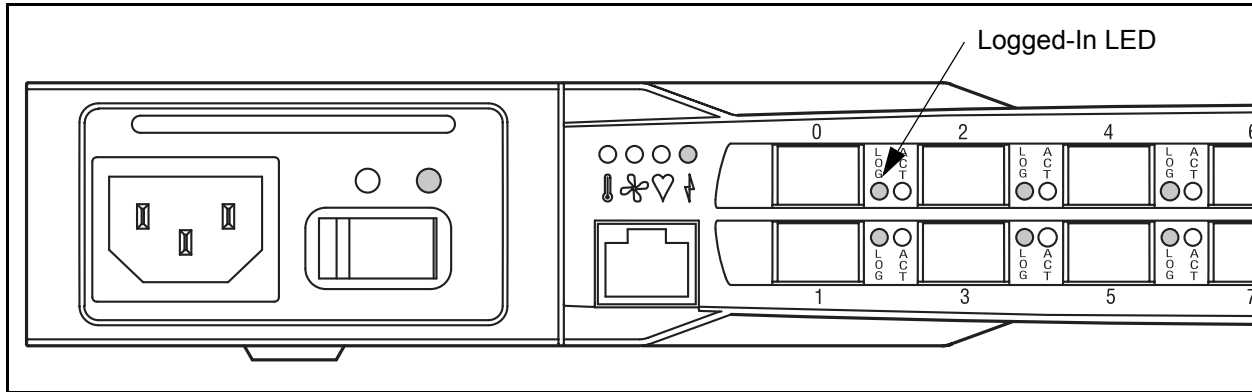
- i. Reset the switch and close the Telnet session.

```
cli (admin) $>reset
```

5.1.2

**Logged-In LED Indications**

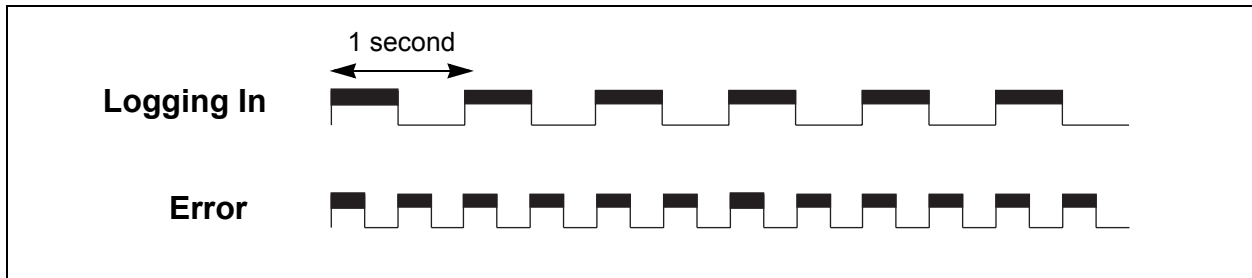
Port diagnostics are indicated by the Logged-In LED for each port as shown in [Figure 5-1](#).



**Figure 5-1. Port Logged-In LED**

The Logged-In LED has three indications:

- Logged in - Continuous illumination.
- Logging in - Flashes at roughly once per second as shown in [Figure 5-2](#).
- Error - Flashes at roughly twice per second as shown in [Figure 5-2](#).



**Figure 5-2. Logged-In LED Indications**

If a Logged-In LED shows an error indication, review the alarm log for messages regarding the affected port. You can inspect the alarm log using the Alarm data tab in SANbox Manager faceplate display or the Show Alarm command. Pertinent alarm log messages will point to one or more of the following conditions:

- E\_Port isolation
- Excessive port errors

### 5.1.2.1

## E\_Port Isolation

A Logged-In LED error indication is often the result of E\_Port isolation. An isolated E\_Port is indicated by a red link in the SANbox Manager topology display. E\_Port isolation can be caused by conflicting domain IDs, conflicting timeout values, or conflicting zone membership between active zone sets. Refer to the *SANbox2-8c/16 Switch Management User's Guide* for information about how to change domain IDs, timeout values, and edit zoning.

Review the alarm log and do the following to diagnose and correct an isolated E\_Port:

1. Display the fabric domain IDs using the Show Domains command or the Switch data tab in the SANbox Manager topology display. Are all domain IDs in the fabric unique?
  - Yes - Continue.
  - No - Correct the domain IDs on the offending switches using the Set Config Switch command or the SANbox Manager Switch Properties window. Reset the port. If the condition remains, continue.
2. Compare the RA\_TOV, ED\_TOV, RT\_TOV timeout values for all switches in the fabric using the Show Config Switch command or the Switch data tab of the SANbox Manager topology display. Is each timeout value the same on every switch?
  - Yes - Continue.
  - No - Correct the timeout values on the offending switches using the Set Config Switch command or the SANbox Manager Switch Properties window. Reset the port. If the condition remains, continue.
3. Display the active zone set on each switch using the Zoning Active command or the Active Zoneset tab of the SANbox Manager topology display. Compare the zone membership between the two active zone sets. Are they the same?
  - Yes - Contact your authorized maintenance provider.
  - No - Deactivate one of the active zone sets or edit the conflicting zones so that their membership is the same. Reset the port. If the condition remains, contact your authorized maintenance provider.

**Note:** This can be caused by merging two fabrics whose active zone sets have two zones with the same name, but different membership.

### 5.1.2.2

## Excessive Port Errors

The switch monitors a set of port errors and generates alarms based on user-defined sample intervals and thresholds. Refer to the *SANbox2-8c/16 Switch Management User's Guide* for information about managing alarms. These port errors include the following:

- CRC errors
- Decode errors
- ISL connection count
- Login errors
- Logout errors
- Loss-of-signal errors

If the count for any of these errors exceeds the rising threshold for three consecutive sample intervals, the switch generates an alarm and disables the affected port, changing its operational state to “down”. Port errors can be caused by the following:

- Thresholds are too low or the sample interval is too small
- Faulty Fibre Channel port cable
- Faulty SFP
- Faulty port
- Fault device or HBA

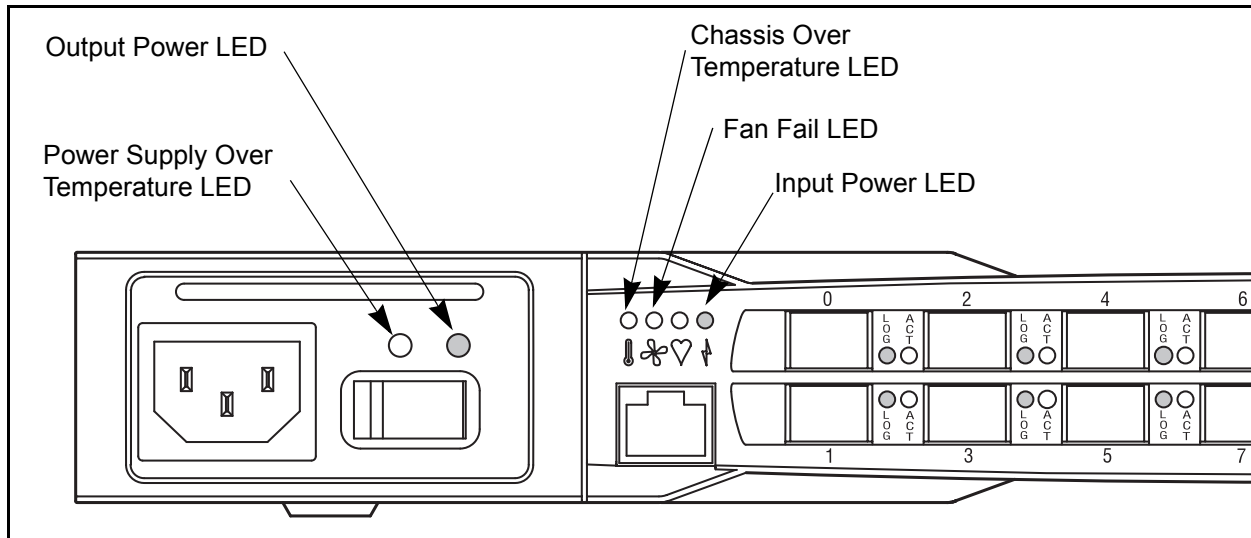
Review the alarm log to determine if excessive port errors are responsible for disabling the port. Look for a message that mentions one of the monitored error types indicating that the port has been disabled, then do the following:

1. Examine the alarm configuration for the associated error using the Show Config Threshold command or the SANbox Manager application. Refer to the ["Show Config Command" on page B-53](#). Refer to [Table B-4](#) for a list of the alarm configuration defaults. Are the thresholds and sample interval correct?
  - Yes - Continue
  - No - Correct the alarm configuration. If the condition remains, continue.

- 
2. Reset the port, then perform an external port loopback test to validate the port and the SFP. Refer to the ["Test Command" on page B-63](#) or the *SANbox2-8c/16 Switch Management User's Guide* for information about testing ports. Does the port pass the test?
    - Yes - Continue
    - No - Replace the SFP and repeat the test. If the port does not pass the test, contact your authorized maintenance provider. Otherwise continue.
  3. Replace the Fibre Channel port cable. Is the problem corrected?
    - Yes - Complete.
    - No - Continue.
  4. Inspect the device to which the affected port is connected and confirm that the device and its HBA are working properly. Make repairs and corrections as needed. If the condition remains, contact your authorized maintenance provider.

## 5.2 Chassis Diagnostics

Chassis diagnostics are indicated by the chassis and power supply LEDs as shown in [Figure 5-3](#).



**Figure 5-3. Chassis and Power Supply LEDs**

The following conditions are described:

- Chassis Over Temperature LED is illuminated
- Input Power LED is extinguished
- Fan Fail LED is illuminated
- Output Power LED is extinguished
- Power supply Over Temperature LED is illuminated

**Note:** The chassis and power supply Over Temperature LEDs are different. The chassis LED indicates an over temperature condition in the switch logic circuitry; the power supply LED indicates an over temperature condition in the power supply.

### 5.2.1

## Chassis Over Temperature LED is Illuminated

The chassis Over Temperature LED illuminates to indicate that the switch logic circuitry is overheating. If the chassis Over Temperature LED illuminates, do the following:

1. Inspect the chassis fans. Are the intake openings clear? Are both fans operating and producing air flow?
  - Yes - Continue.
  - No - Remove any debris from fan intakes and exhausts if necessary. Replace any fan that is not operating. Refer to [Section 6 Removal/Replacement](#). If the condition remains, continue.
2. Consider the ambient air temperature near the switch. Make necessary corrections. If the condition remains, shut down the switch immediately and contact your authorized maintenance provider.

### 5.2.2

## Input Power LED Is Extinguished

The Input Power LED illuminates to indicate that the switch logic circuitry is receiving proper voltages. If the Input Power LED is extinguished, inspect the Output Power LED. Is the Output Power LED illuminated?

- Yes - Contact your authorized maintenance provider.
- No - Refer to ["Output Power LED Is Extinguished" on page 5-11](#).

### 5.2.3

## Fan Fail LED is Illuminated

The Fan Fail LED illuminates to indicate a malfunction with one or both of the chassis fans. If the Fan Fail LED illuminates, do the following:

1. Inspect the chassis fan connections. Remove and reinstall the chassis fan. Refer to [Section 6 Removal/Replacement](#). If the condition remains, continue.
2. Are both fans operating and producing equal air flow?
  - Yes - Contact your authorized maintenance provider.
  - No - Replace the weaker chassis fan. Refer to [Section 6 Removal/Replacement](#). If the condition remains, contact your authorized maintenance provider.

**Note:** Removing a fan will not illuminate the Fan Fail LED.



#### 5.2.4

### Output Power LED Is Extinguished

The Output Power LED illuminates to indicate that the power supply is producing the proper voltages. If the Output Power LED is extinguished, do the following:

1. Inspect the power supply Over Temperature LED. Is the power supply Over Temperature LED illuminated?
  - Yes - Refer to ["Power Supply Over Temperature LED is Illuminated"](#) on [page 5-11](#).
  - No - Continue.
2. Inspect the power cables and connectors. Are the cables unplugged? Are the cables or connectors damaged?
  - Yes - Make necessary corrections or repairs. If the condition remains, continue.
  - No - Continue.
3. Inspect the power source. Is the power source delivering the proper voltage?
  - Yes - Continue
  - No - Make necessary repairs. If the condition remains, continue.
4. Replace the power supply. Refer to [Section 6 Removal/Replacement](#). If the condition remains, contact your authorized maintenance provider.

#### 5.2.5

### Power Supply Over Temperature LED is Illuminated

The power supply Over Temperature LED illuminates to indicate that the power supply is overheating. If the power supply Over Temperature LED illuminates, do the following:

1. Inspect the chassis fans. Are the intake openings clear? Are both fans operating and producing air flow?
  - Yes - Continue.
  - No - Remove any debris from fan intakes if necessary. Replace any fan that is not operating. Refer to [Section 6 Removal/Replacement](#). If the condition remains, continue.
2. Consider the ambient air temperature near the switch and clearance around the switch. Make necessary corrections. If the condition remains, continue.
3. Replace the power supply. Refer to [Section 6 Removal/Replacement](#). If the condition remains, contact your authorized maintenance provider.

### 5.3

## Recovering a Switch

A switch can become inoperable or unmanageable for the following reasons:

- Firmware becomes corrupt
- IP address is lost
- Switch configuration becomes corrupt
- Forgotten password

In these specific cases, you can recover the switch using maintenance mode. Maintenance mode temporarily returns the switch IP address to 10.0.0.1 and provides opportunities to do the following:

- Unpack a firmware image file
- Restore the network configuration parameters to the default values
- Remove all user accounts and restore the Admin account name password to the default.
- Copy the log file
- Restore factory defaults for all but user accounts and zoning
- Restore all switch configuration parameters to the factory default values
- Reset the switch

To recover a switch, do the following:

1. Place the switch in maintenance mode. Do the following:
  - a. Power down the switch.
  - b. Press and hold the Maintenance button with a pointed tool, then power up the switch. All chassis LEDs will illuminate, then extinguish leaving only the Input Power LED illuminated. Release the button.
2. Allow one minute for the switch to complete its tests. When the switch is in maintenance mode, the Input LED will be illuminated and the Heartbeat LED will illuminate continuously. All other chassis LEDs will be extinguished.
3. Establish a Telnet session with the switch using the maintenance mode IP address 10.0.0.1.
4. Enter the maintenance mode account name and password (prom, prom), and press the Enter key.

```
Sanbox login: prom
Password:xxxx
[username@anteater:Itasca]% telnet 10.0.0.1
Trying 10.0.0.1...
Connected to 10.0.0.1.
Escape character is '^'.
```

5. The maintenance menu displays several recovery options. To select a switch recovery option, press the corresponding number (displayed in option: field) on the keyboard and press the Enter key.

```
0) Exit
1) Image Unpack
2) Reset Network Config
3) Reset Password File
4) Copy Log Files
5) Remove Switch Config
6) Remake Filesystem
7) Reset Switch
Option:
```

These options and their use are described in the following sections.

### 5.3.1

## Maintenance – Exit

This option closes the current login session. To log in again, enter the maintenance mode account name and password (prom, prom).

### 5.3.2

## Maintenance – Image Unpack

This option unpacks and installs new firmware when the current firmware has become corrupt. Before using this option, you must load the new firmware image file onto the switch. The steps to install new firmware using this option are as follows:

1. Place the switch in maintenance mode. Refer to the procedure for maintenance mode in ["Recovering a Switch" on page 5-12](#).
2. Use FTP to load a new firmware image file onto the switch. Refer to ["Using FTP and the CLI to Install Firmware" on page 4-19](#). Do not unpack the firmware image file with the Image command.
3. Select option 1 from the maintenance menu. When prompted for a file name prompt, enter the firmware image file name.

```
Image filename: filename
Unpacking 'filename', please wait...
Unpackage successful.
```

4. Select option 7 to reset the switch and exit maintenance mode.

### 5.3.3

## Maintenance – Reset Network Config

This option resets the network properties to the factory default values and saves them on the switch. Refer to [Table B-6](#) for the default network configuration values.

### 5.3.4

## Maintenance – Reset Password File

This option restores the password for the Admin account name to the default (password) and removes all other user accounts from the switch.

### 5.3.5

## Maintenance – Copy Log Files

This option copies all log file buffers to a file on the switch named *logfile*. You can use FTP to download this file to the management workstation.

### 5.3.6

## Maintenance – Remove Switch Config

This option deletes all configurations from the switch except for the default configuration. This restores switch configuration parameters to the factory defaults except for user accounts and zoning. Refer to [Table B-2](#) though [Table B-6](#) for the factory default values.

### 5.3.7

## Maintenance – Remake Filesystem

In the event of sudden loss of power, it is possible that the switch configuration may become corrupt. The file system on which the configuration is stored must be re-created. This option resets the switch to the factory default values including user accounts and zoning. Refer to [Table B-2](#) though [Table B-6](#) for the factory default values.

**CAUTION!** If you choose the **Remake Filesystem** option, you will lose all changes made to the fabric configuration that involve that switch, such as password and zoning changes. You must then reconfigure the portions of the fabric that involve the switch.

### 5.3.8

## Maintenance – Reset Switch

This option closes the Telnet session, exits maintenance mode and reboots the switch using the current switch configuration. All unpacked firmware image files that reside on the switch are deleted.

## Section 6

# Removal/Replacement

This section describes the removal and replacement procedures for the following field replaceable units (FRU):

- SFP transceivers
- Power supplies
- Fans

The switch is equipped with a battery that powers the non-volatile memory. This memory stores the switch configuration. The battery is not a field replaceable unit.

**WARNING!!** Danger of explosion if battery is incorrectly replaced. Replace only with the same or equivalent type recommended by the manufacturer. Dispose of the used battery according to the manufacturer's instructions.

**WARNUNG!!** Bei unsachgemäß ausgetauschter Batterie besteht Explosionsgefahr. Die Batterie nur mit der gleichen Batterie oder mit einem äquivalenten, vom Hersteller empfohlenen Batterietyp ersetzen. Die gebrauchte Batterie gemäß den Herstelleranweisungen entsorgen.

**AVERTISSEMENT!!** Danger d'explosion si le remplacement de la pile est incorrect. Ne remplacer que par une pile de type identique ou équivalent recommandé par le fabricant. Jeter la pile usagée en observant les instructions du fabricant.

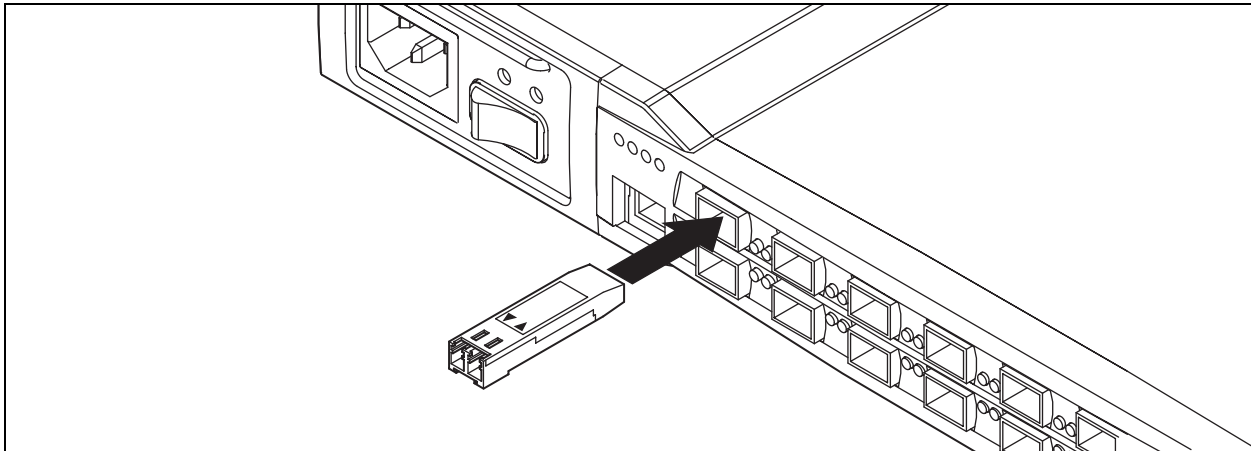
6.1

## SFP Transceivers

The SFP transceivers can be removed and replaced while the switch is operating without damaging the switch or the transceiver. However, transmission on the affected port will be interrupted until the transceiver is installed.

To remove a transceiver, gently press the transceiver into the port to release the tension, then pull on the release tab or lever and remove the transceiver. Different transceiver manufacturers have different release mechanisms. Consult the documentation for your transceiver. To install, insert the transceiver into the port and gently press until it snaps in place as shown in [Figure 6-1](#).

**Note:** The SFP transceiver will fit only one way. If the SFP does not install under gentle pressure, flip it over and try again.



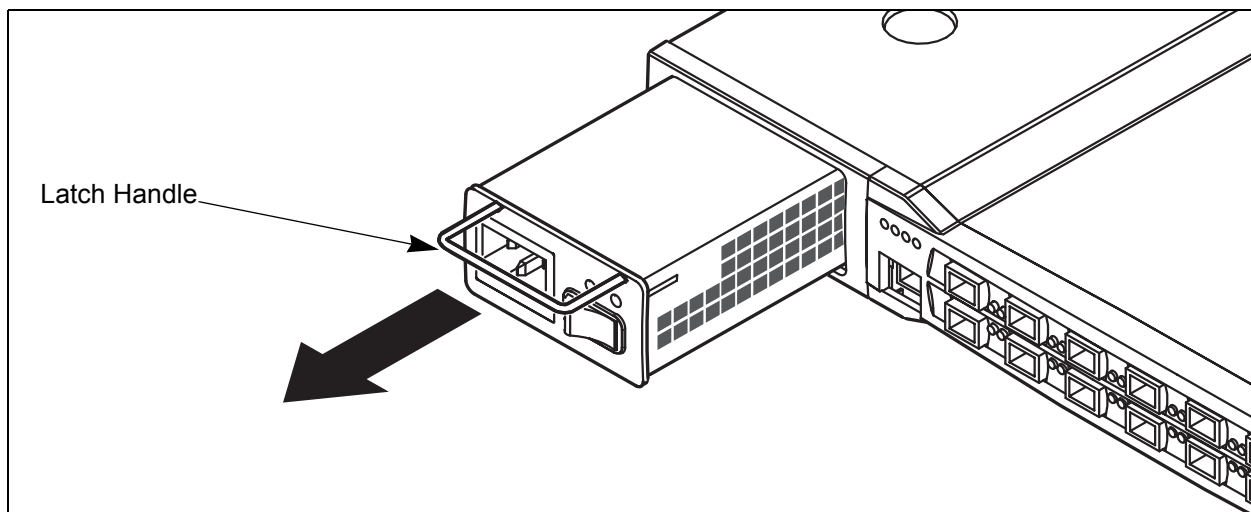
**Figure 6-1. SFP Transceiver Installation**

## 6.2 Power Supplies

The power supplies are hot pluggable. This means you can remove or install one of the power supplies while the switch is operating without disrupting service. The power supplies are also interchangeable; that is, the left and right power supplies are the same unit.

To remove the power supply, grasp the power supply latch handle and pull firmly to release the latches and disengage the modular connector. Slide the power supply out of its bay as shown in [Figure 6-2](#).

To install a power supply, slide the power supply into the bay with the latch handle on top. Press the power supply firmly into place until it is fully seated, then push the latch handle in against the power supply to engage the latches.

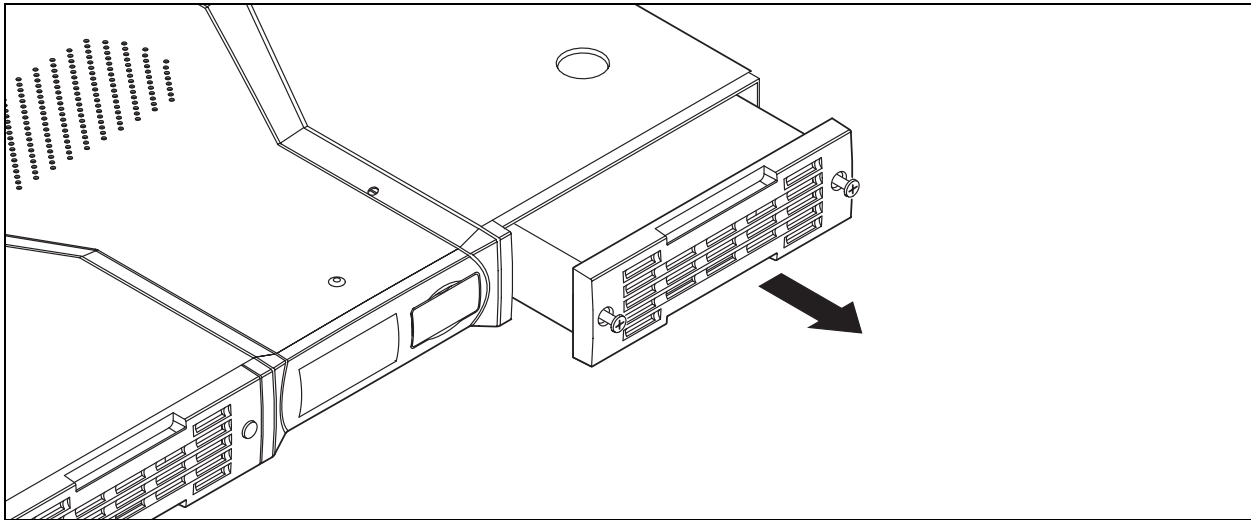


**Figure 6-2. Power Supply Removal**

### 6.3 Fans

The fans are hot pluggable. This means you can remove or install one of the fans while the switch is operating without disrupting service. The fan is completely enclosed, so there is no risk of injury from the fan blades. The fans are also interchangeable; that is, the left and right fans are the same unit.

To remove a fan, loosen the two retaining screws, then grasp the fan housing and pull firmly to disengage the modular connector. Slide the fan out of its bay as shown in [Figure 6-2](#).



**Figure 6-3. Fan Removal**

When replacing a fan, consider the following:

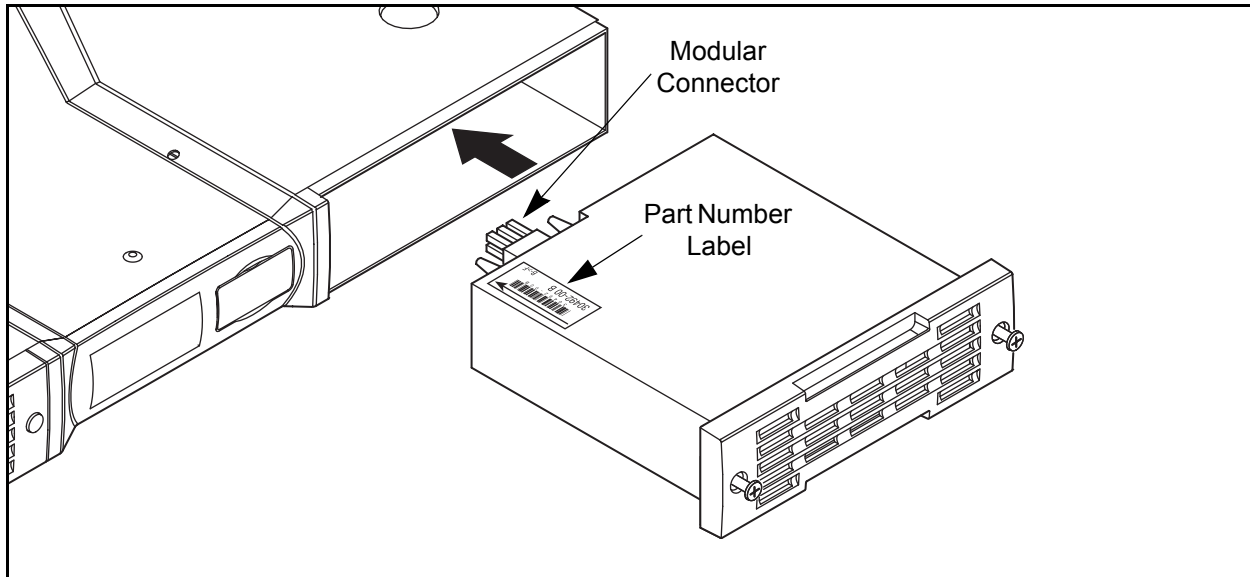
- The left and right fans are interchangeable. However, you must orient the fan so that the modular connector aligns with the mating connector in the switch as shown in [Figure 6-4](#).
- Replacement fans must be compatible with the switch air flow direction. Air flow direction for switch model SB2A-16A is front-to-back; air flow direction for switch model SB2A-16B is back-to-front.
- A label on the fan indicates the switch model number and fan air flow direction as shown in [Figure 6-4](#).

**CAUTION!** Both fans must have the same air flow direction to prevent the switch from overheating.



To install a fan, do the following:

1. Confirm that the new fan is compatible with the switch air flow direction.
2. Align the modular connector toward the inside of the switch as shown in [Figure 6-4](#).
3. Slide the fan into the bay until it is firmly seated and confirm that the air flow is correct. Fasten the screws.



**Figure 6-4. Fan Installation for Switch Model SB2A-16B**

---

## Notes

# Appendix A Specifications

Appendix A contains the specifications for the SANbox2-16 Fibre Channel switch. Refer to [Section 2 General Description](#) for the location of all connections, switches, controls, and components.

## A.1 Switch Specifications

|                                     |                                                                                                                                                                                                                          |
|-------------------------------------|--------------------------------------------------------------------------------------------------------------------------------------------------------------------------------------------------------------------------|
| Fibre Channel Protocols .....       | FC-PH Rev. 4.3<br>FC-PH-2<br>FC-PH-3<br>FC-AL Rev 4.5<br>FC-AL-2 Rev 7.0<br>FC-FLA<br>FC-GS-3<br>FC-FG<br>FC-PLDA<br>FC-Tape<br>FC-VI<br>FC-SW-2<br>Fibre Channel Element MIB RFC 2837<br>Fibre Alliance MIB Version 3.0 |
| Fibre Channel Classes of Service .. | Classes 2 and 3                                                                                                                                                                                                          |
| Modes of Operation .....            | Fibre Channel Classes 2 and 3,<br>connectionless                                                                                                                                                                         |
| Port Types.....                     | F_Port<br>FL_Port<br>TL_Port<br>E_Port<br>G_Port<br>GL_Port                                                                                                                                                              |
| Port Characteristics .....          | All ports are auto-discovering and<br>self-configuring.                                                                                                                                                                  |
| Number of Fibre Channel Ports ..... | 16 ports per chassis                                                                                                                                                                                                     |
| Scalability.....                    | Maximum 239 switches depending on<br>configuration                                                                                                                                                                       |

---

|                                       |                                                                            |
|---------------------------------------|----------------------------------------------------------------------------|
| Maximum User Ports .....              | > 475,000 ports depending on configuration                                 |
| Buffer Credits .....                  | 12 buffer credits per port                                                 |
| Media Type .....                      | Small Form Pluggable (SFP) optical transceivers. Hot swappable. 3.3 Volts. |
| Fabric Port Speed .....               | 1.0625 or 2.125 Gigabits/second                                            |
| Maximum Frame Size .....              | 2148 bytes (2112 byte payload)                                             |
| System Processor.....                 | 266 MHz Pentium® processor                                                 |
| Fabric Latency (best case) .....      | <0.4 µsec.                                                                 |
| Fabric Point-to-Point Bandwidth ..... | 212 or 424 MB/s full duplex                                                |
| Fabric Aggregate Bandwidth .....      | 64 Gb/s for a single switch                                                |

**A.2**  
**Switch Maintainability**

|                            |                                                                                    |
|----------------------------|------------------------------------------------------------------------------------|
| Maintenance Strategy ..... | Field Replaceable Units<br>SFP transceivers<br>Power supplies<br>Fans              |
| Diagnostics .....          | Power On Self Test (POST) tests all functional components except SFP transceivers. |
| User Interface .....       | LED indicators                                                                     |

A.3

**Fabric Management**

|                              |                                                                                                                                                                                     |
|------------------------------|-------------------------------------------------------------------------------------------------------------------------------------------------------------------------------------|
| Management Methods .....     | SANbox Manager application<br>Command Line Interface<br>GS-3 Management Server<br>SNMP<br>FTP                                                                                       |
| Maintenance Connection ..... | RS-232 connector; null modem F/F DB9 cable                                                                                                                                          |
| Ethernet Connection .....    | RJ-45 connector; 10/100BASE T cable                                                                                                                                                 |
| Switch Agent.....            | Allows a network management station to obtain configuration values, traffic information, and failure data pertaining to the Fibre Channels via SNMP through the Ethernet interface. |

A.4

**Switch Dimensions**

|              |                            |
|--------------|----------------------------|
| Width.....   | 17.0” (19 inch rack mount) |
| Height ..... | 1.75”                      |
| Depth .....  | 18.0”                      |
| Weight.....  | 18 lbs                     |

A.5

**Switch Electrical**

|                             |                                                                          |
|-----------------------------|--------------------------------------------------------------------------|
| Power source loading .....  | 1.9 Amps maximum at 90 to 137 Vac<br>0.95 Amps maximum at 180 to 265 Vac |
| Heat Output (maximum) ..... | 170 watts                                                                |
| Operating voltage .....     | 90 to 137 Vac; 47 to 63 Hz<br>180 to 265 Vac; 47 to 63 Hz                |
| Circuit Protection .....    | Internally fused                                                         |

**A.6**  
**Switch Environmental**

|                       |                                                                           |
|-----------------------|---------------------------------------------------------------------------|
| Temperature           |                                                                           |
| ■ Operating .....     | 10 to 40°C (50 to 104°F)                                                  |
| ■ Non-operating ..... | -40 to 65°C (-40 to 149°F)                                                |
| Humidity              |                                                                           |
| ■ Operating .....     | 25% to 80%, non-condensing                                                |
| ■ Non-operating ..... | 25% to 90%, non-condensing                                                |
| Altitude              |                                                                           |
| ■ Operating .....     | 0 to 3048m (0 to 10,000 feet)                                             |
| ■ Non-operating ..... | 0 to 15,240m (0 to 50,000 feet)                                           |
| Vibration             | Magnitude during/after along any axis                                     |
| ■ Operating .....     | 2.54 mm (.1); 5 - 14 Hz<br>0.1G; 14-300 Hz                                |
| ■ Non-operating ..... | 5 - 500 Hz, random<br>2.09 G rms, 10 minutes                              |
| Shock                 | Magnitude during/after along any axis                                     |
| ■ Operating .....     | 1 g for 15 msec                                                           |
| ■ Non-operating ..... | 8 g for 15 msec                                                           |
| Air flow .....        | Two fans; front-to-back or back-to-front<br>depending on the switch model |

**A.7**  
**Switch Regulatory Certifications**

|                            |                                                                                    |
|----------------------------|------------------------------------------------------------------------------------|
| Safety Standards .....     | UL1950,CSA 22.2 No. 950,EN60950                                                    |
| Emissions Standards .....  | FCC Part 15B Class A<br>VCCI Class A ITE<br>CISPR 22, Class A<br>EN 55022, Class A |
| Voltage Fluctuations ..... | EN 61000-3-3                                                                       |
| Harmonics.....             | EN 61000-3-2                                                                       |
| Immunity .....             | EN 55024:1998                                                                      |
| Marking .....              | FCC Part 15,UL (United States), cUL<br>(Canada), TUV, VCCI, CE                     |

A.8

**Shortwave Laser SFP 1G/2G (multi-mode)**

|                            |                                                                                                             |
|----------------------------|-------------------------------------------------------------------------------------------------------------|
| Connector .....            | Duplex LC                                                                                                   |
| Color coding.....          | Beige or black exposed connector surfaces                                                                   |
| Cable .....                | Fibre Channel 100-M6-SN-I (50 µm multimode)<br>Fibre Channel 200-M5-SN-I or 200-M6-SN-I (62.5 µm multimode) |
| Wavelength.....            | 830 - 860 nm                                                                                                |
| Transmit Power.....        | -10 dBm minimum                                                                                             |
| Receiver Sensitivity ..... | -16 dBm average                                                                                             |
| Distance.....              | 500 meters maximum using 50 micron fiber<br>300 meters maximum using 62.5 micron fiber                      |
| Safety.....                | DHHS 21 CFR(J), IEC 825-1<br>CENELEC EN 60825-1, VDE                                                        |
| Standard .....             | Small Form-Factor Pluggable Multisource Agreement                                                           |

---

**A.9**  
**Longwave Laser SFP 1G/2G (single-mode)**

|                            |                                                      |
|----------------------------|------------------------------------------------------|
| Connector .....            | Duplex LC                                            |
| Color coding.....          | Blue exposed connector surfaces                      |
| Cable .....                | Fibre Channel 100SM-LC-L (9 µm single mode)          |
| Wavelength.....            | 1270 - 13.5 nm                                       |
| Transmit Power.....        | -10 dBm minimum                                      |
| Receiver Sensitivity ..... | -20 dBm average                                      |
| Distance.....              | 2 meters to 10 kilometers                            |
| Safety.....                | DHHS 21 CFR(J), IEC 825-1<br>CENELEC EN 60825-1, VDE |
| Standard .....             | Small Form-Factor Pluggable Multisource Agreement    |



## Appendix B

# Command Line Interface

Each switch contains a Telnet server. This server allows a Telnet client to establish a Telnet session with the switch to retrieve information or to configure parameters using the Command Line Interface (CLI). The CLI enables you to perform a variety of fabric and switch management tasks through an Ethernet or a serial port connection.

### B.1

## Logging On to a Switch

To log on to a switch using Telnet, open a command line window on the management workstation and enter the Telnet command followed by the switch IP address:

```
/> telnet 123.45.67.89
```

A Telnet window opens prompting you for a login. Enter an account name and password. Switches come from the factory with the following user account already defined:

```
Account name: admin
Password: password
Authority: Admin
```

This user account provides full access to the switch and its configuration. After planning your fabric management needs and creating your own user accounts, consider changing the password for this account. Refer to ["Commands" on page B-3](#) for more information about authority levels. Refer to the ["User Command" on page B-67](#) for information about creating user accounts.

**Note:** A switch supports a combined maximum of 15 logins. This includes SANbox Manager inband and out-of-band logins, Application Programming Interface (API) inband and out-of-band logins and Telnet logins. Of this 15, there can be a combined maximum of 10 SANbox Manager and API logins. Additional logins will be refused.

---

**B.2**  
**Command Syntax**

The command syntax is as follows:

```
command  
  keyword  
  keyword [value]  
  keyword [value1] [value2]
```

The **Command** is followed by one or more keywords. Consider the following rules and conventions:

- Commands and keywords are lowercase and case sensitive.
- Commands with keywords require one of those keywords.
- Required keyword values appear in standard font: [value]. Optional values are shown in italics: *[value]*.
- Underlined portions of the keyword in the command format indicate the abbreviated form that can be used. For example the Del~~ete~~ keyword can be abbreviated Del.

### B.3 Commands

The command set provides for User and Admin authority levels.

- User authority grants viewing access to the fabric and switches using the Show command and other read-only commands.
- Admin authority includes the User authority and grants permission to use the Admin command. The Admin Start command opens an admin session which provides access to the commands that change switch and fabric configurations. Refer to the ["Admin Command" on page B-4](#).

**Note:** Admin authority is enforced only if fabric security is enabled. By default, fabric security is disabled. Refer to ["Set Setup Command" on page B-38](#) (System keyword) for more about setting fabric security.

The commands and their page numbers are listed by authority level in [Table B-1](#).

**Table B-1. Commands Listed by Authority Level**

| User Authority Commands | Admin Authority Command       |                           |
|-------------------------|-------------------------------|---------------------------|
| Help (B-11)             | Admin (B-4)                   |                           |
| History (B-12)          | <b>Admin Session Commands</b> |                           |
| Ping (B-16)             |                               |                           |
| Ps (B-17)               |                               |                           |
| Quit (B-18)             |                               |                           |
| Show (B-43)             |                               |                           |
| Show Config (B-53)      |                               |                           |
| Show Log (B-56)         |                               |                           |
| Show Perf (B-58)        |                               |                           |
| Show Setup (B-60)       |                               |                           |
| Uptime (B-66)           |                               |                           |
| Whoami (B-69)           |                               |                           |
|                         |                               | Alias <sup>1</sup> (B-5)  |
|                         |                               | Config <sup>1</sup> (B-7) |
|                         |                               | Date <sup>1</sup> (B-9)   |
|                         | Fallback (B-10)               |                           |
|                         | Image (B-13)                  |                           |
|                         | Lip (B-14)                    |                           |
|                         | Passwd (B-15)                 |                           |
|                         | Reset (B-19)                  |                           |
|                         | Set <sup>1</sup> (B-24)       |                           |
|                         | Set Config (B-26)             |                           |
|                         | Set Log (B-34)                |                           |
|                         | Set Port (B-37)               |                           |
|                         | Set Setup (B-38)              |                           |
|                         | Shutdown (B-62)               |                           |
|                         | Test (B-63)                   |                           |
|                         | User <sup>1</sup> (B-67)      |                           |
|                         | Zone <sup>1</sup> (B-70)      |                           |
|                         | Zoneset <sup>1</sup> (B-74)   |                           |
|                         | Zoning <sup>1</sup> (B-77)    |                           |

<sup>1</sup>Some keywords are available with User authority.

---

## Admin Command

Opens and closes an Admin session. The Admin session provides commands that change the fabric and switch configurations. Only one Admin session can be open on the switch at any time. An inactive Admin session will time out after a period of time which can be changed using the Set Setup System command. Refer to the ["Set Setup Command" on page B-38](#).

**Authority** Admin

**Syntax** **admin**  
start (or begin)  
end (stop)  
cancel

**Keywords** **start (or begin)**  
Opens the admin session.

**end (or stop)**  
Closes the admin session. The Logout, Shutdown, and Reset Switch commands will also end an admin session.

**cancel**  
Terminates an Admin session opened by another user. Use this keyword with care because it terminates the Admin session without warning the other user and without saving pending changes.

**Notes** Closing a Telnet window during an admin session does not release the session. In this case, you must either wait for the admin session to time out, or use the Admin Cancel command.

**Examples** The following example shows how to open and close an Admin session:

```
SANbox2 #> admin start

SANbox2 (admin) #>

.

.

.

SANbox2 (admin) #> admin end
```

## Alias Command

Creates a named set of ports/devices. Aliases make it easier to assign a set of ports/devices to many zones. An alias can not have a zone or another alias as a member.

**Authority** Admin

**Syntax** **alias**  
 add [alias] [members]  
 copy [alias\_source] [alias\_destination]  
 create [alias]  
 delete [alias]  
 list  
 members [alias]  
 remove [alias] [members]  
 rename [alias\_old] [alias\_new]

**Keywords** **add [alias] [members]**  
 Specifies one or more ports/devices given by [members] to add to the alias named [alias]. An alias can have a maximum of 2000 members. [members] can have one of the following formats:

- Domain ID and port number pair (Domain ID, Port Number). Domain IDs and port numbers are in decimal. Ports are numbered beginning with 0.
- 6-character hexadecimal device Fibre Channel address (hex)
- 16-character hexadecimal worldwide port name (WWPN) with the format xx:xx:xx:xx:xx:xx:xx:xx.

The application verifies that the [alias] format is correct, but does not validate that such a port/device exists.

**copy [alias\_source] [alias\_destination]**  
 Creates a new alias named [alias\_destination] and copies the membership into it from the alias given by [alias\_source].

**create [alias]**  
 Creates an alias with the name given by [alias]. An alias name must begin with a letter and be no longer than 64 characters. Valid characters are 0-9, A-Z, a-z, \_, and -. The zoning database supports a maximum of 256 aliases.

**delete [alias]**  
 Deletes the specified alias given by [alias] from the zoning database. If the alias is a member of the active zone set, the alias will not be removed from the active zone set until the active zone set is deactivated.

**list**  
 Displays a list of all aliases. This keyword is valid for User authority and does not require a zoning edit session or an admin session.

---

**members [alias]**

Displays all members of the alias given by [alias]. This keyword is available with User authority and does not require a zoning edit session or an admin session.

**remove [alias] [members]**

Removes the ports/devices given by [members] from the alias given by [alias]. [members] can have one of the following formats:

- Domain ID and port number pair (Domain ID, Port Number). Domain IDs and port numbers are in decimal. Ports are numbered beginning with 0.
- 6-character hexadecimal device Fibre Channel address (hex)
- 16-character hexadecimal worldwide port name (WWPN) for the device with the format xx:xx:xx:xx:xx:xx:xx:xx.

**rename [alias\_old] [alias\_new]**

Renames the alias given by [alias\_old] to the alias given by [alias\_new].

## Config Command

Manages the Fibre Channel configurations on a switch. For information about setting the port and switch configurations, refer to the ["Set Config Command" on page B-26](#).

**Authority** Admin for all keywords except List

**Syntax** **config**  
**activate** [*config*]  
backup  
cancel  
copy [*config\_source*] [*config\_destination*]  
**delete** [*config*]  
**edit** [*config*]  
list  
restore  
save [*config*]

**Keywords** **activate** [*config*]  
Activates the configuration given by [*config*]. If you omit the configuration, the currently active configuration is used. Only one configuration can be active at a time.

**backup**  
Creates a file named *configdata*, which contains the system configuration information. To download this file, open an FTP session, log in with account name/password of "images" for both, and type "get configdata".

**cancel**  
Terminates the current configuration edit session without saving changes that were made.

**copy** [*config\_source*] [*config\_destination*]  
Copies the configuration given by [*config\_source*] to the configuration given by [*config\_destination*]. The switch supports up to 10 configurations including the default configuration.

**delete** [*config*]  
Deletes the specified configuration file where [*config*] is a file name.

**edit** [*config*]  
Opens an edit session for the configuration given by [*config*]. If you omit the configuration name, the currently active configuration is used.

**list**  
Displays a list of all available configurations. This keyword is available with User authority.

---

### **restore**

Restores configuration settings to an out-of-band switch from a backup file named *configdata*, which must be first uploaded on the switch using FTP. You create the backup file using the Config Backup command. Use FTP to load the backup file on a switch, then enter the Config Restore command.

**Note:** Configuration archive files created with the SANbox Manager Archive function are not compatible with the Config Restore command.

### **save [config]**

Saves changes made during a configuration edit session in the configuration given by [config]. If you omit the configuration name value, the configuration you chose for the Config Edit command is used. The switch supports up to 10 configurations including the default configuration.

### **Notes**

If you edit the active configuration, changes will be held in suspense until you reactivate the configuration or activate another configuration.

### **Examples**

The following shows an example of how to open and close a Config Edit session:

```
SANbox2 #> admin start

SANbox2 (admin) #> config edit
.
.
.

SANbox2 (admin-config) #> config cancel

Configuration mode will be canceled. Please confirm (y/n): [n] y

SANbox2 (admin) #> admin end
```



## Date Command

This command displays or sets the system date and time. To set the date and time the information string must be provided in this format: MMDDhhmmCCYY. The new date and time takes effect immediately.

**Authority** Admin to change the date; User to display the date.

**Syntax** **date**  
*[MMDDhhmmCCYY]*

**Keywords** **[MMDDhhmmCCYY]**  
Specifies the date – this requires an admin session. If you omit [MMDDhhmmCCYY], the current date is displayed – this is available with User authority.

**Examples** The following is an example of the Date command:

```
SANbox2 #> date  
Mon Apr 07 07:51:24 2003
```

---

## Fallback Command

Loads the fallback version of the firmware from switch memory. The switch stores two versions of the firmware. This command alternately activates the two versions.

**Authority** Admin

**Syntax** **fallback**

- Notes**
- The Show Switch command displays the available firmware versions and the currently active version.
  - After executing the Fallback command, reset the switch for the firmware to be placed in effect.

**Examples** The following is an example of the Fallback command:

```
SANbox2 #> admin start
```

```
SANbox2 (admin) #> fallback
```

```
Reverting to previous software image. Please confirm (y/n): [n] y
```

```
SANbox2 #> admin end
```

## Help Command

Displays a brief description of the specified command and its keywords.

**Authority** User

**Syntax** **help [command] [keyword]**

**Keywords** **[command]**

Displays a summary of the command given by [command] and its keywords. If you omit [command], the system displays all available commands from which to choose.

**[keyword]**

Displays a summary of the keyword given by [keyword] belonging to the command given by [command]. If you omit [keyword], the system displays the available keywords for the specified command.

**all**

Displays a list of all available commands (including command variations).

**Examples** The following is an example of the Help Set command:

```
SANbox2 #> help set
```

```
set SET_OPTIONS
```

```
There are many attributes that can be set.
```

```
Type help with one of the following to get more information:
```

```
set alarm
set beacon
set blade
set config blade
set config port
set config ports
set config switch
set config threshold
set config zoning
set log
set pagebreak
set port
set setup snmp
set setup system
set switch
```

The following is an example of the Help Set Beacon command:

```
SANbox2 #> help set beacon
```

```
set beacon On | Off
```

```
This command allows the LEDs on the front of the switch to flash.
```

```
The On option will start and the Off option will stop the flashing.
```

---

## History Command

Displays a numbered list of the previously entered commands from which you can re-execute selected commands.

**Authority** User

**Syntax** **history**

**Notes** Use the History command to provide context for the ! command:

- Enter ![command] to re-enter the most recent execution of that command.
- Enter ![line number] to re-execute the corresponding command from the History display
- Enter ![partial command string] to re-execute a command that matches the command string.
- Enter !! to re-execute the most recent command.

**Examples** The following is an example of the History command:

```
SANbox2 #> history
  1 show switch
  2 date
  3 help set
  4 history

SANbox2 #> !3
help set

set SET_OPTIONS
There are many attributes that can be set.
Type help with one of the following to get more information:
  set alarm
  set beacon
  set blade
  set config blade
  set config port
  set config ports
  set config switch
  set config threshold
  set config zoning
  set log
  set pagebreak
  set port
  set setup snmp
  set setup system
  set switch
```

---

## Image Command

Manages and installs switch firmware.

**Authority** Admin

**Syntax** **image**  
cleanup  
fetch [account\_name] [ip\_address] [file\_source] [file\_destination]  
list  
unpack [file]

**Keywords** **cleanup**

Removes all firmware image files from the switch. All firmware image files are removed automatically each time the switch is reset.

**fetch [account\_name] [ip\_address] [file\_source] [file\_destination]**

Retrieves image file given by [file\_source] and stores it on the switch with the file name given by [file\_destination]. The image file is retrieved from the device with the IP address given by [ip\_address] and an account name given by [account\_name]. If an account name needs a password to access the device, the system will prompt you for it.

**list**

Displays the list of image files that reside on the switch.

**unpack [file]**

Installs the firmware file given by [file]. After unpacking the file, a message appears confirming successful unpacking. The switch must be reset for the new firmware to take effect.

**Notes** To provide consistent performance throughout the fabric, ensure that all switches are running the same version of firmware.

---

## Lip Command

Reinitializes the specified loop port.

**Authority** Admin

**Syntax** lip [port\_number]

**Keywords** [port\_number]  
The number of the port to be reinitialized.

**Examples** The following is an example of the Lip command:

```
SANbox2 (admin) #> lip 2
```

## Passwd Command

Changes a user account's password.

**Authority** Admin to change another account's password; User to change your own.

**Syntax** `passwd [account_name]`

**Keywords** `[account_name]`

The user account name. You must open an admin session to change the password for an account name other than your own. If you omit `[account_name]`, you will be prompted to change the password for the current account name.

**Examples** The following is an example of the Passwd command:

```
SANbox2 (admin) #> passwd user2
```

```
Press 'q' and the ENTER key to abort this command.
```

```
account OLD password          :  
account NEW password (4-20 chars) :
```

```
please confirm account NEW password:  
password has been changed.
```

---

## Ping Command

Initiates an attempt to communicate with another switch in the fabric and reports the result.

**Authority** User

**Syntax** ping  
ip\_address

**Keywords** ip\_address  
The IP address of the switch to query.

**Examples** The following is an example of a successful Ping command:

```
SANbox2 #> ping 10.20.11.57
Ping command issued. Waiting for response...
SANbox2 #>
Response successfully received from 10.20.11.57.
```

This following is an example of an unsuccessful Ping command:

```
SANbox2 #> ping 10.20.10.100
Ping command issued. Waiting for response...
Alarm Msg: [day month date time year][A4101][0xdd0090e8.289][cmon: unable to send ping to IP address 10.20.10.100]
No response from 10.20.10.100. Unreachable.
```



## Ps Command

Displays current system process information.

**Authority** User

**Syntax** ps

**Examples** The following is an example of the Ps command:

```
SANbox2 #> ps
PID  PPID  %CPU   TIME    ELAPSED  COMMAND
298   292   0.0   00:00:00  59:42    cns
299   292   0.0   00:00:00  59:42    ens
300   292   0.0   00:00:00  59:42    dlog
301   292   0.3   00:00:53  59:42    ds
302   292   0.2   00:00:29  59:42    mgmtApp
303   292   0.0   00:00:02  59:42    nserver
304   292   0.0   00:00:00  59:42    mserver
305   292   0.1   00:00:15  59:42    util
306   292   0.0   00:00:04  59:42    eport
307   292   1.2   00:02:53  59:41    PortApp
308   292   0.0   00:00:01  59:41    zoning
309   292   0.0   00:00:00  59:41    diagApp
```

---

## Quit Command

Closes the Telnet session.

**Authority** User

**Syntax** **quit, exit, or logout**

## Reset Command

Resets the switch configuration parameters.

**Authority** Admin

**Syntax** **reset**  
 config [*config\_name*]  
 factory  
 port [*port\_number*]  
 snmp  
 switch (default)  
 system  
 zoning

**Keywords** **config [*config\_name*]**

Resets the configuration given by [*config\_name*] to the factory default values for switch, port, alarm threshold, and zoning configuration. This keyword clears all zoning definitions. If [*config\_name*] does not exist on the switch, a configuration with that name will be created. If you omit [*config\_name*], the active configuration is reset. You must activate the configuration or reset the switch for the changes to take effect. Refer to [Table B-2](#) through [Table B-4](#) for switch, port, and alarm threshold configuration default values.

### **factory**

Resets switch, alarm threshold, zoning, SNMP, zoning configuration, and system configuration settings to the factory default values. The switch configuration is activated automatically. Refer to [Table B-2](#) through [Table B-6](#).

### **port [*port\_number*]**

Reinitializes the port given by [*port\_number*]. Ports are numbered beginning with 0.

### **snmp**

Resets the SNMP configuration settings to the factory default values. Refer to [Table B-5](#) for SNMP configuration default values.

### **switch**

Reinitializes the switch. This is the default. This command also closes the Telnet session.

### **system**

Resets the system configuration settings to the factory default values. Refer to [Table B-6](#) for system configuration default values.

### **zoning**

Clears the zoning database and deactivates the active zone set. The zoning configuration values (autosave, default visibility) remain unchanged.

**Notes** The following tables specify the various factory default settings:

**Table B-2. Switch Configuration Defaults**

| Parameter                   | Default   |
|-----------------------------|-----------|
| Admin State                 | Online    |
| Broadcast Enabled           | True      |
| InbandEnabled               | True      |
| Domain ID                   | 1         |
| Domain ID Lock              | False     |
| Symbolic Name               | SANbox2   |
| R_T_TOV                     | 100       |
| R_A_TOV                     | 10000     |
| E_D_TOV                     | 2000      |
| FS_TOV                      | 5000      |
| DS_TOV                      | 5000      |
| Principal Priority          | 254       |
| Configuration Description   | Undefined |
| Configuration Last Saved By | Initial   |
| Configuration Last Saved On | Initial   |

**Table B-3. Port Configuration Defaults**

| Parameter         | Default |
|-------------------|---------|
| Admin State       | Online  |
| Link Speed        | Auto    |
| Port Type         | GL      |
| ISL Security      | Any     |
| Symbolic Name     | Port    |
| ALFairness        | False   |
| DeviceScanEnabled | True    |
| ForceOfflineRSCN  | False   |
| ARB_FF            | False   |

**Table B-3. Port Configuration Defaults (Continued)**

| Parameter     | Default  |
|---------------|----------|
| InteropCredit | 0        |
| ExtCredit     | 0        |
| FANEnable     | True     |
| LCFEnable     | False    |
| MFSEnable     | True     |
| MFS_TOV       | 10       |
| MSEnable      | True     |
| NoClose       | False    |
| IOStreamGuard | Disabled |
| VIEnable      | False    |
| CheckAlps     | False    |

**Table B-4. Alarm Threshold Configuration Defaults**

| Parameter                     | Default |
|-------------------------------|---------|
| ThresholdMonitoringEnabled    | False   |
| CRCErrorsMonitoringEnabled    | True    |
| RisingTrigger                 | 25      |
| FallingTrigger                | 1       |
| SampleWindow                  | 10      |
| DecodeErrorsMonitoringEnabled | True    |
| RisingTrigger                 | 25      |
| FallingTrigger                | 0       |
| SampleWindow                  | 10      |
| ISLMonitoringEnabled          | True    |
| RisingTrigger                 | 2       |
| FallingTrigger                | 0       |
| SampleWindow                  | 10      |
| LoginMonitoringEnabled        | True    |
| RisingTrigger                 | 5       |
| FallingTrigger                | 1       |
| SampleWindow                  | 10      |

**Table B-4. Alarm Threshold Configuration Defaults (Continued)**

| Parameter               | Default |
|-------------------------|---------|
| LogoutMonitoringEnabled | True    |
| RisingTrigger           | 5       |
| FallingTrigger          | 1       |
| SampleWindow            | 10      |
| LOSMonitoringEnabled    | True    |
| RisingTrigger           | 100     |
| FallingTrigger          | 5       |
| SampleWindow            | 10      |

**Table B-5. SNMP Configuration Defaults**

| Parameter           | Default                                  |
|---------------------|------------------------------------------|
| Contact             | Undefined                                |
| Location            | Undefined                                |
| Description         | QLogic SANbox2 FC Switch                 |
| Trap [1-5] Address  | Trap 1: 10.0.0.254; Traps 2–5: 0.0.0.0   |
| Trap [1-5] Port     | Undefined                                |
| Trap [1-5] Severity | Warning                                  |
| Trap [1-5] Version  | 2                                        |
| Trap [1-5] Enabled  | False                                    |
| ObjectID            | 1.3.6.1.4.1.1663.1.1.1.1.11 (SANbox2-16) |
| AuthFailureTrap     | False                                    |
| ProxyEnabled        | True                                     |

**Table B-6. System Configuration Defaults**

| <b>Parameter</b>            | <b>Default</b> |
|-----------------------------|----------------|
| Ethernet Network Discovery  | Static         |
| Ethernet Network IP Address | 10.0.0.1       |
| Ethernet Network IP Mask    | 255.0.0.0      |
| Ethernet Gateway Address    | 10.0.0.254     |
| Admin Timeout               | 30 minutes     |
| SecurityEnabled             | False          |
| LocalLogEnabled             | True           |
| RemotelogEnabled            | False          |
| RemoteLogHostAddress        | 10.0.0.254     |

---

## Set Command

Sets a variety of switch parameters.

**Authority** Admin for all keywords except Alarm Clear, Beacon, and Pagebreak which are available with User authority.

**Syntax** **set**  
alarm clear  
beacon [state]  
config [option]  
log [option]  
pagebreak [state]  
port [option]  
setup [option]  
switch [state]

**Keywords** **alarm clear**  
Clears the alarm log. This keyword is available with User authority.

**beacon [state]**  
Enables or disables the flashing of the Logged-In LEDs according to [state]. This keyword is available with User authority. [state] can be one of the following:

on  
Enables the flashing beacon.

off  
Disables the flashing beacon.

**config [option]**  
Sets switch, port, alarm threshold, and zoning configuration parameters. Refer to the ["Set Config Command" on page B-26](#).

**log [option]**  
Specifies the type of entries to be entered in the event log. Refer to the ["Set Log Command" on page B-34](#).

**pagebreak [state]**  
Specifies how much information is displayed on the screen at a time according to the value given by [state]. This keyword is available with User authority. [state] can be one of the following:

on  
Limits the display of information to 20 lines at a time. The page break functions affects the following commands: Alias (List, Members), Show (Alarm, Log), Zone (List, Members), Zoneset (List, Zones), Zoning (Active, List).

off  
Allows continuous display of information without a break.



**port [option]**

Sets port state and speed for the specified port temporarily until the next switch reset or new configuration activation. Refer to the ["Set Port Command" on page B-37](#).

**setup [option]**

Changes SNMP and system configuration settings. Refer to the ["Set Setup Command" on page B-38](#).

**switch [state]**

Temporarily changes the administrative state for all ports on the switch to the state given by [state]. The previous Set Config Switch settings are restored after a switch reset or a reactivation of a switch configuration. [state] can be one of the following:

online

Places all ports online

offline

Places all ports offline.

diagnostics

Prepares all ports for testing.

**Examples** The following examples enables and disables the beacon:

```
SANbox2 #> set beacon on
```

```
Command succeeded.
```

```
SANbox2 $> set beacon off
```

```
Command succeeded.
```

## Set Config Command

Sets switch, port, alarm threshold, and zoning configuration parameters.

**Authority** Admin authority and a Config Edit session

**Syntax** **set config**  
     port *[port\_number]*  
     ports *[port\_number]*  
     switch  
     threshold  
     zoning

**Keywords** **port *[port\_number]***  
 Initiates an edit session in which to change configuration parameters for the port number given by *[port\_number]*. If you omit *[port\_number]*, the system begins with port 0 and proceeds in order through the last port. For each parameter, enter a new value or press the Enter key to accept the current value shown in brackets. Enter “q” to cancel the configuration for one port, or “qq” to cancel the configuration for all ports. [Table B-7](#) describes the port parameters.

**ports *[port\_number]***  
 Initiates an editing session in which to change configuration parameters for all ports based on the configuration for the port given by *[port\_number]*. If you omit *[port\_number]*, port 0 is used. For each parameter, enter a new value or press the Enter key to accept the current value shown in brackets. Enter “q” to cancel the configuration. [Table B-7](#) describes the port parameters.

**Table B-7. Set Config Port Parameters**

| Parameter        | Description                                                                                                                                                                                                                                                                             |
|------------------|-----------------------------------------------------------------------------------------------------------------------------------------------------------------------------------------------------------------------------------------------------------------------------------------|
| AdminState       | Port administrative state: online, offline, diagnostics, or down.                                                                                                                                                                                                                       |
| LinkSpeed        | 1Gb/sec, 2 Gb/sec, or Auto                                                                                                                                                                                                                                                              |
| PortType         | Type of port                                                                                                                                                                                                                                                                            |
| ISLSecurity      | E_Port security. Determines which switches a port will establish a link with. <ul style="list-style-type: none"> <li>■ Any - link with any FC-SW-2 compliant switch.</li> <li>■ Ours - link only with an FC-SW-2 compliant QLogic switch.</li> <li>■ None - reject the link.</li> </ul> |
| SymbolicPortName | Descriptive name                                                                                                                                                                                                                                                                        |
| ALFairness       | Arbitration loop fairness. Enables (True) or disables (False) the switch’s priority to arbitrate on the loop.                                                                                                                                                                           |

**Table B-7. Set Config Port Parameters (Continued)**

| Parameter         | Description                                                                                                                                                                                                                                                                     |
|-------------------|---------------------------------------------------------------------------------------------------------------------------------------------------------------------------------------------------------------------------------------------------------------------------------|
| DeviceScanEnabled | Enables (True) or disables (False) the scanning of the connected device for FC-4 descriptor information during login. The default is True.                                                                                                                                      |
| ForceOfflineRSCN  | Enables (False) or disables (True) the immediate transmission of RSCN messages when communication between a port and its device is interrupted. If enabled, the RSCN message is queued for 200 ms. The default is False. This parameter is ignored if IOStreamGuard is enabled. |
| ARB_FF            | Use ARB_FF instead of idles on loop FCAL option                                                                                                                                                                                                                                 |
| InteropCredit     | Interoperability credit. The number of buffer-to-buffer credits per port. 0 means the default (12) is unchanged.                                                                                                                                                                |
| ExtCredit         | Extended credits. The number of port buffer credits that this port can acquire from donor ports.                                                                                                                                                                                |
| FANEnable         | Fabric address notification. Enables (True) or disables (False) the communication of the FL_Port address, port name, and node name to the logged-in NL_Port.                                                                                                                    |
| LCFEnable         | Link control frame preference, R_CTL = 0xC                                                                                                                                                                                                                                      |
| MFS_TOV           | MFS limit for camp on                                                                                                                                                                                                                                                           |
| MFSEnable         | Multi-Frame Sequence bundling                                                                                                                                                                                                                                                   |
| MSEnable          | Management Server enable on this port                                                                                                                                                                                                                                           |
| NoClose           | Don't close unless another device arbitrates                                                                                                                                                                                                                                    |
| IOStreamGuard     | Enables or disables the suppression of RSCN messages                                                                                                                                                                                                                            |
| VIEnable          | Enable VI preference routing                                                                                                                                                                                                                                                    |
| CheckAlps         | Close before sending frames to new target                                                                                                                                                                                                                                       |

**switch**

Initiates an editing session in which to change switch configuration settings. The system displays each parameter one line at a time and prompts you for a value. For each parameter, enter a new value or press the Enter key to accept the current value shown in brackets.

**Table B-8. Set Config Switch Parameters**

| Parameter         | Description                                                                                                                                                               |
|-------------------|---------------------------------------------------------------------------------------------------------------------------------------------------------------------------|
| AdminState        | Switch administrative state: online, offline, or diagnostics                                                                                                              |
| BroadcastEnabled  | Enables (True) or disables (False) forwarding of broadcast frames.                                                                                                        |
| InbandEnabled     | Enables (True) or disables (False) the ability to manage the switch over an ISL.                                                                                          |
| DefaultDomainID   | Default domain ID setting                                                                                                                                                 |
| DomainIDLock      | Prevents (True) or allows (False) dynamic reassignment of the domain ID.                                                                                                  |
| SymbolicName      | Descriptive name                                                                                                                                                          |
| R_T_TOV           | Receiver Transmitter Timeout Value. Specifies the number of milliseconds a port is to wait to receive a response from another port. The default is 100.                   |
| R_A_TOV           | Resource Allocation Timeout Value. The number of milliseconds the switch waits to allow two ports to allocate enough resources to establish a link. The default is 10000. |
| E_D_TOV           | Error Detect Timeout Value. The number of milliseconds a port is to wait for errors to clear. The default is 2000.                                                        |
| FS_TOV            | Fabric Stability Timeout Value. The default is 5000 msec.                                                                                                                 |
| DS_TOV            | Distributed Services Timeout Value (Management Server, Name Server). The default is 5000 msec.                                                                            |
| PrincipalPriority | The priority used in the FC-SW-2 principal switch selection algorithm. 1 is high, 255 is low.                                                                             |
| ConfigDescription | The name for the configuration. The default is undefined.                                                                                                                 |

**threshold**

Initiates a configuration session by which to generate and log alarms for selected events. The system displays each event, its thresholds, and sampling interval one line at a time and prompts you for a value. For each parameter, enter a new value or press the Enter key to accept the current value shown in brackets. These parameters must be saved in a configuration and activated before they will take effect. Refer to the ["Config Command" on page B-7](#) for information about saving and activating a configuration. [Table B-9](#) describes the Set Config Threshold parameters. The switch will down a port if an alarm condition is not cleared within three consecutive sampling intervals (by default 30 seconds). An alarm is cleared when the threshold monitoring detects that the error rate has fallen below the falling threshold.

**Table B-9. Set Config Threshold Parameters**

| Parameter                                                                                                                                                        | Description                                                                                                                                                                                                                                                                                                                                      |
|------------------------------------------------------------------------------------------------------------------------------------------------------------------|--------------------------------------------------------------------------------------------------------------------------------------------------------------------------------------------------------------------------------------------------------------------------------------------------------------------------------------------------|
| Threshold Monitoring Enabled                                                                                                                                     | Master enable/disable parameter for all events. Enables (True) or disables (False) the generation of all enabled event alarms. The default is False.                                                                                                                                                                                             |
| CRCErrorsMonitoringEnabled<br>DecodeErrorsMonitoringEnabled<br>ISLMonitoringEnabled<br>LoginMonitoringEnabled<br>LogoutMonitoringEnabled<br>LOSMonitoringEnabled | The event type enable/disable parameter. Enables (True) or disables (False) the generation of alarms for each of the following events: <ul style="list-style-type: none"> <li>■ CRC errors</li> <li>■ Decode errors</li> <li>■ ISL connection count</li> <li>■ Login errors</li> <li>■ Logout errors</li> <li>■ Loss-of-signal errors</li> </ul> |
| Rising Trigger                                                                                                                                                   | The event count above which a rising threshold alarm is logged. The switch will not generate another rising threshold alarm for that event until the count descends below the falling threshold and again exceeds the rising threshold.                                                                                                          |
| Falling Trigger                                                                                                                                                  | The event count below which a falling threshold alarm is logged. The switch will not generate another falling threshold alarm for that event until the count exceeds the rising threshold and descends again below the falling threshold.                                                                                                        |
| Sample Window                                                                                                                                                    | The period of time in seconds in which to count events.                                                                                                                                                                                                                                                                                          |

### zoning

Initiates an editing session in which to change switch zoning attributes. The system displays each parameter one line at a time and prompts you for a value. For each parameter, enter a new value or press the Enter key to accept the current value shown in brackets.

**Table B-10. Set Config Zoning Parameters**

| Parameter | Description                                                                                                                                                              |
|-----------|--------------------------------------------------------------------------------------------------------------------------------------------------------------------------|
| AutoSave  | Enables (True) or disables (False) the saving of changes to active zone set in the switch's permanent memory. Changes are always saved in the switch's temporary memory. |
| Default   | Enables (All) or disables (None) communication among the switch's ports/devices and the fabric in the absence of an active zone set.                                     |

### Examples

The following is an example of the Set Config Port command:

```
SANbox2 #> admin start
SANbox2 (admin) #> config edit
SANbox2 (admin-config) #> set config port 1
```

A list of attributes with formatting and current values will follow.  
Enter a new value or simply press the ENTER key to accept the current value.  
If you wish to terminate this process before reaching the end of the list press 'q' or 'Q' and the ENTER key to do so.

```
Configuring Port Number: 1
-----

AdminState      (1=Online, 2=Offline, 3=Diagnostics, 4=Down)      [Online]
LinkSpeed       (1=1Gb/s, 2=2Gb/s, 3=Auto)                        [Auto ]
PortType        (TL / GL / G / F / FL / Donor)                    [GL   ]
ISLSecurity     (Any / Ours / None)                                [Any  ]
SymPortName     (string, max=32 chars)                             [Port1]
ALFairness     (True / False)                                     [False]
DeviceScanEnable (True / False)                                     [True ]
ForceOfflineRSCN (True / False)                                     [False]
ARB_FF          (True / False)                                     [False]
InteropCredit   (decimal value, 0-255)                             [0    ]
ExtCredit       (dec value, increments of 11, non-loop only)       [0    ]
```

```

FANEnable      (True / False)                [True ]
LCFEnable      (True / False)                [False ]
MFSEnable      (True / False)                [False ]
MFS_TOV        (decimal value, 10-20480 msec) [640 ]
MSEnable      (True / False)                [True ]
NoClose        (True / False)                [False ]
IOStreamGuard (Enable / Disable)            [Disable]
VIEnable      (True / False)                [False ]
CheckAlps      (True / False)                [False ]

```

Finished configuring attributes.

This configuration must be saved (see config save command) and activated (see config activate command) before it can take effect.

To discard this configuration use the config cancel command.

The following is an example of the Set Config Switch command:

```

SANbox2 #> admin start
SANbox2 (admin) #> config edit
SANbox2 (admin-config) #> set config switch

```

A list of attributes with formatting and default values will follow.

Enter a new value or simply press the ENTER key to accept the current value.

If you wish to terminate this process before reaching the end of the list press 'q' or 'Q' and the ENTER key to do so.

```

AdminState      (1=Online, 2=Offline, 3=Diagnostics) [Online ]
BroadcastEnable (True / False)                [False ]
InbandEnabled   (True / False)                [False ]
DefaultDomainID (decimal value, 1-239)         [11 ]
DomainIDLock    (True / False)                [True ]
SymbolicName    (string, max=32 chars)         [SANbox2 switch]
R_T_TOV         (decimal value, 1-1000 msec)   [100 ]
R_A_TOV         (decimal value, 100-100000 msec) [10000 ]
E_D_TOV         (decimal value, 10-20000 msec) [2000 ]
FS_TOV          (decimal value, 100-100000 msec) [5000 ]
DS_TOV          (decimal value, 100-100000 msec) [5000 ]
PrincipalPriority (decimal value, 1-255)        [254 ]
ConfigDescription (string, max=32 chars)       [ ]

```

The following is an example of the Set Config Threshold command:

```

SANbox2 #> admin start
SANbox2 (admin) #> config edit
SANbox2 (admin-config) #> set config threshold

```

A list of attributes with formatting and current values will follow.

Enter a new value or simply press the ENTER key to accept the current value.

If you wish to terminate this process before reaching the end of the list press 'q' or 'Q' and the ENTER key to do so.

```
ThresholdMonitoringEnabled      (True / False)          [True]

CRCErrorsMonitoringEnabled     (True / False)          [True]
  RisingTrigger                 (decimal value, 1-1000) [25 ]
  FallingTrigger                (decimal value, 0-1000) [1 ]
  SampleWindow                 (decimal value, 1-1000 sec) [10 ]

DecodeErrorsMonitoringEnabled  (True / False)          [True]
  RisingTrigger                 (decimal value, 1-1000) [200 ]
  FallingTrigger                (decimal value, 0-1000) [0 ]
  SampleWindow                 (decimal value, 1-1000 sec) [10 ]

ISLMonitoringEnabled          (True / False)          [True]
  RisingTrigger                 (decimal value, 1-1000) [2 ]
  FallingTrigger                (decimal value, 0-1000) [0 ]
  SampleWindow                 (decimal value, 1-1000 sec) [10 ]

LoginMonitoringEnabled         (True / False)          [True]
  RisingTrigger                 (decimal value, 1-1000) [5 ]
  FallingTrigger                (decimal value, 0-1000) [1 ]
  SampleWindow                 (decimal value, 1-1000 sec) [10 ]

LogoutMonitoringEnabled        (True / False)          [True]
  RisingTrigger                 (decimal value, 1-1000) [5 ]
  FallingTrigger                (decimal value, 0-1000) [1 ]
  SampleWindow                 (decimal value, 1-1000 sec) [10 ]

LOSMonitoringEnabled          (True / False)          [True]
  RisingTrigger                 (decimal value, 1-1000) [100 ]
  FallingTrigger                (decimal value, 0-1000) [5 ]
  SampleWindow                 (decimal value, 1-1000 sec) [10 ]
```

Finished configuring attributes.

This configuration must be saved (see config save command) and activated (see config activate command) before it can take effect. To discard this configuration use the config cancel command.



The following is an example of the Set Config Zoning command.

```
SANbox2 #> admin start
SANbox2 (admin) #> config edit
SANbox2 (admin-config) #> set config zoning
```

A list of attributes with formatting and current values will follow.

Enter a new value or simply press the ENTER key to accept the current value.

If you wish to terminate this process before reaching the end of the list press 'q' or 'Q' and the ENTER key to do so.

```
AutoSave      (True / False) [True]
Default       (All / None)  [All ]
```

Finished configuring attributes.

This configuration must be saved (see config save command) and activated (see config activate command) before it can take effect.

To discard this configuration use the config cancel command.

---

## Set Log Command

Specifies the type of entries to be entered in the event log. The log is a storage file contained on the switch. The log can hold a maximum of 200 entries. When the log becomes full, the entries are replaced, starting with the oldest entry, to produce a list of the last 200 events which occurred. Log entries are created for ports, components, and event severity levels.

**Authority** Admin

**Syntax** **set log**  
archive  
clear  
component [list]  
level [level]  
port [port\_list]  
restore  
save  
start (default)  
stop

**Keywords** **archive**  
Archives the log entries to a file on the switch named *logfile* that can be downloaded from the switch using FTP. To download the log file, open an FTP session, log in with account name/password of “images” for both, and type “get logfile”.

**clear**  
Clears all log entries.

**component [list]**  
Specifies one or more components to monitor for events. Use spaces to delimit values in the list. Choose one or more of the following values:

All

Monitors all components. To maintain optimal switch performance, do not use this setting with the Level keyword set to Info.

Chassis

Monitors chassis hardware components such as fans and power supplies.

Eport

Monitors all E\_Ports.

Mgmtserver

Monitors management server status.

Nameserver

Monitors name server status.

None

Monitor none of the component events.

Other  
Monitors other miscellaneous events.

Port  
Monitors all port events

Switch  
Monitors switch management events.

Zoning  
Monitors zoning conflict events.

**level [level]**

Specifies the severity level given by [level] to use in monitoring events for the specified components or ports. [level] can be one of the following values:

Critical  
Monitors critical events.

Warn  
Monitors warning events.

Info  
Monitors informational events. To maintain optimal switch performance, do not use this setting with the Component keyword set to All.

None  
Monitors none of the severity levels.

**port [port\_list]**

Specifies one or more ports to monitor for events. Choose one of the following values:

[port\_list]  
Specifies port or ports to monitor. Use spaces to delimit values in the list. Ports are numbered beginning with 0.

All  
Specifies all ports.

None  
Disables monitoring on all ports.

**restore**

Returns the port, component, and level settings to the default values.

**save**

Saves the log settings for the component, level, and port. These settings remain in effect after a switch reset. The log settings can be viewed using the Show Log Settings command. To export log entries to a file, use the Set Log Archive command.

---

**start**

Starts the logging of events based on the Port, Component, and Level keywords assigned to the current configuration. The logging continues until you enter the Set Log Stop command.

**stop**

Stops logging of events.

**Notes**

To maintain optimal switch performance, do not set the Component keyword to All and the Level keyword to Info at the same time.

## Set Port Command

Sets port state and speed for the specified port temporarily until the next switch reset or new configuration activation. This command also clears port counters.

**Authority** Admin

**Syntax** **set port [port\_number]**  
bypass [alpa]  
clear  
enable  
speed [transmission\_speed]  
state [state]

**Keywords** **[port\_number]**  
Specifies the port. Ports are numbered beginning with 0.

**bypass [alpa]**

Sends a Loop Port Bypass (LPB) to a specific Arbitrated Loop Physical Address (ALPA) or to all ALPAs on the arbitrated loop. [alpa] can be a specific ALPA or the keyword ALL to choose all ALPAs.

**clear**

Clears the counters on the specified port.

**enable**

Sends a Loop Port Enable (LPE) to all ALPAs on the arbitrated loop.

**speed [transmission\_speed]**

Specifies the transmission speed for the specified port. Choose one of the following port speed values:

1Gb/s

One gigabit per second.

2Gb/s

Two gigabits per second.

Auto

The port speed is automatically detected.

**state [state]**

Specifies one of the following administrative states for the specified port:

Online

Places the port online.

Offline

Places the port offline.

Diagnostics

Prepares the port for testing.

Down

Disables the port.

## Set Setup Command

Changes SNMP and system configuration settings. The switch maintains one SNMP configuration and one system configuration.

**Authority** Admin

**Syntax** **set setup**  
snmp  
system

**Keywords** **snmp**  
Prompts you in a line-by-line fashion to change SNMP configuration settings. [Table B-11](#) describes the SNMP fields. For each parameter, enter a new value or press the Enter key to accept the current value shown in brackets.

**Table B-11. SNMP Configuration Settings**

| Entry               | Description                                                                                                                                                                                                               |
|---------------------|---------------------------------------------------------------------------------------------------------------------------------------------------------------------------------------------------------------------------|
| Contact             | Specifies the name of the person to be contacted to respond to trap events. The default is undefined.                                                                                                                     |
| Location            | Specifies the name of the switch location. The default is undefined.                                                                                                                                                      |
| Trap [1-5] Address  | Specifies the workstation IP address to which SNMP traps are sent. The default address for trap 1 is 10.0.0.254. The default address for traps 2–5 is 0.0.0.0.                                                            |
| Trap [1-5] Port     | Specifies the workstation port to which SNMP traps are sent.                                                                                                                                                              |
| Trap [1-5] Severity | Specifies the severity level to use when monitoring trap events. The default is Warning                                                                                                                                   |
| Trap [1-5] Version  | Specifies the SNMP version (1 or 2) to use in formatting traps. The default is version 2.                                                                                                                                 |
| Trap [1-5] Enabled  | Specifies whether traps (event information) are enabled or disabled (default).                                                                                                                                            |
| ReadCommunity       | Read community password that authorizes an SNMP agent to read information from the switch. This is a write-only field. The value on the switch and the SNMP management server must be the same. The default is “public”.  |
| WriteCommunity      | Write community password that authorizes an SNMP agent to write information to the switch. This is a write-only field. The value on the switch and the SNMP management server must be the same. The default is “private”. |

**Table B-11. SNMP Configuration Settings**

| Entry           | Description                                                                                                                                                                                           |
|-----------------|-------------------------------------------------------------------------------------------------------------------------------------------------------------------------------------------------------|
| TrapCommunity   | Trap community password that authorizes an SNMP agent to receive traps. This is a write-only field. The value on the switch and the SNMP management server must be the same. The default is "public". |
| AuthFailureTrap | Enables (True) or disables (False) the generation of traps in response to trap authentication failures. The default is False.                                                                         |
| ProxyEnabled    | Enables (True) or disables (False) SNMP communication with other switches in the fabric. The default is True.                                                                                         |

**system**

Prompts you in a line-by-line fashion to change system configuration settings. [Table B-12](#) describes the system configuration fields. For each parameter, enter a new value or press the Enter key to accept the current value shown in brackets.

**Table B-12. System Configuration Settings**

| Entry                   | Description                                                                                                                                                                          |
|-------------------------|--------------------------------------------------------------------------------------------------------------------------------------------------------------------------------------|
| Eth0NetworkDiscovery    | Boot Method (1 - Static, 2 - Bootp, 3 - DHCP, 4 - RARP)                                                                                                                              |
| Eth0NetworkAddress      | Internet Protocol (IP) address for the Ethernet port.                                                                                                                                |
| Eth0NetworkMask         | Subnet mask address for the Ethernet port.                                                                                                                                           |
| Eth0GatewayAddress      | IP address gateway.                                                                                                                                                                  |
| AdminTimeout            | Specifies the amount of time in minutes the switch waits before terminating an idle Admin session. Zero (0) disables the time out threshold. The default is 30, the maximum is 1440. |
| TempMonitoringWarning   | Warning temperature threshold in °C above which a warning condition alarm is generated. The default is 65 °C.                                                                        |
| TempMonitoringFailure   | Failure temperature threshold in °C above which a failure condition alarm is generated. The default is 70 °C.                                                                        |
| TempFailurePortShutdown | Enables (True) or disables (False) the switch's ability to place all ports offline when the internal temperature exceeds the failure threshold. The default is False.                |

**Table B-12. System Configuration Settings (Continued)**

| Entry                | Description                                                                                                                                        |
|----------------------|----------------------------------------------------------------------------------------------------------------------------------------------------|
| SecurityEnabled      | Enables (True) or disables (False) the enforcement of account names and passwords. The default is False.                                           |
| LocalLogEnabled      | Enables (True) or disables (False) the saving of log information on the switch. The default is True.                                               |
| RemoteLogEnabled     | Enables (True) or disables (False) the recording of the switch event log on a remote host that supports the syslog protocol. The default is False. |
| RemoteLogHostAddress | The IP address of the host that will receive the switch event log information if remote logging is enabled. The default is 10.0.0.254.             |

**Notes**

The two components of security are user authentication and fabric security. The user must be authenticated before gaining access to a switch. If an invalid account name/password combination is entered, that user can not access the switch, and thus can not gain access to the fabric. If security is enabled (True) and a valid account name/password combination is entered, that user can access the switch but can not execute any command that exceeds their authority (privileges) level. If security is disabled (False) and a valid account name/password combination is entered, that user has access to all switches in the fabric and can execute all commands (both user and admin), regardless of their authority (privilege) level.

**Examples**

The following is an example of the Set Setup SNMP command:

```

SANbox2 #> admin start
SANbox2 (admin) #> set setup snmp
  A list of attributes with formatting and current values will follow.
  Enter a new value or simply press the ENTER key to accept the current value.
  If you wish to terminate this process before reaching the end of the list
  press 'q' or 'Q' and the ENTER key to do so.

Trap Severity Options
-----
unknown, emergency, alert, critical, error, warning, notify, info, debug, mark

Contact          (string, max=32 chars)      [<sysContact undefined]
Location         (string, max=32 chars)      [sysLocation undefined]
Trap1Address     (dot-notated IP Address)    [10.20.71.15      ]
Trap1Port       (decimal value)            [162              ]
    
```



|                 |                             |          |   |
|-----------------|-----------------------------|----------|---|
| Trap1Severity   | (see allowed options above) | [warning | ] |
| Trap1Version    | (1 / 2)                     | [2       | ] |
| Trap1Enabled    | (True / False)              | [False   | ] |
| Trap2Address    | (dot-notated IP Address)    | [0.0.0.0 | ] |
| Trap2Port       | (decimal value)             | [162     | ] |
| Trap2Severity   | (see allowed options above) | [warning | ] |
| Trap2Version    | (1 / 2)                     | [2       | ] |
| Trap2Enabled    | (True / False)              | [False   | ] |
| Trap3Address    | (dot-notated IP Address)    | [0.0.0.0 | ] |
| Trap3Port       | (decimal value)             | [162     | ] |
| Trap3Severity   | (see allowed options above) | [warning | ] |
| Trap3Version    | (1 / 2)                     | [2       | ] |
| Trap3Enabled    | (True / False)              | [False   | ] |
| Trap4Address    | (dot-notated IP Address)    | [0.0.0.0 | ] |
| Trap4Port       | (decimal value)             | [162     | ] |
| Trap4Severity   | (see allowed options above) | [warning | ] |
| Trap4Version    | (1 / 2)                     | [2       | ] |
| Trap4Enabled    | (True / False)              | [False   | ] |
| Trap5Address    | (dot-notated IP Address)    | [0.0.0.0 | ] |
| Trap5Port       | (decimal value)             | [162     | ] |
| Trap5Severity   | (see allowed options above) | [warning | ] |
| Trap5Version    | (1 / 2)                     | [2       | ] |
| Trap5Enabled    | (True / False)              | [False   | ] |
| ReadCommunity   | (string, max=32 chars)      | [public  | ] |
| WriteCommunity  | (string, max=32 chars)      | [private | ] |
| TrapCommunity   | (string, max=32 chars)      | [public  | ] |
| AuthFailureTrap | (True / False)              | [False   | ] |
| ProxyEnabled    | (True / False)              | [True    | ] |

The following is an example of the Set Setup System command:

```
SANbox2 (admin) #> set setup system
```

A list of attributes with formatting and current values will follow.  
Enter a new value or simply press the ENTER key to accept the current value.  
If you wish to terminate this process before reaching the end of the list  
press 'q' or 'Q' and the ENTER key to do so.

|                         |                                     |                  |
|-------------------------|-------------------------------------|------------------|
| Eth0NetworkDiscovery    | (1=Static, 2=Bootp, 3=Dhcp, 4=Rarp) | [Static ]        |
| Eth0NetworkAddress      | (dot-notated IP Address)            | [10.0.0.1 ]      |
| Eth0NetworkMask         | (dot-notated IP Address)            | [255.255.255.0 ] |
| Eth0GatewayAddress      | (dot-notated IP Address)            | [10.0.0.254 ]    |
| AdminTimeout            | (dec value 0-1440 minutes, 0=never) | [30 ]            |
| TempMonitoringWarning   | (dec value 0-100 degrees Celsius)   | [65 ]            |
| TempMonitoringFailure   | (dec value 0-100 degrees Celsius)   | [70 ]            |
| TempFailurePortShutdown | (True / False)                      | [False ]         |
| SecurityEnabled         | (True / False)                      | [False ]         |
| LocalLogEnabled         | (True / False)                      | [True ]          |
| RemoteLogEnabled        | (True / False)                      | [False ]         |
| RemoteLogHostAddress    | (dot-notated IP Address)            | [10.0.0.254 ]    |

## Show Command

Displays fabric, switch, and port operational information.

**Authority** User

**Syntax** **show**  
about  
alarm  
broadcast  
chassis  
config [option]  
domains  
donor  
fabric  
interface  
log [option]  
lsdb  
mem [count]  
ns [option]  
pagebreak  
perf [option]  
port [port\_number]  
post log  
setup [option]  
steering [domain\_id]  
support  
switch  
topology  
users  
version

**Keywords** **about**  
Displays an introductory set of information about operational attributes of the switch. This keyword is equivalent to the Version keyword.

**alarm**  
Displays the last 200 alarm entries.

**broadcast**  
Displays the broadcast tree information and all ports that are currently transmitting and receiving broadcast frames.

**chassis**  
Displays chassis component status and temperature.

**config [option]**  
Displays switch and port configuration attributes. Refer to the ["Show Config Command" on page B-53](#).

---

**domains**

Displays list of each domain and its worldwide name in the fabric.

**donor**

Displays list of current donor configuration for all ports.

**fabric**

Displays list of each domain, fabric ID, worldwide name, node IP address, and port IP address.

**interface**

Displays the status of the active network interfaces.

**log [option]**

Displays log entries. Refer to the ["Show Log Command" on page B-56](#).

**lsdb**

Displays Link State database information.

**mem [count]**

Displays information about memory activity for the number of seconds given by [count]. If you omit [count], the value 1 is used. Displayed memory values are in 1K block units.

**Note:** This keyword will display memory activity updates until [count] is reached – it cannot be interrupted. Therefore, avoid using large values for [count].

**ns [option]**

Displays name server information for the specified [option]. If you omit [option], name server information for the local domain ID is displayed. [option] can have the following values:

all

Displays name server information for all switches and ports.

[domain\_id]

Displays name server information for the switch given by [domain\_id].

[domain\_id] is a switch domain ID.

[port\_id]

Displays name server information for the port given by [port\_id]. [port\_id] is a port Fibre Channel address.

**pagebreak**

Displays the current pagebreak setting. The pagebreak setting limits the display of information to 20 lines (On) or allows the continuous display of information without a break (Off).

**perf [option]**

Displays performance information for all ports. Refer to the ["Show Perf Command" on page B-58](#).

**port [port\_number]**

Displays operational information for the port given by [port\_number]. Ports are numbered beginning with 0. If the port number is omitted, information is displayed for all ports. [Table B-13](#) describes the port parameters.

**Table B-13. Show Port Parameters**

| Entry           | Description                                                                                                                                                                                                                                                                                                                         |
|-----------------|-------------------------------------------------------------------------------------------------------------------------------------------------------------------------------------------------------------------------------------------------------------------------------------------------------------------------------------|
| Alinit          | Incremented each time the port begins AL initialization.                                                                                                                                                                                                                                                                            |
| AlinitError     | Number of times the port entered initialization and the initialization failed.                                                                                                                                                                                                                                                      |
| ClassXFramesIn  | Number of class x frames received by this port.                                                                                                                                                                                                                                                                                     |
| ClassXFramesOut | Number of class x frames sent by this port.                                                                                                                                                                                                                                                                                         |
| ClassXWordsIn   | Number of class x words received by this port.                                                                                                                                                                                                                                                                                      |
| ClassXWordsOut  | Number of class x words sent by this port.                                                                                                                                                                                                                                                                                          |
| DecodeError     | Decoding error detected.                                                                                                                                                                                                                                                                                                            |
| FBusy           | Number of times the switch sent a F_BSY because Class 2 frame could not be delivered within ED_TOV time. Number of class 2 and class 3 fabric busy (F_BSY) frames generated by this port in response to incoming frames. This usually indicates a busy condition on the fabric or N_Port that is preventing delivery of this frame. |
| Flowererrors    | Received a frame when there were no available credits.                                                                                                                                                                                                                                                                              |
| FReject         | Number of frames from devices that were rejected.                                                                                                                                                                                                                                                                                   |
| InvalidCRC      | Invalid CRC detected.                                                                                                                                                                                                                                                                                                               |
| InvalidDestAddr | Invalid destination address detected.                                                                                                                                                                                                                                                                                               |
| LIP_AL_PD_AL_PS | Number of F7, AL_PS LIPs, or AL_PD (vendor specific) resets, performed.                                                                                                                                                                                                                                                             |
| LIP_F7_AL_PS    | This LIP is used to reinitialize the loop. An L_port, identified by AL_PS, may have noticed a performance degradation and is trying to restore the loop.                                                                                                                                                                            |
| LIP_F8_AL_PS    | This LIP denotes a loop failure detected by the L_port identified by AL_PS.                                                                                                                                                                                                                                                         |

**Table B-13. Show Port Parameters (Continued)**

| Entry           | Description                                                                                                                                                                                                                                                                                                                                                                                                                           |
|-----------------|---------------------------------------------------------------------------------------------------------------------------------------------------------------------------------------------------------------------------------------------------------------------------------------------------------------------------------------------------------------------------------------------------------------------------------------|
| LIP_F7_F7       | A loop initialization primitive frame used to acquire a valid AL_PA.                                                                                                                                                                                                                                                                                                                                                                  |
| LIP_F8_F7       | A loop initialization primitive frame used to indicate that a loop failure has been detected at the receiver.                                                                                                                                                                                                                                                                                                                         |
| Link Failures   | Number of optical link failures detected by this port. A link failure is a loss of synchronization for a period of time greater than the value of R_T_TOV or by loss of signal while not in the offline state. A loss of signal causes the switch to attempt to re-establish the link. If the link is not re-established by the time specified by R_T_TOV, a link failure is counted. A link reset is performed after a link failure. |
| Login           | Time when the port logged in.                                                                                                                                                                                                                                                                                                                                                                                                         |
| Logout          | Time when port logged out.                                                                                                                                                                                                                                                                                                                                                                                                            |
| LoopTimeouts    | A two (2) second timeout as specified by FC-AL-2.                                                                                                                                                                                                                                                                                                                                                                                     |
| LossOfSync      | Number of synchronization losses (>100 ms) detected by this port. A loss of synchronization is detected by receipt of an invalid transmission word.                                                                                                                                                                                                                                                                                   |
| PrimSeqErrors   | Primitive sequence errors detected.                                                                                                                                                                                                                                                                                                                                                                                                   |
| RxLinkResets    | Number of link reset primitives received from an attached device.                                                                                                                                                                                                                                                                                                                                                                     |
| RxOfflineSeq    | Number of offline sequences received. An OLS is issued for link initialization, a Receive & Recognize Not_Operational (NOS) state, or to enter the offline state.                                                                                                                                                                                                                                                                     |
| TotalErrors     | Total number of errors detected.                                                                                                                                                                                                                                                                                                                                                                                                      |
| TotalLIPsRecvd  | Number of loop initialization primitive frames received by this port.                                                                                                                                                                                                                                                                                                                                                                 |
| TotalLinkResets | Total number of link reset primitives.                                                                                                                                                                                                                                                                                                                                                                                                |
| TotalOfflineSeq | Total number of Offline Sequences issued by this port.                                                                                                                                                                                                                                                                                                                                                                                |
| TotalRxFrames   | Total number of frames received by this port.                                                                                                                                                                                                                                                                                                                                                                                         |
| TotalRxWords    | Total number of words received by this port.                                                                                                                                                                                                                                                                                                                                                                                          |
| TotalTxFrames   | Total number of frames issued by this port.                                                                                                                                                                                                                                                                                                                                                                                           |
| TotalTxWords    | Total number of words issued by this port.                                                                                                                                                                                                                                                                                                                                                                                            |

**Table B-13. Show Port Parameters (Continued)**

| Entry        | Description                                                                         |
|--------------|-------------------------------------------------------------------------------------|
| TxLinkResets | Number of Link Resets issued by this port.                                          |
| TxOfflineSeq | Total number of Offline Sequences issued by this port.                              |
| TxWait       | Time waiting to transmit when blocked with no credit.<br>Measured in FC Word times. |

**post log**

Displays the Power On Self Test (POST) log containing the results from the POST.

**setup [option]**

Displays setup attributes for the system, SNMP, and the switch manufacturer. Refer to the ["Show Setup Command" on page B-60](#).

**steering [domain\_id]**

Displays the routes that data takes to the switch given by [domain\_id]. If you omit [domain\_id], the system displays routes for all switches in the fabric.

**support**

Executes a series of commands that display a complete description of the switch, its configuration, and operation. The display can be captured from the screen and used for diagnosing problems. This keyword is intended for use at the request of your authorized maintenance provider. The commands that are executed include the following:

- Date
- Alias List
- Config List
- Date
- History
- Ps
- Show (About, Alarm, Backtrace, Chassis, Config Port, Config Switch, Config Threshold, Dev, Dev Settings, Domains, Donor, Fabric, Log, Log Settings, Lsdb, Mem, Ns, Perf, Port, Setup Mfg, Setup Snmp, Setup System, Steering, Switch, Topology, Users)
- Uptime
- User Accounts
- Whoami
- Zoneset (Active, List)
- Zoning (History, Limits, List)

**switch**

Displays switch operational information.

**topology**

Displays all connected devices.

**users**

Displays a list of logged-in users. This is equivalent to the User List command.

**version**

Displays an introductory set of information about operational attributes of the switch. This keyword is equivalent to the About keyword.

**Examples** The following is an example of the Show Chassis command:

```
SANbox2 #> show chassis
      Chassis Information
      -----
BoardTemp (1) - Degrees Celsius   32
BoardTemp (2) - Degrees Celsius   36
FanStatus (1)                      Good
FanStatus (2)                      Good
PowerSupplyStatus (1)              Good
PowerSupplyStatus (2)              Good
```

The following is an example of the Show Domains command:

```
SANbox2 #> show domains

Principal switch is (local): 10:00:00:c0:dd:00:90:6b

Domain ID List:
      Domain 22 (0x16)           WWN = 10:00:00:c0:dd:00:90:6b
```

The following is an example of the Show Fabric command:

```
SANbox2 #> show fabric

Switch      ID      WWN                      Eth0IPAddress
-----    --      ---                      -
1 (0x1)     fffc01 10:00:00:c0:dd:00:bd:ec  10.20.68.107
4 (0x4)     fffc04 10:00:00:c0:dd:00:80:21  10.20.68.14
```



The following is an example of the Show NS (local domain) command:

```
SANbox2 #> show ns
```

| Seq | Domain    | Port   | Port |     |                         |  |                         |
|-----|-----------|--------|------|-----|-------------------------|--|-------------------------|
| No  | ID        | ID     | Type | COS | PortWWN                 |  | NodeWWN                 |
| 1   | 99 (0x63) | 630425 | NL   | 3   | 21:00:00:20:37:d9:4b:2a |  | 20:00:00:20:37:d9:4b:2a |
| 2   | 99 (0x63) | 6304e8 | NL   | 3   | 21:00:00:20:37:d9:4b:2f |  | 20:00:00:20:37:d9:4b:2f |
| 3   | 99 (0x63) | 6304ef | NL   | 3   | 21:00:00:20:37:d9:4f:46 |  | 20:00:00:20:37:d9:4f:46 |

The following is an example of the Show NS Domain\_ID command:

```
SANbox2-32 #> show ns 102
```

| Seq | Domain     | Port   | Port |     |                         |  |                         |
|-----|------------|--------|------|-----|-------------------------|--|-------------------------|
| No  | ID         | ID     | Type | COS | PortWWN                 |  | NodeWWN                 |
| 1   | 102 (0x66) | 6606dc | NL   | 3   | 21:00:00:20:37:19:1f:7c |  | 20:00:00:20:37:19:1f:7c |
| 2   | 102 (0x66) | 6606e0 | NL   | 3   | 21:00:00:20:37:19:1d:c8 |  | 20:00:00:20:37:19:1d:c8 |
| 3   | 102 (0x66) | 6606e1 | NL   | 3   | 21:00:00:20:37:19:1d:33 |  | 20:00:00:20:37:19:1d:33 |
| 4   | 102 (0x66) | 6606e2 | NL   | 3   | 21:00:00:20:37:19:1f:95 |  | 20:00:00:20:37:19:1f:95 |
| 5   | 102 (0x66) | 6606e4 | NL   | 3   | 21:00:00:20:37:19:1f:a5 |  | 20:00:00:20:37:19:1f:a5 |
| 6   | 102 (0x66) | 6606e8 | NL   | 3   | 21:00:00:20:37:19:1d:9b |  | 20:00:00:20:37:19:1d:9b |
| 7   | 102 (0x66) | 6606ef | NL   | 3   | 21:00:00:20:37:19:1f:90 |  | 20:00:00:20:37:19:1f:90 |

The following is an example of the Show Interface command:

```
SANbox2 #> show interface
```

```
eth0      Link encap:Ethernet  HWaddr 00:C0:DD:00:BD:ED
          inet addr:10.20.68.107  Bcast:10.20.68.255  Mask:255.255.255.0
          UP BROADCAST RUNNING MULTICAST  MTU:1500  Metric:1
          RX packets:4712 errors:0 dropped:0 overruns:0 frame:0
          TX packets:3000 errors:0 dropped:0 overruns:0 carrier:0
          collisions:0 txqueuelen:100
          RX bytes:415313 (405.5 Kb)  TX bytes:716751 (699.9 Kb)
          Interrupt:11 Base address:0xfcc0
```

```
lo        Link encap:Local Loopback
          inet addr:127.0.0.1  Mask:255.0.0.0
          UP LOOPBACK RUNNING  MTU:16436  Metric:1
          RX packets:304 errors:0 dropped:0 overruns:0 frame:0
          TX packets:304 errors:0 dropped:0 overruns:0 carrier:0
          collisions:0 txqueuelen:0
          RX bytes:20116 (19.6 Kb)  TX bytes:20116 (19.6 Kb)
```

The following is an example of the Show Port command:

```
SANbox2 #> show port 1
Port Number: 1
-----
AdminState      Online          PortID          640100
AsicNumber      0              PortWWN
AsicPort        1              RunningType     Donor
ConfigType      Donor          SFPPartNumber   PL-XPL-00-S23-00
DiagStatus      Passed         SFPRevision
EpConnState     None           SFPType         100-M5-SN-I
EpIsoReason     NotApplicable SFPVendor       PICOLIGHT
LinkSpeed       2Gb/s         SFPVendorID     00850400
LinkState       Active         SymbolicName    Port1
LoginStatus     LoggedIn      SyncStatus      SyncLost
MaxCredit       0             XmitterEnabled  False
OperationalState Online

ALInit          0              FlowErrors      0              PrimSeqErrors   0
ALInitError     0              FReject        0              RxLinkResets    0
Class2FramesIn  0              InvalidCRC      0              RxOfflineSeq    0
Class2FramesOut 0              InvalidDestAddr 0              TotalErrors     0
Class2WordsIn   0              LIP_AL_PD_AL_PS 0              TotalLIPsRecvd  0
Class2WordsOut  0              LIP_F7_AL_PS   0              TotalLinkResets 0
Class3FramesIn  0              LIP_F7_F7      0              TotalOfflineSeq 0
Class3FramesOut 0              LIP_F8_AL_PS   0              TotalRxFrames   0
Class3Toss      0              LIP_F8_F7      0              TotalRxWords    0
Class3WordsIn   0              LinkFailures    0              TotalTxFrames   0
Class3WordsOut  0              Login           0              TotalTxWords    0
DecodeErrors    0              Logout          0              TxLinkResets    0
EpConnects     0              LoopTimeouts    0              TxOfflineSeq    0
FBusy          0              LossOfSync      0              TxWaits         0
```

The following is an example of the Show Switch command:

```
SANbox2 #> show switch
Switch Information
-----
SymbolicName                SANbox2-203
SwitchWWN                   10:00:00:c0:dd:00:b8:b5
SwitchType                  SANbox2-16
PromVersion                 V0.1-5-18 (day month date time year)
CreditPool                 0
DomainID                   3
FirstPortAddress           640000
FlashSize - MBytes         128
LogLevel                   Info
MaxPorts                   16
NumberOfResets             127
ReasonForLastReset         NormalReset
SWImageVersion (1) - build date V1.5-6-16 (day month date time year)
SWImageVersion (2) - build date V1.5-6-18 (day month date time year)
ActiveConfiguration        default
ActiveSWImage              2
AdminState                 Online
AdminModeActive            False
BeaconOnStatus             False
OperationalState           Online
PrincipalSwitchRole        False
BoardTemp (1) - Degrees Celsius 32
BoardTemp (2) - Degrees Celsius 36
SwitchDiagnosticsStatus    Passed
SwitchTemperatureStatus    Normal
```

The following is an example of the Show Topology command:

```
SANbox2 #> show topology
Unique ID Key
-----
A = ALPA, D = Domain ID, P = Port ID
Port   Local Local                Remote Remote                Unique
Number Type  PortWWN                    Type  NodeWWN                ID
-----
5      F      20:05:00:c0:dd:00:bd:ec    N     20:00:00:00:c9:22:1e:93  010500 P
10     E      20:0a:00:c0:dd:00:bd:ec    E     10:00:00:c0:dd:00:80:21  4(0x4) D
```

The following is an example of the Show Topology command for port 4:

```
SANbox2 #> show topology 4
  Local Link Information
  -----
  PortNumber 4
  PortID      010400
  PortWWN     20:04:00:c0:dd:00:90:f3
  PortType    F
  Remote Link Information
  -----
  Device 0
  PortID      010400
  PortWWN     21:00:00:e0:8b:07:a8:bc
  NodeWWN     20:00:00:e0:8b:07:a8:bc
  PortType    N
  Description (NULL)
  IPAddress   0.0.0.0
```

The following is an example of the Show Version command:

```
SANbox2 #> show version
SystemDescription  QLogic SANbox2 FC Switch
Eth0NetworkAddress 10.0.0.1 (use 'set setup system' to update)
MACAddress         12:34:56:78:ab:cd
WorldWideName      10:00:00:c0:dd:00:90:a4
SymbolicName       SANbox2
SWImageVersion     V1.5.1-1-12
SWImageBuildDate   day month date time year
DiagnosticsStatus  Passed
SecurityEnabled    False
```

## Show Config Command

Displays switch, port, alarm threshold, and zoning attributes for the current configuration.

Authority User

**Syntax** **show config**  
           port *[port\_number]*  
           switch  
           threshold  
           zoning

**Keywords** **port *[port\_number]***  
 Displays configuration parameters for the port number given by *[port\_number]*. Ports are numbered beginning with 0. If *[port\_number]* is omitted, all ports are specified.

**switch**  
 Displays configuration parameters for the switch.

**threshold**  
 Displays alarm threshold parameters for the switch.

**zoning**  
 Displays zoning configuration parameters for the switch.

**Examples** The following is an example of the Show Config Port command:

```
SANbox2 #> show config port 3
Configuration Name: default
-----
Port Number: 3
-----
AdminState           Online
LinkSpeed            Auto
PortType              GL
ISLSecurity           Any
SymbolicName         Port3
ALFairness            False
DeviceScanEnabled    True
ForceOfflineRSCN     False
ARB_FF                False
InteropCredit        0
ExtCredit             0
FANEnable             False
LCFEnable             False
MFSEnable            False
MFS_TOV              640
MSEnable              False
```

```
NoClose           False
IOStreamGuard     False
VIEnable          False
CheckAlps         False
```

The following is an example of the Show Config Switch command:

```
SANbox2 #> show config switch

Configuration Name: default
-----

Switch Configuration Information
-----
AdminState           Online
BroadcastEnabled     True
InbandEnabled        True
DomainID             100 (0x64)
DomainIDLock         False
SymbolicName         SANbox2 N_11.107
R_T_TOV              100
R_A_TOV              10000
E_D_TOV              2000
FS_TOV               5000
DS_TOV               5000
PrincipalPriority     254
ConfigDescription    QLogic SANbox2 FC Switch
ConfigLastSavedBy    guest@IB-session10
ConfigLastSavedOn    day month date time year
```

The following is an example of the Show Config Threshold command:

```
SANbox2 #> show config threshold

Configuration Name: default
-----

Threshold Configuration Information
-----
ThresholdMonitoringEnabled  True
CRCErrorsMonitoringEnabled  True
RisingTrigger               25
FallingTrigger              1
SampleWindow                 10
DecodeErrorsMonitoringEnabled True
RisingTrigger                25
```

```
FallingTrigger          0
SampleWindow           10
ISLMonitoringEnabled   True
RisingTrigger          2
FallingTrigger          0
SampleWindow           10
LoginMonitoringEnabled True
RisingTrigger          5
FallingTrigger          1
SampleWindow           10
LogoutMonitoringEnabled True
RisingTrigger          5
FallingTrigger          1
SampleWindow           10
LOSMonitoringEnabled   True
RisingTrigger          100
FallingTrigger          5
SampleWindow           10
```

The following is an example of the Show Config Zoning command:

```
SANbox2 #> show config zoning
```

```
Configuration Name: default
```

```
-----
```

```
Zoning Configuration Information
```

```
-----
```

```
AutoSave              True
```

```
Default               All
```

---

## Show Log Command

Displays the contents of the log or the parameters used to create entries in the log. The log contains a maximum of 200 entries. When the log reaches its entry capacity, subsequent entries overwrite the existing entries, beginning with the oldest.

**Authority** User

**Syntax** **show log**  
    component  
    level  
    options  
    port  
    settings

**Keywords** **component**

Displays the components currently being monitored for events.

**level**

Displays the event severity level needed to create an entry in the log. If the severity level occurs on a port or on a component which is not defined, no entry is made in the log.

**options**

Displays the options used to set the component and log level attributes.

**port**

Displays the ports being monitored for events. If an event occurs which is of the defined level and on a defined component, but not on a defined port, no entry is made in the log.

**settings**

Displays the current settings for component, level and port. This command is equivalent to executing the following commands separately: Show Log Component, Show Log Level, and Show Log Port.

**Examples** The following is an example of the Show Log Component command:

```
SANbox2 #> show log component
Current settings for log
-----
component  Eport
```

The following is an example of the Show Log Level command:

```
SANbox2 #> show log level
Current settings for log
-----
level      Info
```



The following is an example of the Show Log Options command:

```
SANbox2 #> show log options
Allowed options for log
-----
component All, None, NameServer, MgmtServer, Zoning, Switch,
           Chassis, Blade, Port, Eport, Snmp, Other
level      Critical, Warn, Info, None
```

The following is an example of the Show Log command:

```
[327][day month date time year][I][Eport:0xdd00b8b6.304.4 Port: 0/8][Eport
State = E_A0_GET_DOMAIN_ID]
[328][day month date time year][I][Eport:0xdd00b8b6.304.4 Port: 0/8][FSPF
PortUp state=0]
[329][day month date time year][I][Eport:0xdd00b8b6.304.4 Port: 0/8][Send
ing init hello]
[330][day month date time year][I][Eport:0xdd00b8b6.304.4 Port: 0/8][Proc
essing EFP, oxid= 0x8]
[331][day month date time year][I][Eport:0xdd00b8b6.304.4 Port: 0/8][Epor
t State = E_A2_IDLE]
[332][day month date time year][I][Eport:0xdd00b8b6.304.4 Port: 0/8][EFP,
WWN= 0x100000c0dd00b845, len= 0x30]
[333][day month date time year][I][Eport:0xdd00b8b6.304.4 Port: 0/8][Send
ing LSU oxid= 0xc: type= 1]
[334][day month date time year][I][Eport:0xdd00b8b6.304.4 Port: 0/8][Send
Zone Merge Request]
[335][day month date time year][I][Eport:0xdd00b8b6.304.4 Port: 0/8][LSDB
Xchg timer set]
[336][day month date time year][I][Eport:0xdd00b8b6.304.4 Port: 0/8][Sett
ing attribute Oper.UserPort.0.8.EpConnState Connected]
```

---

## Show Perf Command

Displays port performance in frames/second and bytes/second. If you omit the keyword, the command displays data transmitted (out), data received (in), and total data transmitted and received in frames/second and bytes per second.

**Authority** User

**Syntax** **show perf**  
byte  
inbyte  
outbyte  
frame  
inframe  
outframe  
errors

**Keywords** **[none]**

Displays instantaneous performance data in bytes and frames for all ports.

**byte**

Displays continuous performance data in total bytes/second transmitted and received for all ports. Type “q” and press the Enter key to stop the display.

**inbyte**

Displays continuous performance data in bytes/second received for all ports. Type “q” and press the Enter key to stop the display.

**outbyte**

Displays continuous performance data in bytes/second transmitted for all ports. Type “q” and press the Enter key to stop the display.

**frame**

Displays continuous performance data in total frames/second transmitted and received for all ports. Type “q” and press the Enter key to stop the display.

**inframe**

Displays continuous performance data in frames/second received for all ports. Type “q” and press the Enter key to stop the display.

**outframe**

Displays continuous performance data in frames/second transmitted for all ports. Type “q” and press the Enter key to stop the display.

**errors**

Displays continuous error counts for all ports. Type “q” and press the Enter key to stop the display.

**Examples** The following is an example of the Show Perf command:

SANbox2 #> show perf

| Port Number | Bytes/s (in) | Bytes/s (out) | Bytes/s (total) | Frames/s (in) | Frames/s (out) | Frames/s (total) |
|-------------|--------------|---------------|-----------------|---------------|----------------|------------------|
| 0           | 0            | 0             | 0               | 0             | 0              | 0                |
| 1           | 0            | 0             | 0               | 0             | 0              | 0                |
| 2           | 0            | 0             | 0               | 0             | 0              | 0                |
| 3           | 0            | 0             | 0               | 0             | 0              | 0                |
| 4           | 0            | 0             | 0               | 0             | 0              | 0                |
| 5           | 0            | 0             | 0               | 0             | 0              | 0                |
| 6           | 0            | 0             | 0               | 0             | 0              | 0                |
| 7           | 0            | 0             | 0               | 0             | 0              | 0                |
| 8           | 7K           | 136M          | 136M            | 245           | 68K            | 68K              |
| 9           | 58K          | 0             | 58K             | 1K            | 0              | 1K               |
| 10          | 0            | 0             | 0               | 0             | 0              | 0                |
| 11          | 0            | 0             | 0               | 0             | 0              | 0                |
| 12          | 0            | 0             | 0               | 0             | 0              | 0                |
| 13          | 0            | 0             | 0               | 0             | 0              | 0                |
| 14          | 0            | 7K            | 7K              | 0             | 245            | 245              |
| 15          | 136M         | 58K           | 136M            | 68K           | 1K             | 70K              |

The following is an example of the Show Perf Byte command:

SANbox2 #> show perf byte

Displaying bytes/sec (total)... (Press 'q' and the ENTER key to stop display)

| 0 | 1 | 2 | 3 | 4 | 5 | 6 | 7 | 8    | 9   | 10 | 11 | 12 | 13 | 14 | 15   |
|---|---|---|---|---|---|---|---|------|-----|----|----|----|----|----|------|
| 0 | 0 | 0 | 0 | 0 | 0 | 0 | 0 | 137M | 58K | 0  | 0  | 0  | 0  | 8K | 137M |
| 0 | 0 | 0 | 0 | 0 | 0 | 0 | 0 | 136M | 58K | 0  | 0  | 0  | 0  | 8K | 136M |
| 0 | 0 | 0 | 0 | 0 | 0 | 0 | 0 | 135M | 58K | 0  | 0  | 0  | 0  | 7K | 135M |
| 0 | 0 | 0 | 0 | 0 | 0 | 0 | 0 | 137M | 58K | 0  | 0  | 0  | 0  | 8K | 137M |
| 0 | 0 | 0 | 0 | 0 | 0 | 0 | 0 | 136M | 58K | 0  | 0  | 0  | 0  | 7K | 136M |
| 0 | 0 | 0 | 0 | 0 | 0 | 0 | 0 | 137M | 58K | 0  | 0  | 0  | 0  | 8K | 137M |
| 0 | 0 | 0 | 0 | 0 | 0 | 0 | 0 | 136M | 58K | 0  | 0  | 0  | 0  | 8K | 136M |
| 0 | 0 | 0 | 0 | 0 | 0 | 0 | 0 | 136M | 58K | 0  | 0  | 0  | 0  | 7K | 136M |

q

---

## Show Setup Command

Displays the current SNMP and system settings.

**Authority** User

**Syntax** **show setup**  
mfg  
snmp  
system

**Keywords** **mfg**  
Displays manufacturing information about the switch.

**snmp**  
Displays the current SNMP settings.

**system**  
Displays the current system settings.

**Examples** The following is an example of the Show Setup Mfg command:

```
SANbox2 #> show setup mfg
      Manufacturing Information
      -----
      BrandName           QLogic
      BuildDate           Unknown
      ChassisPartNumber   Unknown
      ChassisSerialNumber 0
      CPUBoardSerialNumber 000603949
      MACAddress          00:c0:dd:00:90:aa
      PlanarPartNumber    Unknown
      SwitchSymbolicName  SANbox2
      SwitchWWN           10:00:00:c0:dd:00:90:ab
      SystemDescription    QLogic SANbox2 FC Switch
      SystemObjectID      1.3.6.1.4.1.1663.1.1.1.1.11
```

The following is an example of the Show Setup Snmp command:

```
SANbox2 #> show setup snmp
      SNMP Information
      -----
      Contact              <sysContact undefined>
      Location             N_107 System Test Lab
      Description          QLogic SANbox2 FC Switch
      Trap1Address         10.0.0.254
      Trap1Port            162
      Trap1Severity        warning
      Trap1Version         2
      Trap1Enabled         False
```

```

Trap2Address      0.0.0.0
Trap2Port         162
Trap2Severity     warning
Trap2Version      2
Trap2Enabled      False
Trap3Address      0.0.0.0
Trap3Port         162
Trap3Severity     warning
Trap3Version      2
Trap3Enabled      False
Trap4Address      0.0.0.0
Trap4Port         162
Trap4Severity     warning
Trap4Version      2
Trap4Enabled      False
Trap5Address      0.0.0.0
Trap5Port         162
Trap5Severity     warning
Trap5Version      2
Trap5Enabled      False
ObjectID          1.3.6.1.4.1.1663.1.1.1.1.11
AuthFailureTrap   True
ProxyEnabled      True

```

The following is an example of the Show Setup System command:

```

SANbox2 #> show setup system
System Information
-----
Eth0NetworkDiscovery      Static
Eth0NetworkAddress       10.20.11.32
Eth0NetworkMask          255.255.252.0
Eth0GatewayAddress       10.20.8.254
AdminTimeout              30
TempMonitoringWarning    65
TempMonitoringFailure    70
TempFailurePortShutdown  False
SecurityEnabled          False
LocalLogEnabled          True
RemoteLogEnabled         False
RemoteLogHostAddress     10.0.0.254

```

---

## Shutdown Command

Terminates all data transfers on the switch at convenient points and closes the Telnet session. Always power cycle the switch after entering this command.

**Authority** Admin

**Syntax** `shutdown`

**Notes** Always use this command to effect an orderly shut down before removing power from the switch. Failure to do so could corrupt the flash memory and the switch configuration.

## Test Command

Tests ports using internal (SerDes level), external (SFP), and online loopback tests. Internal and external tests require that the port be placed in diagnostic mode. Refer to the ["Set Command" on page B-24](#) for information about changing the port administrative state. While the test is running, the remaining ports on the switch remain fully operational.

Authority Admin

**Syntax** test

```
port [port_number] [test_type]
cancel
status
```

**Keywords** port [port\_number] [test\_type]

Tests the port given by [port\_number] using the test given by [test\_type]. If you omit [test\_type], Internal is used. [test\_type] can have the following values:

internal

Tests the SerDes. This is the default. The port must be in diagnostics mode to perform this test.

external

Tests both the SerDes and SFP. The port must be in diagnostics mode to perform this test, and a loopback plug must be installed in the SFP.

online

Tests one online port.

**cancel**

Cancels the online test in progress.

**status**

Displays the status of a test in progress, or if there is no test in progress, the status of the test that was executed last.

**Examples** To run an internal (SerDes) or external (SFP) port test, do the following:

1. To start an admin session, enter the following command and press the Enter key.

```
admin start
```

2. Place the port in Diagnostics mode, enter the following command (x = port number) and press the Enter key.

```
set port x state diagnostics
```

3. Choose the type of port loopback test to run:
  - To run an internal loopback test, enter the following:

```
test x internal
```
  - To run an external loopback test, insert a loopback plug into the SFP on the selected port, then enter the following command:

```
test x external
```
4. A series of test parameters are displayed on the screen. Press the Enter key to accept each default parameter value, or type a new value for each parameter and press the Enter key. The TestLength parameter is the number of frames sent, the FrameSize (256 byte maximum in some cases) parameter is the number of bytes in each frame, and the DataPattern parameter is the pattern in the payload.
5. After the test type has been chosen and the command executed, a message on the screen will appear detailing the test results.
6. After the test is run, put the port back into online state by entering the following command (*x* = port number) and pressing the Enter key.

```
set port x state online
```
7. To verify port is back online, enter the following command and press the Enter key. The contents of the AdminState field should display be “Online”.

```
show port x
```

The online loopback (node-to-node) test can test only one port at a time, and that port must be online and connected to a remote device. To run the online loopback test, do the following:

1. To start an admin session, enter the following command and press the Enter key.

```
admin start
```
2. To run the online loopback test, enter the following command and press the Enter key.

```
test port x online
```



3. A series of test parameters are displayed on the screen. Press the Enter key to accept each default parameter value, or type a new value for each parameter and press the Enter key. The TestLength parameter is the number of frames sent, the FrameSize (256 byte maximum in some cases) parameter is the number of bytes in each frame, and the DataPattern parameter is the pattern in the payload. Before running the test, make sure that the device attached to the port can handle the test parameters.

```
SANbox2 (admin) #> test x online
```

```
A list of attributes with formatting and current values will follow. Enter a new value or simply press the ENTER key to accept the default value. If you wish to terminate this process before reaching the end of the list press 'q' or 'Q' and the ENTER key to do so.
```

```
TestLength      (decimal value, 1-4294967295)  [100   ]
FrameSize       (decimal value, 36-2148)      [256   ]
DataPattern     (32-bit hex value or 'Default') [Default]
StopOnError     (True/False)                  [False ]
Do you want to start the online test? (y/n) [n]
```

4. After all parameter values are defined, type Y and press Enter to start the test.

---

## Uptime Command

Displays the elapsed time since the switch was last reset and reset method.

**Authority** User

**Syntax** `uptime`

**Examples** The following is an example of the Uptime command:

```
SANbox2 #> uptime
```

```
Elapsed up time : 0 day(s), 2 hour(s), 28 min(s), 44 sec(s)
```

```
Reason last reset: NormalReset
```

## User Command

Administers or displays user accounts.

**Authority** Admin. The List keyword is available with User authority.

**Syntax** **user**  
accounts  
add  
delete [account\_name]  
list

**Keywords** **accounts**  
Displays all user accounts that exist on the switch.

**add**  
Add a user account to the switch. After this command is executed, the administrator will be prompted for the information needed to establish the user account. A switch can have a maximum of 15 user accounts. Account names are limited to 15 characters; passwords are limited to 31 characters.

**delete [account\_name]**  
Deletes the account name given by [account\_name] from the switch.

**list**  
Displays the list of users currently logged in and their session numbers. Provides the same function as the Show Users command. This keyword is valid for User authority and does not require an admin session.

**Examples** The following is an example of the User Accounts command:

```
SANbox2 (admin) #> user accounts
```

```
Current list of user accounts
-----
admin      (admin authority = True)
user1     (admin authority = False)
user2     (admin authority = False)
user3     (admin authority = True)
```

The following is an example of the User Add command:

```
SANbox2 (admin) #> user add

    Press 'q' and the ENTER key to abort this command.

account name (1-15 chars)      : user3
account password (4-20 chars)  :

please confirm account password:

should this account have admin authority? (y/n) [n] : y

OK to add user account 'user3' with admin authority?
Please confirm (y/n): [n] y
```

The following is an example of the User Delete command:

```
SANbox2 (admin) #> user del user3

The user account will be deleted. Please confirm (y/n): [n] y
```

The following is an example of the User List command:

```
SANbox2 (admin) #> user list
Current list of users logged in
-----
snmp@OB-session1, logged in since: Mon Apr 21 09:20:38 2003
snmp@IB-session2, logged in since: Mon Apr 21 09:20:38 2003
admin@IB-session3, logged in since: Mon Apr 21 09:20:56 2003
admin@IB-session4, logged in since: Mon Apr 21 09:20:56 2003
admin@OB-session5, logged in since: Mon Apr 21 09:33:52 2003
admin@OB-session10, logged in since: Mon Apr 21 10:11:36 2003 (in admin mode)
admin@OB-session11, logged in since: Mon Apr 21 11:01:09 2003
admin@IB-session12, logged in since: Mon Apr 21 11:42:11 2003
admin@OB-session14, logged in since: Mon Apr 21 13:09:19 2003
root@OB-session15, logged in since: Mon Apr 21 13:20:03 2003
```

## Whoami Command

Displays the account name, session number, and switch domain ID for the Telnet session.

**Authority** User

**Syntax** **whoami**

**Examples** The following is an example of the Whoami command:

```
SANbox2 #> whoami
```

```
User name:          admin@session2
Switch name:        SANbox2
Switch domain ID:  1 <0x1>
```

---

## Zone Command

Manages zones and zone membership on a switch.

**Authority** Admin authority and a Zoning Edit session. Refer to the ["Zoning Command" on page B-77](#) for information about starting a Zoning Edit session. The List, Members, and Zonesets keywords are available with User authority and do not require a Zoning Edit session.

**Syntax**

**zone**

- add [zone] [members]
- copy [zone\_source] [zone\_destination]
- create [zone]
- delete [zone]
- list
- members [zone]
- remove [zone] [members]
- rename [zone\_old] [zone\_new]
- type [zone] [*zone\_type*]
- zonesets [zone]

**Keywords** **add [zone] [members]**  
Specifies one or more ports/devices given by [members] to add to the zone named [zone]. A zone can have a maximum of 256 members. [members] can have one of the following formats:

- Domain ID and port number pair (Domain ID, Port Number). Domain IDs and port numbers are in decimal. Ports are numbered beginning with 0.
- 6-character hexadecimal device Fibre Channel address (hex)
- 16-character hexadecimal worldwide port name (WWPN) with the format xx:xx:xx:xx:xx:xx:xx:xx.
- Alias name

The application verifies that the [members] format is correct, but does not validate that such a port exists.

**copy [zone\_source] [zone\_destination]**

Creates a new zone named [zone\_destination] and copies the membership into it from the zone given by [zone\_source].

**create [zone]**

Creates a zone with the name given by [zone]. An zone name must begin with a letter and be no longer than 64 characters. Valid characters are 0-9, A-Z, a-z, \_, and -. The zoning database supports a maximum of 1000 zones.

**delete [zone]**

Deletes the specified zone given by [zone] from the zoning database. If the zone is a member of the active zone set, the zone will not be removed from the active zone set until the active zone set is deactivated.

**list**

Displays a list of all zones and the zone sets of which they are members. This keyword is valid for User authority and does not require a zoning edit session.

**members [zone]**

Displays all members of the zone given by [zone]. This keyword is available with User authority and does not require a Zoning Edit session.

**remove [zone] [members]**

Removes the ports/devices given by [members] from the zone given by [zone]. [members] can have one of the following formats:

- Domain ID and port number pair (Domain ID, Port Number). Domain IDs and port numbers are in decimal. Ports are numbered beginning with 0.
- 6-character hexadecimal device Fibre Channel address (hex)
- 16-character hexadecimal worldwide port name (WWPN) with the format xx:xx:xx:xx:xx:xx:xx:xx.
- Alias name

**rename [zone\_old] [zone\_new]**

Renames the zone given by [zone\_old] to the zone given by [zone\_new].

**type [zone] [zone\_type]**

Specifies the zone type given by [zone\_type] to be assigned to the zone name given by [zone]. If you omit the [zone\_type], the system displays the zone type for the zone given by [zone]. [zone\_type] can be one of the following:

soft

Name server zone

hardACL

Access control list hard zone. This keyword is case sensitive.

hardVPF

Virtual private fabric hard zone. This keyword is case sensitive.

**zonesets [zone]**

Displays all zone sets of which the zone given by [zone] is a member. This keyword is available with User authority and does not require a Zoning Edit session.

**Examples** The following is an example of the Zone List command:

```
SANbox2 #> zone list

Zone          ZoneSet
-----
wnn_b0241f
              zone_set_1

wnn_23bd31
              zone_set_1

wnn_221416
              zone_set_1

wnn_2215c3
              zone_set_1

wnn_0160ed
              zone_set_1

wnn_c001b0
              zone_set_1

wnn_401248
              zone_set_1

wnn_02402f
              zone_set_1

wnn_22412f
              zone_set_1
```

The following is an example of the Zone Members command:

```
SANbox2 #> zone members wnn_b0241f

Current List of Members for Zone: wnn_b0241f
-----
50:06:04:82:bf:d2:18:c2
50:06:04:82:bf:d2:18:d2
21:00:00:e0:8b:02:41:2f
```



The following is an example of the Zone Zonesets command:

```
SANbox2 #> zone zonesets zone1
```

```
Current List of ZoneSets for Zone: wwn_b0241f
```

```
-----
```

```
zone_set_1
```

---

## Zoneset Command

Manages zone sets and zone set membership across the fabric.

**Authority** Admin authority and a Zoning Edit session. Refer to the ["Zoning Command" on page B-77](#) for information about starting a Zoning Edit session. The Active, List, and Zones keywords are available with User authority. You must close the Zoning Edit session before using the Activate and Deactivate keywords.

**Syntax**

```
zoneset  
  activate [zone_set]  
  active  
  add [zone_set] [zone_list]  
  copy [zone_set_source] [zone_set_destination]  
  create [zone_set]  
  deactivate  
  delete [zone_set]  
  list  
  remove [zone_set] [zone_list]  
  rename [zone_set_old] [zone_set_new]  
  zones [zone_set]
```

**Keywords**

**activate [zone\_set]**  
Activates the zone set given by [zone\_set]. This keyword deactivates the active zone set. Close the Zoning Edit session before using this keyword.

**active**  
Displays the name of the active zone set. This keyword is available with User authority and does not require a Zoning Edit session.

**add [zone\_set] [zone\_list]**  
Adds a list of zones and aliases given by [zone\_list] to the zone set given by [zone\_set]. Zone and alias names are delimited by spaces in [zone\_list]. This keyword requires a Zoning Edit session.

**copy [zone\_set\_source] [zone\_set\_destination]**  
Creates a new zone set named [zone\_set\_destination] and copies into it the membership from the zone set given by [zone\_set\_source]. This keyword requires a Zoning Edit session.

**create [zone\_set]**  
Creates the zone set with the name given by [zone\_set]. A zone set name must begin with a letter and be no longer than 64 characters. Valid characters are 0-9, A-Z, a-z, \_, and -. This keyword requires a Zoning Edit session. The zoning database supports a maximum of 256 zone sets.

**deactivate**  
Deactivates the active zone set. Close the Zoning Edit session before using this keyword.

**delete [zone\_set]**

Deletes the zone set given by [zone\_set]. If the specified zone set is active, the command is suspended until the zone set is deactivated. This keyword requires a Zoning Edit session.

**list**

Displays a list of all zone sets. This keyword is available with User authority and does not require a Zoning Edit session.

**remove [zone\_set] [zone\_list]**

Removes a list of zones given by [zone\_list] from the zone set given by [zone\_set]. Zone names are delimited by spaces in [zone\_list]. If [zone\_set] is the active zone set, the zone will not be removed until the zone set has been deactivated. This keyword requires a Zoning Edit session.

**rename [zone\_set\_old] [zone\_set\_new]**

Renames the zone set given by [zone\_set\_old] to the name given by [zone\_set\_new]. You can rename the active zone set. This keyword requires a Zoning Edit session.

**zones [zone\_set]**

Displays all zones that are members of the zone set given by [zone\_set]. This keyword is available with User authority and does not need a Zoning Edit session.

**Notes**

- A zone set must be active for its definitions to be applied to the fabric.
- Only one zone set can be active at one time.
- A zone can be a member of more than one zone set.

**Examples**

The following is an example of the Zoneset Active command:

```
SANbox2 #> zoneset active
Active ZoneSet Information
-----
ActiveZoneSet      Beta
LastActivatedBy    Remote
LastActivatedOn    Mon Apr 21 09:20:56 2003
```

The following is an example of the Zoneset List command:

```
SANbox2 #> zoneset list

Current List of ZoneSets
-----

alpha
beta
```

---

The following is an example of the Zoneset Zones command:

```
SANbox2 #> zoneset zones ssss
```

```
Current List of Zones for ZoneSet: ssss
```

```
-----
```

```
zone1
```

```
zone2
```

```
zone3
```

## Zoning Command

Opens a Zoning Edit session in which to create and manage zone sets and zones. Refer to the ["Zone Command" on page B-70](#) and the ["Zoneset Command" on page B-74](#).

**Authority** Admin. The List keyword is available with User authority.

**Syntax** **zoning**  
active  
cancel  
clear  
edit  
history  
limits  
list  
restore  
save

**Keywords** **active**  
Displays membership information for the active zone set including member zones and zone members.

**cancel**  
Closes the current Zoning Edit session. Any unsaved changes are lost.

**clear**  
Clears all inactive zone sets from the volatile edit copy of the zoning database. This keyword does not affect the non-volatile zoning database. However, if you enter the Zoning Clear command followed by the Zoning Save command, the non-volatile zoning database will be cleared from the switch.

**Note:** The preferred method for clearing the zoning database from the switch is the Reset Zoning command.

**edit**  
Opens a Zoning Edit session.

**history**  
Displays a history of zoning modifications including the following:

- Time of the most recent zone set activation or deactivation and the user who performed it
- Time of the most recent modifications to the zoning database and the user who made them.
- Checksum for the zoning database

**limits**

Displays the maximum limits imposed on the zoning database for the number of zone sets, zones, aliases, members per zone, members per alias, and total members.

**list**

Lists all fabric zoning definitions. This keyword is available with User authority.

**restore**

Reverts the changes to the zoning database that have been made during the current Zoning Edit session since the last Zoning Save command was entered.

**save**

Saves changes made during the current Zoning Edit session. The system will inform you that the zone set must be activated to implement any changes. This does not apply if you entered the Zoning Clear command during the Zoning Edit session.

**Examples**

The following is an example of the Zoning Edit command:

```
SANbox2 #> admin start

SANbox2 (admin) #> zoning edit

SANbox2 (admin-zoning) #>
.
.
SANbox2 (admin-zoning) #> zoning cancel

Zoning edit mode will be canceled. Please confirm (y/n): [n] y

SANbox2 (admin) #> admin end
```

The following is an example of the Zoning List command:

```
SANbox2 #> zoning list

Active ZoneSet Information

ZoneSet      Zone      ZoneMember
-----
wwn
                wwn_b0241f
                        50:06:04:82:bf:d2:18:c2
                        50:06:04:82:bf:d2:18:d2
                        21:00:00:e0:8b:02:41:2f

                wwn_23bd31
```

```
50:06:04:82:bf:d2:18:c2
50:06:04:82:bf:d2:18:d2
10:00:00:00:c9:23:bd:31
```

wwn\_221416

```
50:06:04:82:bf:d2:18:c2
50:06:04:82:bf:d2:18:d2
10:00:00:00:c9:22:14:16
```

wwn\_2215c3

```
50:06:04:82:bf:d2:18:c2
50:06:04:82:bf:d2:18:d2
10:00:00:00:c9:22:15:c3
```

Configured Zoning Information

| ZoneSet | Zone       | ZoneMember              |
|---------|------------|-------------------------|
| -----   |            |                         |
| wwn     |            |                         |
|         | wwn_b0241f |                         |
|         |            | 50:06:04:82:bf:d2:18:c2 |
|         |            | 50:06:04:82:bf:d2:18:d2 |
|         |            | 21:00:00:e0:8b:02:41:2f |
|         | wwn_23bd31 |                         |
|         |            | 50:06:04:82:bf:d2:18:c2 |
|         |            | 50:06:04:82:bf:d2:18:d2 |
|         |            | 10:00:00:00:c9:23:bd:31 |
|         | wwn_221416 |                         |
|         |            | 50:06:04:82:bf:d2:18:c2 |
|         |            | 50:06:04:82:bf:d2:18:d2 |
|         |            | 10:00:00:00:c9:22:14:16 |
|         | wwn_2215c3 |                         |
|         |            | 50:06:04:82:bf:d2:18:c2 |
|         |            | 50:06:04:82:bf:d2:18:d2 |
|         |            | 10:00:00:00:c9:22:15:   |

---

## Notes



# Glossary

## **Activity LED**

A port LED that indicates when frames are entering or leaving the port.

## **Alias**

A collection of objects that can be zoned together. An alias is not a zone, and can not have a zone or another alias as a member.

## **AL\_PA**

Arbitrated Loop Physical Address

## **Arbitrated Loop**

A Fibre Channel topology where ports use arbitration to establish a point-to-point circuit.

## **Arbitrated Loop Physical Address (AL\_PA)**

A unique one-byte valid value assigned during loop initialization to each NL\_Port on a Loop.

## **ASIC**

Application Specific Integrated Circuit

## **BootP**

A type of network server.

## **Buffer Credit**

A measure of port buffer capacity equal to one frame.

## **Class 2 Service**

A service which multiplexes frames at frame boundaries to or from one or more N\_Ports with acknowledgment provided.

## **Class 3 Service**

A service which multiplexes frames at frame boundaries to or from one or more N\_Ports without acknowledgment.

## **Domain ID**

User defined name that identifies the switch in the fabric.

## **E\_Port**

Expansion port. A switch port that connects to another FC-SW-2 compliant switch.

## **Expansion Port**

See E\_Port.

## **Fabric Management Switch**

The switch through which the fabric is managed.

## **Fabric Name**

User defined name associated with the file that contains user list data for the fabric.

## **Fan Fail LED**

An LED that indicates that a cooling fan in the switch is operating below standard.

## **FC-PLDA**

Fibre Channel Private Loop Direct Attach

## **Flash Memory**

Memory on the switch that contains the chassis control firmware.

**Frame**

Data unit consisting of a start-of-frame (SOF) delimiter, header, data payload, CRC, and an end-of-frame (EOF) delimiter.

**FRU**

Field Replaceable Unit

**Heartbeat LED**

A chassis LED that indicates the status of the internal switch processor and the results of the Power-On Self-Test.

**Initiator**

The device that initiates a data exchange with a target device.

**In-Order-Delivery**

A feature that requires that frames be received in the same order in which they were sent.

**Input Power LED**

A chassis LED that indicates that the switch logic circuitry is receiving proper DC voltages.

**IP**

Internet Protocol

**LIP**

Loop Initialization Primitive sequence

**Logged-In LED**

A port LED that indicates device login or loop initialization status.

**Management Information Base**

A set of guidelines and definitions for the Fibre Channel functions.

**Management Workstation**

PC workstation that manages the fabric through the fabric management switch.

**MIB**

Management Information Base

**MSEnable**

Determines whether GS-3 management server commands will be accepted on the port. It can be used to prevent in-band management of the switch on any or all ports. (True / False)

**NL\_Port**

Node Loop Port. A Fibre Channel device port that supports arbitrated loop protocol.

**N\_Port**

Node Port. A Fibre Channel device port in a point-to-point or fabric connection.

**Output Power LED**

A power supply LED that indicates that the power supply is providing DC voltage to the switch.

**Over Temperature LED**

A chassis LED or a power supply LED that indicates that the switch or power supply is overheating.

**POST**

Power On Self Test

**Power On Self Test (POST)**

Diagnostics that the switch chassis performs at start up.

**Private Device**

A device that can communicate only with other devices on the same loop.

---

**Private Loop**

A loop of private devices connected to a single switch port.

**SANbox Manager**

Switch management application.

**SFF**

Small Form-Factor transceiver.

**SFP**

Small Form-Factor Pluggable. A transceiver device, smaller than a GigaBit Interface Converter, that plugs into the Fibre Channel port.

**Small Form Factor**

A transceiver device, smaller than a GigaBit Interface Converter, that is permanently attached to the circuit board.

**Small Form-Factor Pluggable**

A transceiver device, smaller than a GigaBit Interface Converter, that plugs into the Fibre Channel port.

**SNMP**

Simple Network Management Protocol

**Target**

A storage device that responds to an initiator device.

**VCCI**

Voluntary Control Council for Interference

**Worldwide Name (WWN)**

A unique 64-bit address assigned to a device by the device manufacturer.

**WWN**

Worldwide Name

**Zone**

A set of ports or devices grouped together to control the exchange of information.

**Zone Set**

A set of zones grouped together. The active zone set defines the zoning for a fabric.

## Notes

# Index

## Numerics

10/100 Base-T straight cable 4-8

## A

access 3-8  
Access Control List zone 3-9  
account name B-1, B-69  
    description 3-11  
    display B-69  
    ftp 5-3  
    maintenance mode 5-12  
Activity LED 2-6  
Admin authority 3-11, B-3  
Admin command B-4  
administrative state  
    port B-37  
    switch B-25  
air flow 2-10, A-4  
alarm  
    configuration B-29  
    configuration display B-53  
    log B-24, B-43  
alias  
    add members B-5  
    copy B-5  
    create B-5  
    delete B-5  
    delete members B-6  
    display list B-5  
    display members B-6  
    rename B-6  
Alias command B-5  
altitude A-4  
Arbitrated Loop Physical Address 3-1, B-37  
authority 3-11

## B

bandwidth 3-7  
beacon B-24

brackets 4-2, 4-4  
broadcast B-43  
buffer credit 3-6, A-2

## C

cable  
    10/100 Base-T 4-8  
    10/100 Base-T crossover cable 4-8  
    fibre optic 3-1  
    null modem F/F DB9 4-8  
cascade topology 3-3  
chassis  
    air flow A-4  
    diagnostics 5-9  
    LEDs 2-3  
    marking A-4  
    shock A-4  
    status B-43  
    vibration A-4  
classes of service A-1  
Command Line Interface B-1  
command syntax B-2  
commands B-3  
Config command B-7  
configuration  
    activate B-7  
    backup B-7  
    copy B-7  
    delete B-7  
    edit B-7  
    file 5-3  
    list B-7  
    remove 5-14  
    reset B-19  
    restore B-8  
    restore default 5-14  
    save B-8  
configuration file system error 2-2, 5-2  
controls 2-2  
credits 3-6, A-2

## D

Date command B-9  
device  
    cabling 4-16  
    description 3-1  
diagnostics 5-1, 5-9, A-2  
dimensions A-3  
distance 3-6  
domain ID 3-2, 5-6  
domain ID lock 3-2  
domains B-44  
donor port 3-6, B-44

## E

E\_Port 2-7, 5-6  
emissions standards A-4  
environmental  
    conditions 4-2  
    specifications A-4  
Ethernet  
    connection 4-9  
    direct connection 4-8  
    indirect connection 4-8  
    port 2-8  
event logging  
    by component B-34, B-56  
    by port B-35, B-56  
    by severity level B-56  
    display B-56  
    restore defaults B-35  
    save settings B-35  
    settings B-56  
    severity level B-35  
    start B-36  
    stop B-36  
external test B-63

## F

F\_Port 2-7  
fabric  
    aggregate bandwidth A-2  
    latency A-2  
    management 3-10, A-3

    management switch 2-8  
    management workstation 4-1  
    point-to-point bandwidth A-2  
    ports 2-7  
    security 3-11, 4-10  
factory defaults 5-14, B-19  
Fallback command B-10  
Fan Fail LED 2-3, 5-10  
fans 2-10, 6-4  
fatal error 5-1, 5-2  
fiber optic cable 3-1  
Fibre Channel  
    ports 2-4  
    protocols A-1  
field replaceable unit 6-1  
File Transfer Protocol 4-19, 5-3  
firmware  
    failure 5-2  
    fallback version B-10  
    image file B-13  
    install with CLI 4-18  
    install with FTP and CLI 4-19  
    install with SANbox Manager 4-17  
    list image files B-13  
    remove image files B-13  
    retrieve image file B-13  
    unpack image 5-13, B-13  
    version B-48  
FL\_Port 2-7  
flash memory 2-2, 4-20  
frame size A-2  
FRU - See Field Replaceable Unit  
FTP - See File Transfer Protocol

## G

G\_Port 2-7  
GBIC - See GigaBit Interface Converter  
generic ports 2-6  
Gigabit Interface Converter 3-1  
GL\_Port 2-6

## H

harmonics A-4

HBA - See Host Bus Adapter  
Heartbeat LED 2-4, 5-1  
Help command B-11  
History command B-12  
host bus adapter 3-1  
humidity 4-2, A-4  
HyperTerminal application 4-9

## I

Image command B-13  
immunity A-4  
Input Power LED 2-4, 5-10  
installation 4-2  
internal  
    firmware failure 5-2  
    test B-63

## L

laser specifications A-6  
latency 3-7, A-2  
LED  
    Activity 2-6  
    Fan Fail 2-3, 5-10  
    Heartbeat 2-4, 5-1  
    Input Power 2-4, 5-10  
    Logged-In 2-6, 5-5  
    Output Power 2-10, 5-11  
    Over Temperature (chassis) 2-3, 5-10  
    Over Temperature (power supply) 2-10, 5-11  
link state database B-44  
Lip command B-14  
log  
    archive B-34  
    clear B-34  
    copy 5-14  
    event B-34, B-56  
    power-on self test B-47  
logged in users B-48  
Logged-In LED 2-6, 5-5  
login limit B-1  
loop port B-14  
Loop Port Bypass B-37  
Loop Port Enable B-37

## M

maintainability A-2  
maintenance  
    blink pattern 5-2  
    exit 5-13  
    interface A-3  
    menu 5-13  
    mode 2-2, 5-2, 5-12  
    strategy A-2  
Maintenance button 2-2, 5-12  
management workstation 2-8, 4-8  
manufacturer information B-60  
marking A-4  
media type A-2  
memory  
    activity B-44  
    flash 2-2  
mesh topology 3-4  
minicom 4-10  
Multistage topology 3-5

## N

name server  
    display B-44  
    zone 3-9  
network  
    configuration reset B-19  
    interfaces B-44  
non-fatal error 5-1  
null modem F/F DB9 cable 4-8

## O

online test B-63  
Output Power LED 2-10, 5-11  
Over Temperature LED 2-3  
    chassis 2-3, 5-10  
    power supply 2-10, 5-11

## P

page break B-24  
Passwd command B-15  
password  
    change B-15

- file reset 5-14
  - maintenance mode 5-12
  - restore default 5-14
  - switch 3-11, B-15
  - user account B-1
  - performance 3-6
  - Ping command B-16
  - planning 3-1
  - port
    - administrative state B-37
    - buffer credits 3-6
    - configuration 4-16, B-26
    - configuration display B-53
    - counters B-37
    - diagnostics 5-5
    - Ethernet 2-8
    - external test B-63
    - Fibre Channel 2-4
    - generic 2-6
    - initialize B-19
    - internal test B-63
    - LEDs 2-5
    - loopback test B-63
    - maximum number of ports/users A-2
    - modes 2-6
    - online test B-63
    - operational information B-45
    - performance B-44, B-58
    - serial 2-8
    - speed A-2, B-37
  - POST - See Power On Self Test
  - power
    - cords 4-2
    - down switch 4-20
    - requirements 4-1
    - source loading A-3
    - supply 2-9, 6-3
    - switch 2-2
  - power on self test
    - description 5-1
    - log B-47
    - results 4-7
  - principal
    - priority 3-2
    - switch 3-2
  - Ps command B-17
- Q**
- Quit command B-18
- R**
- rack mount 4-3
  - recovering a switch 5-12
  - regulatory certifications A-4
  - remake filesystem 5-14
  - removal/replacement 6-1
  - Reset command B-19
  - RS-232 port 2-8
  - rubber feet 4-2
- S**
- safety standards A-4
  - SANbox Manager 2-11
  - SANbox Manager installation
    - Linux 4-12, 4-14
    - Solaris 4-13, 4-14
    - Windows 4-11, 4-14
  - scalability A-1
  - security 3-11, 4-10
  - serial port 2-8, 4-8, 4-9
  - Set command B-24
  - Set Config command B-26
  - Set Log command B-34
  - Set Port command B-37
  - Set Setup command B-38
  - SFP - See Small Form-Factor Pluggable
  - Show command B-43
  - Show Config command B-53
  - Show Log command B-56
  - Show Perf command B-58
  - Show Setup command B-60
  - Shutdown command B-62
  - Simple Network Management Protocol 2-11
    - configuration B-38
    - configuration display B-60
    - reset B-19
  - site requirements 4-1



small form-factor pluggable 2-5, 4-4, 6-2  
SNMP See - Simple Network Management Protocol  
soft zone 3-9  
steering B-47  
switch  
  administrative state B-25  
  configuration 4-15, B-28  
  configuration display B-53  
  initialize B-19  
  management 2-11  
  manufacturer information B-60  
  operational information B-48  
  power down 4-20  
  recovery 5-12  
  reset 2-2, 5-14, B-66  
  specifications A-1  
system  
  processor A-2  
system configuration  
  change B-39  
  display B-60

## T

table mount 4-3  
target device 2-7  
temperature 4-2, A-4, B-43  
Test command B-63  
time B-9  
timeout value 5-6  
TL\_Port  
  devices 2-7  
  name server registration 2-7  
  number of off-loop devices 2-7  
  private targets 2-7  
topology  
  cascade 3-3  
  mesh 3-4  
  Multistage 3-5  
transceiver 2-5, 4-4, 6-2  
translation entries list 2-7  
transmission rate 3-6, 3-7

## U

Uptime command B-66  
user  
  account 3-11, B-1  
  authority 3-11, B-3  
  interface A-2  
  logged in B-48  
User command B-67

## V

ventilation 2-10  
vibration A-4  
Virtual Private Fabric zone 3-10  
voltage  
  fluctuations A-4  
  operating A-3

## W

Whoami command B-69  
workstation 4-1, 4-8  
worldwide name 3-8  
WWN - See Worldwide Name

## Z

zone  
  access control list 3-9  
  add member port B-70  
  conflict 5-6  
  copy B-70  
  create B-70  
  definition 3-8  
  delete B-70  
  delete member port B-71  
  list B-71  
  list members B-71  
  name server 3-9  
  rename B-71  
  type B-71  
  virtual private fabric 3-10  
Zone command B-70  
zone set 3-8  
  activate B-74  
  active B-77

- add member zone B-74
- copy B-74
- create B-74
- deactivate B-19, B-74
- delete B-75
- delete member zone B-75
- display B-75
- display active B-74
- display members B-75
- display zones B-71
- rename B-75
- Zoneset command B-74
- zoning
  - configuration B-30
  - configuration display B-53
  - database 3-8, B-19
  - edit B-77
  - history B-77
  - limits 3-8, B-78
  - list definitions B-78
  - revert changes B-78
  - save edits B-78
- Zoning command B-77